



Date: _____ Type: _____

Client: _____

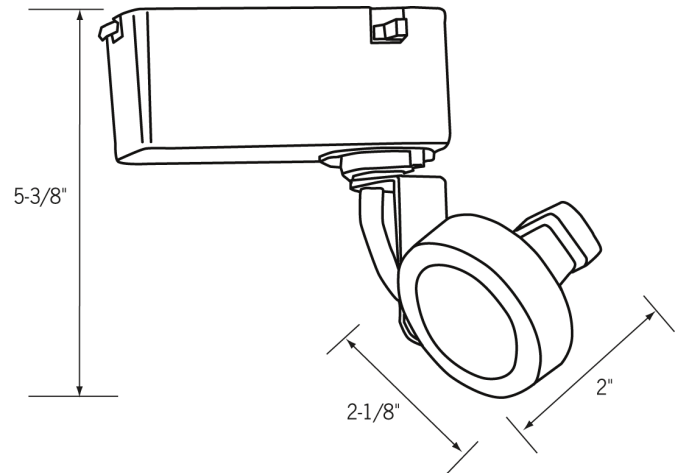
Project: _____

CTL816 Track Light

Low Voltage

Short Gimbal Track Fixture

- Designed for MR16 12V halogen lamps, these fixtures feature a "Sure-Set" yoke design to provide accurate aiming and hold the fixtures in position without unsightly knobs.
- Will allow two lenses maximum.
- All styles are equipped with a convenient on/off switch and polarity indicator.
- Each model must be used with LA2050N (120V-12V) transformer (sold separately). For Mono-point use LA1816.
- 50W MR16 Lamp (max) 12V recommended.
- On fixtures designed for use with MR16 lamps, a clear, tempered safety glass is provided. This safety glass should only be used with open MR16 lamps, and not used with MR16 lamps that contain an integral glass lens. This safety glass should be removed if use of MR16 with front glass is required.
- cULus listed.
- Suitable for dry locations.



Related Products



CLA2050N
Transformer



Track



CLA6 - End
feed w/ cord &
plug



Replacement
lamps



CLA2 - Mini-
connector



CLA3 -
Flexi-connector



CLA12 -
Straight/L
connector



Power strips



Display Supply & Lighting, Inc.

Display Supply & Lighting, Inc.
1247 Norwood Avenue
Itasca, IL 60174 USA
TF 800.468.1488
P 630.285.9660
F 630.285.9670
www.dslgroup.com

Copyright © 2013 Display Supply & Lighting, Inc. All rights reserved. All brand or product names are trademarks or registered trademarks of their respective owners. Due to continuous improvements and innovations, specifications may change without notice.