



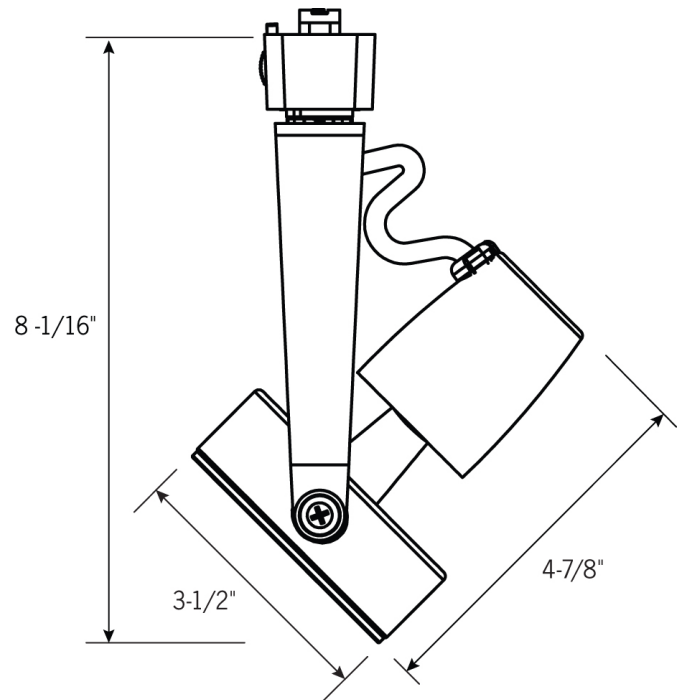
Date: _____ Type: _____
Client: _____
Project: _____

CTL8120 Track Light

PAR20 Front Relamping Gimbal

Line Voltage Track Fixture

- Two-plane gimbal design permits 360° horizontal swivel and 150° adjustability in the vertical plane for excellent aiming.
- Front re-lamping with grooved baffle inserts.
- "Sure Set" yoke holds the fixture firmly in place.
- Integral ON/OFF switch and track polarity indicator are standard.
- 50W PAR20 Lamp (max.) 120V, E26 medium base lamp recommended.
- cULus listed.
- Suitable for dry locations.



Related Products



Track



CLLA6 - End feed w/ cord & plug



Replacement lamps



CLLA2 - Mini connector



CLLA3 - Flexi-connector



CLLA12 - Straight/L connector



CLLA15 - T connector



Power strips



Display Supply & Lighting, Inc.

Display Supply & Lighting, Inc.
1247 Norwood Avenue
Itasca, IL 60174 USA
TF 800.468.1488
P 630.285.9660
F 630.285.9670
www.dslgroup.com

Copyright © 2013 Display Supply & Lighting, Inc. All rights reserved. All brand or product names are trademarks or registered trademarks of their respective owners. Due to continuous improvements and innovations, specifications may change without notice.