

Date: _____ Type: _____

Client: _____

Project: _____

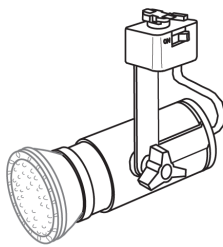
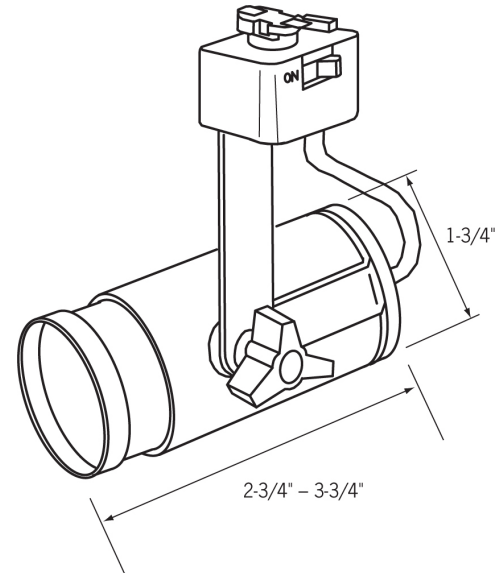


CTL1638 Track Light

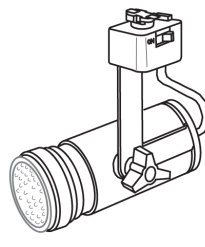
Line Voltage Universal Lampholder

Adjustable side swivel

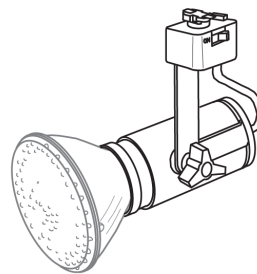
- Adjustable housing collar permits a perfect fit between the fixture and any size PAR lamp, including short- and long-neck PAR30 lamps.
- Three arm knob is easily tightened and accurately holds aiming position.
- Offset bracket design mounts fixture close to track.
- May be track mounted or used in mono-point applications with the LA-18 mono-point accessory.
- Precise, rigid aiming and full 350° rotation.
- Integral ON/OFF switch and track polarity indicator are standard.
- 50W PAR20, 75W PAR16, 75W PAR30 or 250W PAR38; 120V, E26 medium base - max. lamps
- Available in black or white
- cULus listed. • Suitable for dry locations.



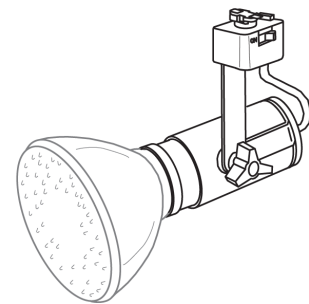
CTL1638 Shown with PAR20 Lamp



CTL1638 Shown with PAR16 Lamp



CTL1638 Shown with Short Neck PAR30 Lamp



CTL1638 Shown with PAR38 Lamp

Related Products



Track



CLLA6 - End feed w/ cord & plug



CLLA2 - Mini connector



CLLA3 - Flexi-connector



Replacement lamps



CLLA12 - Straight/L connector



Power strips



Display Supply & Lighting, Inc.

Display Supply & Lighting, Inc.
1247 Norwood Avenue
Itasca, IL 60174 USA
TF 800.468.1488
P 630.285.9660
F 630.285.9670
www.dslgroup.com

Copyright © 2013 Display Supply & Lighting, Inc. All rights reserved. All brand or product names are trademarks or registered trademarks of their respective owners. Due to continuous improvements and innovations, specifications may change without notice.