



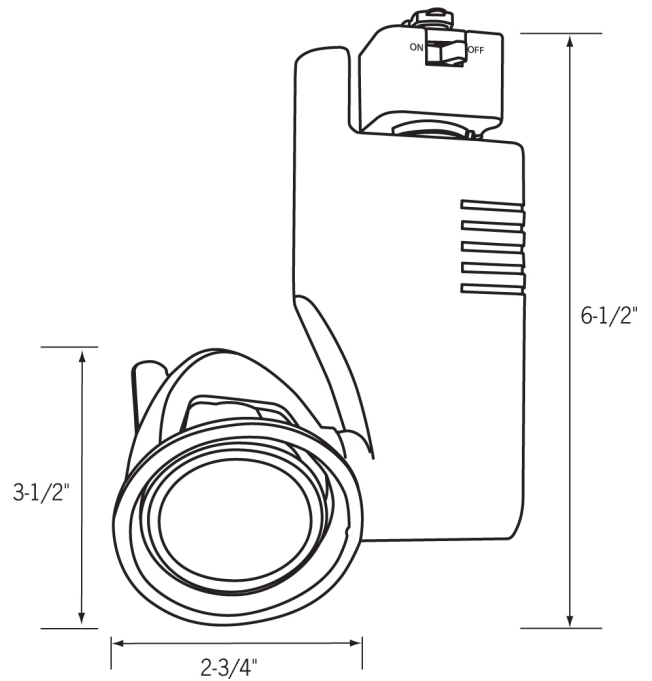
Date: _____ Type: _____
 Client: _____
 Project: _____

CTL8027/MR16 Track Light

Optica Series

MR16 Low Voltage Track Fixture

- Sleek lamp head and vertical housing design enhance almost any space.
- Die cast aluminum housing.
- Lockable, precision aiming adjustment. 360° horizontal rotation, 180° vertical rotation.
- Open sides provide convenient relamping and venting.
- Snap on front lens attachment (FA-8027) will accept two (2) lenses - (Sold separately)
- 75W MR16 max., GU5.3 base lamp recommended.
- On fixtures designed for use with MR16 lamps, a clear, tempered safety glass is provided. This safety glass should only be used with open MR16 lamps, and not used with MR16 lamps that contain an integral glass lens. This safety glass should be removed if use of MR16 with front glass is required.
- cULus listed.
- Suitable for dry locations.



Related Products



Track



CLA6 - End feed w/ cord & plug



Replacement lamps



CLA2 - Mini connector



CLA3 - Flexi-connector



CLA12 - Straight/L connector



CLA15 - T connector



Power strips



Display Supply & Lighting, Inc.
 1247 Norwood Avenue
 Itasca, IL 60143 USA
 TF 800.468.1488
 P 630.285.9660
 F 630.285.9670
 www.dslgroup.com

Copyright © 2016 Display Supply & Lighting, Inc. All rights reserved. All brand or product names are trademarks or registered trademarks of their respective owners. Due to continuous improvements and innovations, specifications may change without notice.