



Date: \_\_\_\_\_ Type: \_\_\_\_\_

Client: \_\_\_\_\_

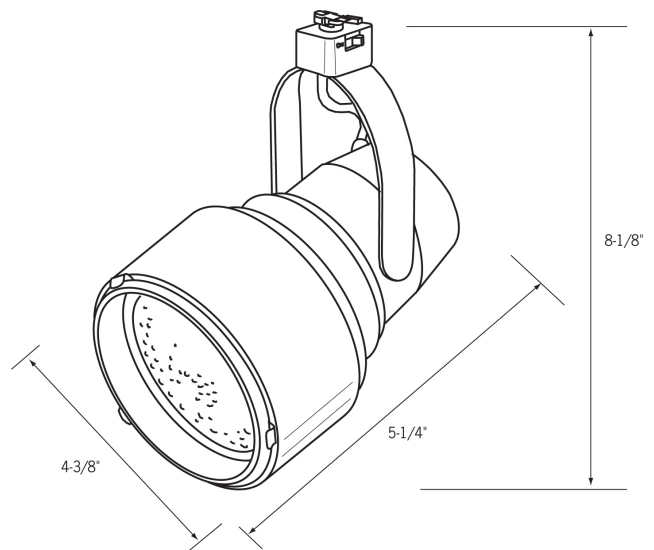
Project: \_\_\_\_\_

# CLCTL5030 Track Light

## PAR30

### Line Voltage Track Fixture

- Stepped back design creates a minimal size impression.
- Fixture design conceals lamp.
- Integral ON/OFF switch and track polarity indicator are standard.
- 50W PAR20 lamp (max).
- cULus listed.
- Suitable for dry locations.



### Related Products



Track



CLA6 - End feed w/ cord & plug



CLA2 - Mini connector



CLA3 - Flexi-connector



Replacement lamps



CLA12 - Straight/L connector



CLA15 - T connector



Power strips



Display Supply & Lighting, Inc.

Display Supply & Lighting, Inc.  
1247 Norwood Avenue  
Itasca, IL 60143 USA  
TF 800.468.1488  
P 630.285.9660  
F 630.285.9670  
www.dslgroup.com

Copyright © 2016 Display Supply & Lighting, Inc. All rights reserved. All brand or product names are trademarks or registered trademarks of their respective owners. Due to continuous improvements and innovations, specifications may change without notice.