



Date: _____ Type: _____

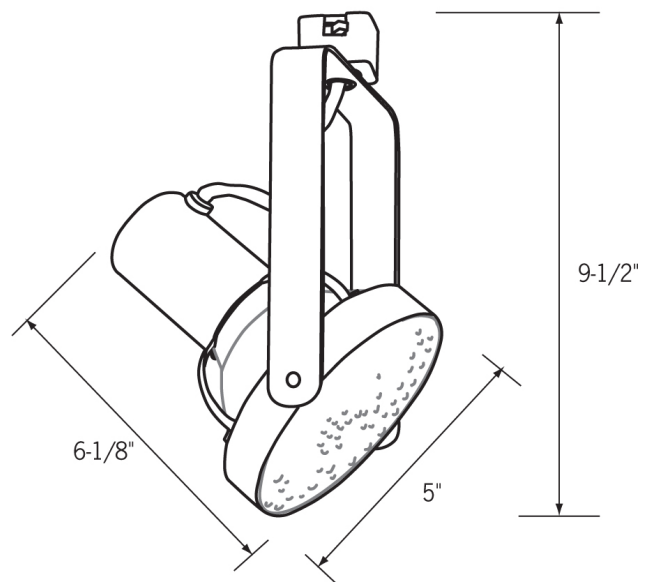
Client: _____

Project: _____

CLCTL2838N Track Light

Two-plane gimbal design
Line Voltage Track Fixture

- Two-plane gimbal design permits 360° horizontal swivel and 150° adjustability in the vertical plane for excellent aiming.
- “Sure-Set” yoke holds the fixture firmly in place.
- Integral ON/OFF switch and track polarity indicator are standard.
- Fixture will accept (1) LF40 lens by using FA-2838 black accessory mounting clips.
- 250W PAR38 Lamp (max.) 120V, E26 medium skirted base.
- UL listed fixture
- Suitable for dry locations.



Related Products



Track



CLA6 - End feed w/ cord & plug



CLA2 - Mini connector



CLA3 - Flexi-connector



Replacement lamps



CLA12 - Straight/L connector



CLA15 - T connector



Power strips



Display Supply & Lighting, Inc.

Display Supply & Lighting, Inc.
1247 Norwood Avenue
Itasca, IL 60143 USA
TF 800.468.1488
P 630.285.9660
F 630.285.9670
www.dslgroup.com

Copyright © 2016 Display Supply & Lighting, Inc. All rights reserved. All brand or product names are trademarks or registered trademarks of their respective owners. Due to continuous improvements and innovations, specifications may change without notice.