

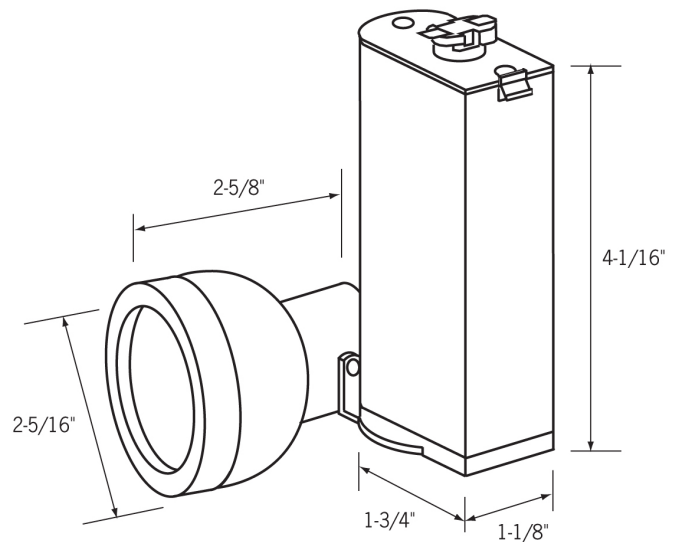


Date: _____ Type: _____
 Client: _____
 Project: _____

CTL1216T Track Light

Closed Back MR16 Track Fixture with Vertical Transformer - Low Voltage

- Simple styling; durable die-cast aluminum construction.
- Closed back MR16 bullet design for front lamp replacement.
- Adjustable to 180° horizontal rotation; 180° vertical rotation.
- Equipped with a regressed track adapter and polarity indicator.
- 50W MR16 Lamp (GU5.3 Base) (max) recommended.
- Electronic (120/12V) vertical transformer is included.
- On fixtures designed for use with MR16 lamps, a clear, tempered safety glass is provided. This safety glass should only be used with open MR16 lamps, and not used with MR16 lamps that contain an integral glass lens. This safety glass should be removed if use of MR16 with front glass is required.
- cULus listed.
- Suitable for dry locations.



Related Products



Track



CLA6 - End feed w/ cord & plug



Replacement lamps



CLA2 - Mini-connector



CLA3 - Flexi-connector



CLA12 - Straight/L connector



Power strips



Display Supply & Lighting, Inc.
 1247 Norwood Avenue
 Itasca, IL 60143 USA
 TF 800.468.1488
 P 630.285.9660
 F 630.285.9670
 www.dslgroup.com

Copyright © 2016 Display Supply & Lighting, Inc. All rights reserved. All brand or product names are trademarks or registered trademarks of their respective owners. Due to continuous improvements and innovations, specifications may change without notice.