



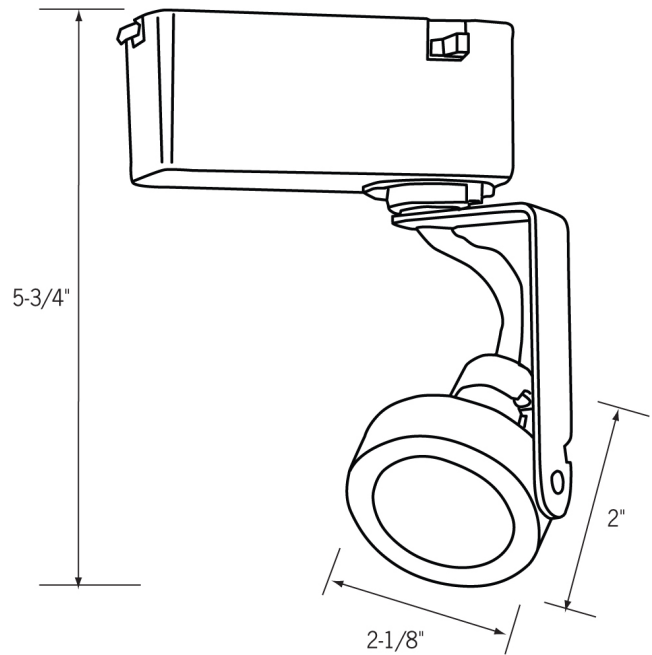
Date: _____ Type: _____
 Client: _____
 Project: _____

CTL8116 Track Light

Low Voltage

Long Gimbal Track Fixture

- Designed for MR16 12V halogen lamps.
- "Sure-Set" yoke design provides accurate aiming and holds fixture in position without unsightly knobs.
- All styles are equipped with a convenient on/off switch and polarity indicator.
- 75W MR16 (max) Lamp, 12V recommended.
- Must be used with LA2050N or LA2075N (120V/12V) transformer.
- For mono-point applications, use LA1816.
- On fixtures designed for use with MR16 lamps, a clear, tempered safety glass is provided. This safety glass should only be used with open MR16 lamps, and not used with MR16 lamps that contain an integral glass lens. This safety glass should be removed if use of MR16 with front glass is required.
- • cULus listed.
- • Suitable for dry locations.



Related Products

			
CLLA2050N Transformer	Track	CLLA6 - End feed w/ cord & plug	Replacement lamps
			
CLLA2 - Mini- connector	CLLA3 - Flexi-connector	CLLA12 - Straight/L connector	Power strips