



Date: \_\_\_\_\_ Type: \_\_\_\_\_

Client: \_\_\_\_\_

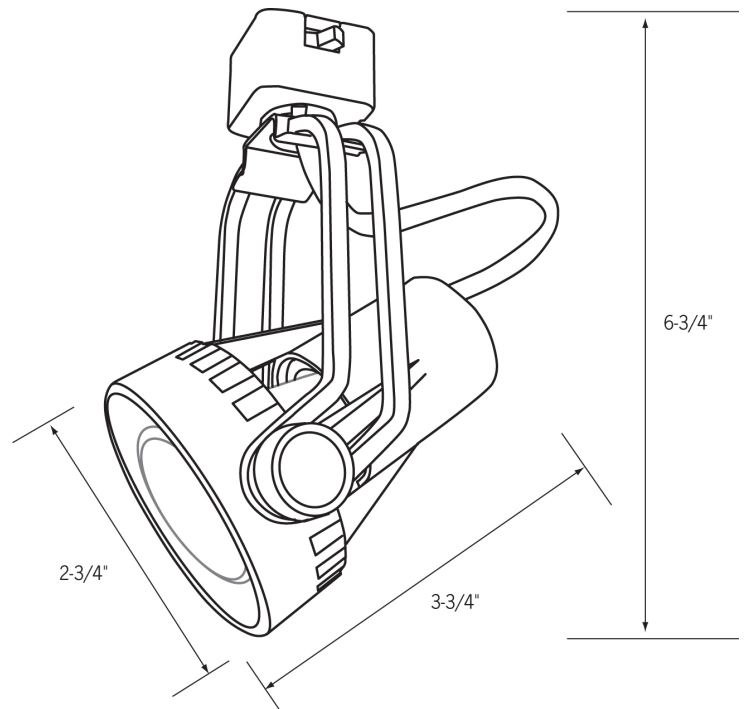
Project: \_\_\_\_\_

# CTL8016 Track Light

## PAR16

### Line Voltage Track Fixture

- Elegant patented design with the superior performance of halogen lamps. (Patent # D 345,616)
- Die-cast aluminum housing with open back design for cooler operation.
- Dual-rail yoke design provides a “hi-tech”, less bulky look.
- Sure-Set yoke for precise aiming without tools and full 350° rotation.
- See separate specification sheet for low voltage versions of this uniquely designed track fixture (CTL8016 & CTL8016/TAL).
- Uses line voltage (120V) lamps for versatility and convenience.
- 75W max. PAR16, E26 medium base lamp recommended.
- All fixtures are equipped with a convenient on/off switch and polarity indicator.
- cULus listed.
- Suitable for dry locations.



#### Related Products



CLA2050N Transformer



Track



CLA6 - End feed w/ cord & plug



Replacement lamps



CLA2 - Mini-connector



CLA3 - Flexi-connector



CLA12 - Straight/L connector



Power strips



Display Supply & Lighting, Inc.

Display Supply & Lighting, Inc.  
 1247 Norwood Avenue  
 Itasca, IL 60143 USA  
 TF 800.468.1488  
 P 630.285.9660  
 F 630.285.9670  
 www.dslgroup.com

Copyright © 2017 Display Supply & Lighting, Inc. All rights reserved. All brand or product names are trademarks or registered trademarks of their respective owners. Due to continuous improvements and innovations, specifications may change without notice.