



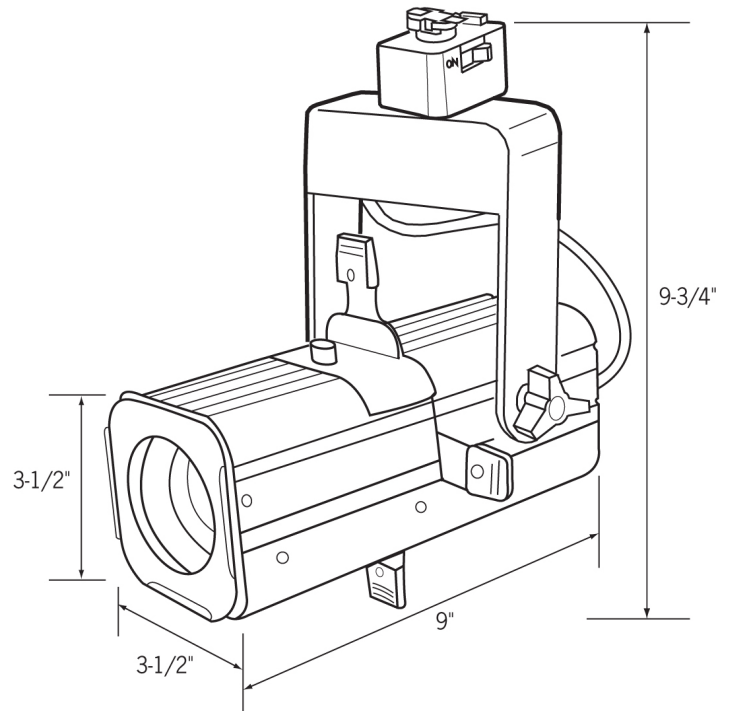
Date: _____ Type: _____
 Client: _____
 Project: _____

CTL7516 Track Light

75W MR16 Framing Projector

Low Voltage Track Fixture

- Distinctive extruded aluminum ribbed housing along with diecast aluminum components with variable focusing capability.
- Integral on/off switch and visible polarity indicator in the track adapter.
- The yoke has a precise "Sure-Set" aiming adjustment.
- The framing projector has beam angles ranging from approximately 10° to 35° plus field angles from 25° to 50°.
- Included with each fixture are the color frame (2-3/8" opening), pattern holder ("E" size, 1-1/4" opening), and four steel framing shutters.
- The shutters allow for beam forming capacity.
- Optional gobos are available (from others) to meet your design needs.
- Lamp is fully adjustable in three planes without tools to allow proper focusing.
- For further focusing control, the lenses are moveable within the fixture housing by means of an adjustable knob.
- (1) 75W max. MR-16 lamp, 2-pin GU5.3 base recommended.
- A clear, tempered safety glass is provided. This safety glass should only be used with open MR16 lamps, and not used with MR16 lamps that contain an integral glass lens. This safety glass should be removed if use of MR16 with front glass is required.
- Dimmable electronic low voltage transformer is concealed in the yoke assembly.
- cULus listed.
- Suitable for dry locations.



Related Products



Track



CLLA6 - End feed w/ cord & plug



Replacement lamps



CLLA2 - Mini-connector



CLLA3 - Flexi-connector



CLLA12 - Straight/L connector



Power strips



Display Supply & Lighting, Inc.

Display Supply & Lighting, Inc.
 1247 Norwood Avenue
 Itasca, IL 60143 USA
 TF 800.468.1488
 P 630.285.9660
 F 630.285.9670
 www.dslgroup.com

Copyright © 2016 Display Supply & Lighting, Inc. All rights reserved. All brand or product names are trademarks or registered trademarks of their respective owners. Due to continuous improvements and innovations, specifications may change without notice.