



Date: \_\_\_\_\_ Type: \_\_\_\_\_

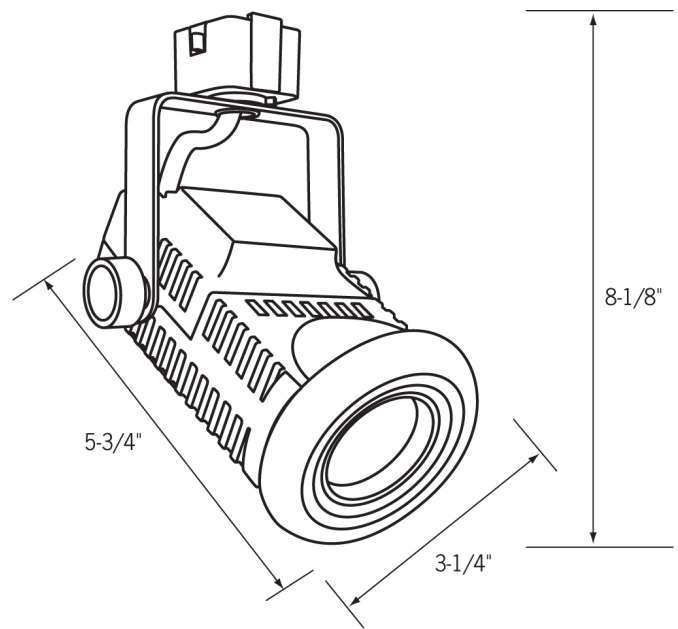
Client: \_\_\_\_\_

Project: \_\_\_\_\_

# CLCTL7116 Track Light

## LED Compatible Track Fixture with Magnetic Transformer

- LED compatible MR16 track fixture.
- Magnetic transformer is integrated into the fixture design for a clean look.
- Sculptured indentations around the housing provide a unique look and heat dissipation system.
- High quality die-cast aluminum housing.
- Baffled front is held in place by spring tension and slides off easily for lamp access.
- Rugged steel "Sure Set" yoke design for precise aiming without tools and full 350° rotation.
- Integral ON/OFF switch and track polarity indicator are standard.
- If a LED lamp is used, the glass lens must be removed from fixture.
- 50W MR16 Lamp or (1) MR16 LED Lamp, GU5.3 Base recommended
- This fixture can be used with a variety of MR16 LED lamps. However, with the variances in these lamps, we cannot be responsible, nor guarantee, that all MR16 LED lamps are universally compatible.
- A clear, tempered safety glass is provided. This safety glass should only be used with open MR16 lamps, and not used with MR16 lamps that contain an integral glass lens. This safety glass should be removed if use of MR16 with front glass is required.
- Integral 120/12V 50W Magnetic Class H Transformer.
- cULus listed.
- Suitable for dry locations.



### Related Products



Track



CLLA6 - End feed w/ cord & plug



CLLA2 - Mini connector



CLLA3 - Flexi-connector



Replacement lamps



CLLA12 - Straight/L connector



CLLA15 - T connector



Power strips



Display Supply & Lighting, Inc.

Display Supply & Lighting, Inc.  
1247 Norwood Avenue  
Itasca, IL 60143 USA  
TF 800.468.1488  
P 630.285.9660  
F 630.285.9670  
www.dslgroup.com

Copyright © 2016 Display Supply & Lighting, Inc. All rights reserved. All brand or product names are trademarks or registered trademarks of their respective owners. Due to continuous improvements and innovations, specifications may change without notice.