



Date: \_\_\_\_\_ Type: \_\_\_\_\_

Client: \_\_\_\_\_

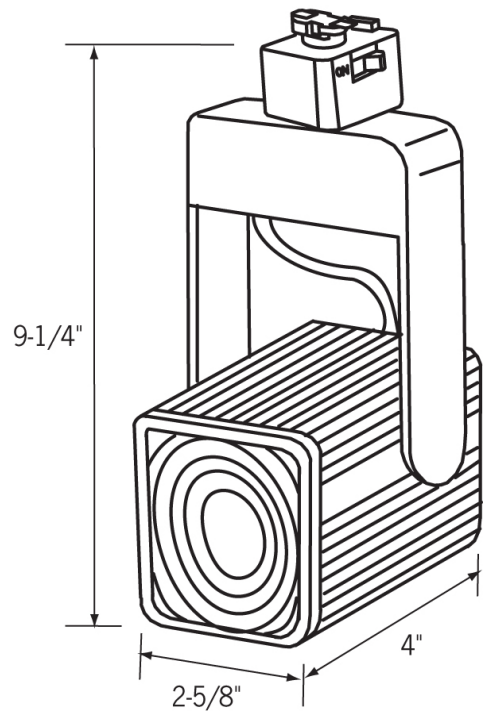
Project: \_\_\_\_\_

# CTL7016 Track Light

## Low Voltage

### Fluted Square Shape Track Fixture

- Contemporary styling for retail, commercial or residential applications.
- Cast fluted square model is designed for MR16 halogen lamps up to 50W.
- Black phenolic baffle assures maximum cut-off and visual comfort.
- Features a "Sure-Set" yoke design for precise, rigid aiming without unsightly knobs, and full 350° rotation.
- Integral ON/OFF switch and track polarity indicator are standard.
- 12V 50MR16 Lamp (max).
- A clear tempered safety glass is provided for fixtures designed for use with MR16 lamps. This safety glass should only be used with open MR16 lamps, and not used with MR16 lamps that contain an integral glass lens. This safety glass should be removed if use of MR16 with front glass is required.
- Solid State 120/12 Volt transformer is concealed in the yoke for maximum heat dissipation.
- Transformer is RFI shielded to FCC standards.
- Available in black or white
- cULus listed.
- Suitable for dry locations.



#### Related Products



Track



CLLA6 - End feed w/ cord & plug



Replacement Lamps



CLLA2 - Mini-connector



CLLA3 - Flexi-connector



CLLA12 - Straight/L connector



Power strips



Display Supply & Lighting, Inc.

Display Supply & Lighting, Inc.  
 1247 Norwood Avenue  
 Itasca, IL 60143 USA  
 TF 800.468.1488  
 P 630.285.9660  
 F 630.285.9670  
 www.dslgroup.com

Copyright © 2016 Display Supply & Lighting, Inc. All rights reserved. All brand or product names are trademarks or registered trademarks of their respective owners. Due to continuous improvements and innovations, specifications may change without notice.