



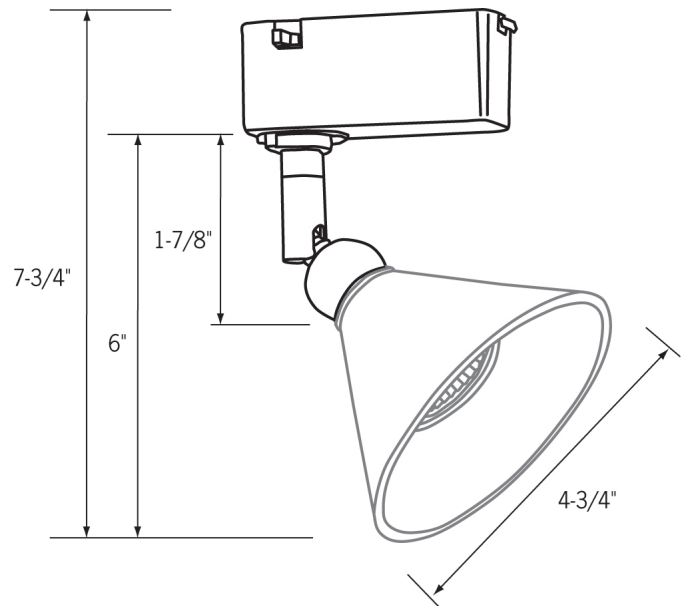
Date: _____ Type: _____
 Client: _____
 Project: _____

CTL616 Track Light

Adjustable Decorator

Low Voltage Track Fixture

- Specially created for use with 20-50W MR16 front glass lamps or 20-50W Bi-Pin T4 lamps.
- Must be used with an LA2050N track or LA1816 mono-point transformer.
- Decorative chrome ball provides stylish accent.
- 20-50W MR16 (front glass) lamp (max) 12V, or 20-50W Bi-Pin T4 lamp (max) 12V lamp recommended.
- On fixtures designed for use with MR16 lamps, a clear, tempered safety glass is provided. This safety glass should only be used with open MR16 lamps, and not used with MR16 lamps that contain an integral glass lens. This safety glass should be removed if use of MR16 with front glass is required.
- 50W transformer available in black and white.
- Dimensions: 4" L X 1-3/8" W X 1-5/8" H.
- Variety of glass shades available in decorator hues: LA1634, LA1635 or SL9006N.
- cULus listed.
- Suitable for dry locations.



Fixture shown with LA2050N transformer and LA1634 Glass Shade.
 *Transformer and Glass Shade sold separately.

Related Products



Track



CLA6 - End feed w/ cord & plug



Replacement lamps



CLA2 - Mini connector



CLA3 - Flexi-connector



CLA12 - Straight/L connector



LA2050 Transformer



Power strips



Display Supply & Lighting, Inc.

Display Supply & Lighting, Inc.
 1247 Norwood Avenue
 Itasca, IL 60143 USA
 TF 800.468.1488
 P 630.285.9660
 F 630.285.9670
 www.dslgroup.com

Copyright © 2016 Display Supply & Lighting, Inc. All rights reserved. All brand or product names are trademarks or registered trademarks of their respective owners. Due to continuous improvements and innovations, specifications may change without notice.