



Date: _____ Type: _____

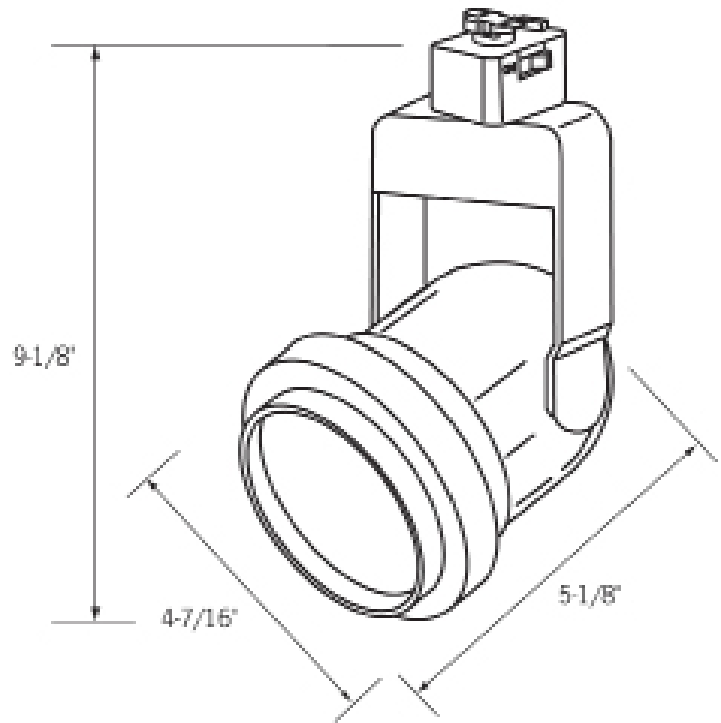
Client: _____

Project: _____

CTL536/111 Track Light

Classic Bell Spot Track Fixture

- New Decade style features an electronic transformer built into a yoke-mounted compartment.
- This spacing between lamp and transformer insures greater reliability by reducing heat in the transformer compartment.
- Lamp shielding is not required if the lamp manufacturer states their lamp is acceptable for an open fixture, per UL1598.
- Phillips and Sylvania offer low pressure lamps.
- The 4° “super spot” lamp is outstanding for display applications.
- All styles are equipped with a convenient on/off switch and polarity indicator.
- (1) 50W AR111 Lamp (max).
- cULus listed.
- Suitable for dry locations.



Related Products



Track



CLA6 - End feed w/ cord & plug



CLA2 - Mini-connector



CLA3 - Flexi-connector



CLA12 - Straight/L connector



Power strips



Display Supply & Lighting, Inc.

Display Supply & Lighting, Inc.
1247 Norwood Avenue
Itasca, IL 60143 USA
TF 800.468.1488
P 630.285.9660
F 630.285.9670
www.dslgroup.com

Copyright © 2016 Display Supply & Lighting, Inc. All rights reserved. All brand or product names are trademarks or registered trademarks of their respective owners. Due to continuous improvements and innovations, specifications may change without notice.