



Date: _____ Type: _____

Client: _____

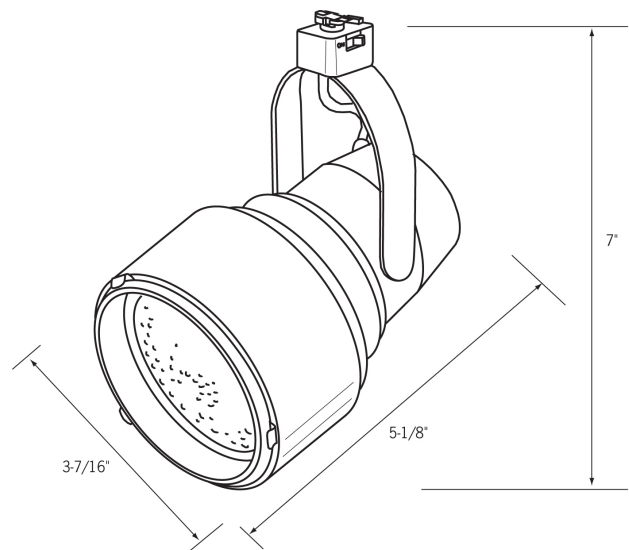
Project: _____

CLCTL5020 Track Light

PAR20

Line Voltage Track Fixture

- Stepped back design creates a minimal size impression.
- Fixture design conceals lamp.
- Integral ON/OFF switch and track polarity indicator are standard.
- 50W PAR20 lamp (max).
- cULus listed.
- Suitable for dry locations.



Related Products



Track



CLA6 - End feed w/ cord & plug



CLA2 - Mini connector



CLA3 - Flexi-connector



Replacement lamps



CLA12 - Straight/L connector



CLA15 - T connector



Power strips



Display Supply & Lighting, Inc.

Display Supply & Lighting, Inc.
1247 Norwood Avenue
Itasca, IL 60143 USA
TF 800.468.1488
P 630.285.9660
F 630.285.9670
www.dslgroup.com

Copyright © 2016 Display Supply & Lighting, Inc. All rights reserved. All brand or product names are trademarks or registered trademarks of their respective owners. Due to continuous improvements and innovations, specifications may change without notice.