

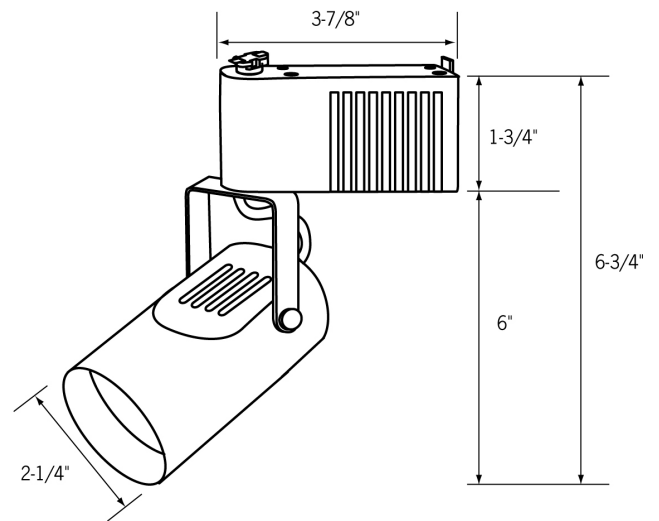


Date: _____ Type: _____
 Client: _____
 Project: _____

CTL316T Track Light

Eclipse Low Voltage Track Fixture with Transformer

- The cylinder design (aluminum housing) with slotted sides and a vented back give a high-tech look with sparkle.
- MR16 lamp (12V) and clear tempered safety lens are held in place by a metal spring clip that snaps into a regressed internal slot.
- Double steel yoke holds the fixture in position with two knobs.
- 358° aiming.
- For use with single circuit track only.
- (1) 50W MR16 lamp (max.), GU5.3 base.
- Solid state electronic transformer (120V/12V) encased in a polycarbonate transformer housing.
- cULus listed.
- Suitable for dry locations.



Related Products



CLLA2050N
Transformer



Track



CLLA6 - End
feed w/ cord &
plug



Replacement
lamps



CLLA2 - Mini-
connector



CLLA3 -
Flexi-connector



CLLA12 -
Straight/L
connector



Power strips



Display Supply & Lighting, Inc.

Display Supply & Lighting, Inc.
 1247 Norwood Avenue
 Itasca, IL 60143 USA
 TF 800.468.1488
 P 630.285.9660
 F 630.285.9670
 www.dslgroup.com

Copyright © 2016 Display Supply & Lighting, Inc. All rights reserved. All brand or product names are trademarks or registered trademarks of their respective owners. Due to continuous improvements and innovations, specifications may change without notice.