



Date: \_\_\_\_\_ Type: \_\_\_\_\_  
 Client: \_\_\_\_\_  
 Project: \_\_\_\_\_

# CTL1504 & CTL1504-P-WHT

## Track Fixture - Line Voltage

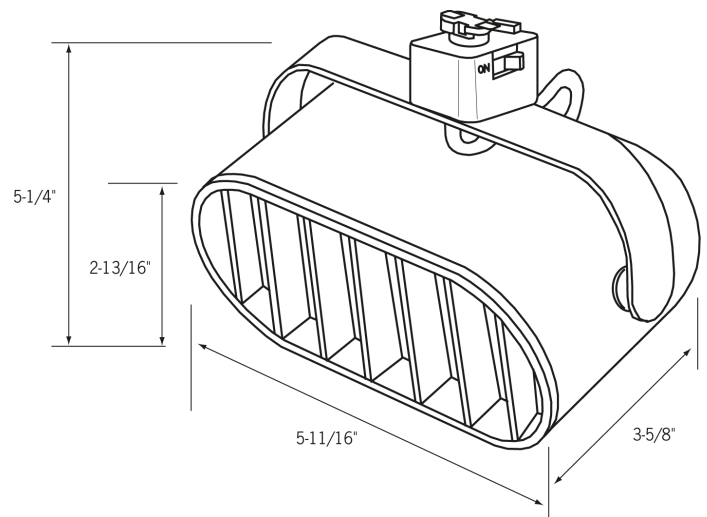
### Wall washer halogen



- Wall washing illumination with halogen T-4 frosted lamp
- Yoke mounted fixture has a wide range of adjustment
- 150 watt T-4 frosted halogen lamp recommended
- CTL1504 - Available in black or white with black louver
- CTL1504-P-WHT - Available in white with white louver
- UL listed fixture

#### Product Advantages:

- Versatile multidirectional line voltage fixture
- Wall washing light ideal to illuminate art galleries, retail displays, trade show walls, signage, etc.
- Holds desired position securely
- Great high output white light



#### Related Products

 Track	 CLA6 - End feed w/ cord & plug	 CLA2 - Mini connector	 CLA3 - Flexi-connector
 Replacement lamps	 CLA12 - Straight/L connector	 CLA15 - T Connector	 Power strips



Display Supply & Lighting, Inc.  
 1247 Norwood Avenue  
 Itasca, IL 60143 USA  
 TF 800.468.1488  
 P 630.285.9660  
 F 630.285.9670  
 www.dslgroup.com

Copyright © 2016 Display Supply & Lighting, Inc. All rights reserved. All brand or product names are trademarks or registered trademarks of their respective owners. Due to continuous improvements and innovations, specifications may change without notice.