



Date: _____ Type: _____

Client: _____

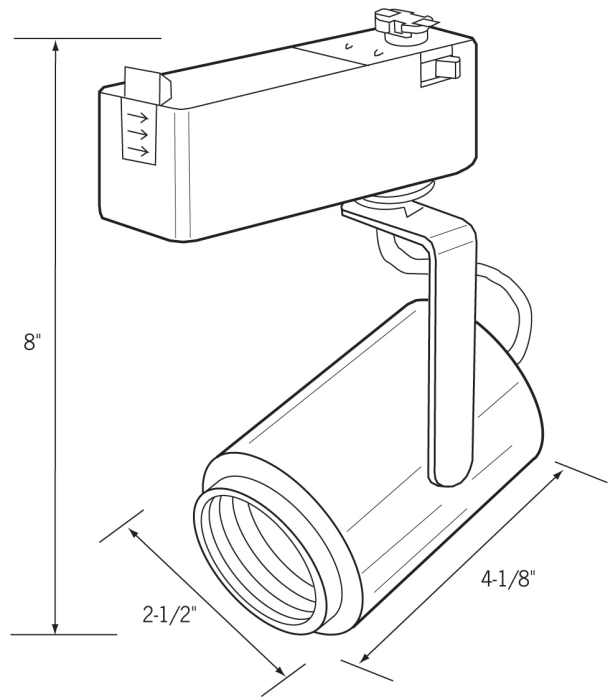
Project: _____

CTL116 Track Light

Low Voltage

Flat Back Cylinder Track Fixture

- Designed for MR16 halogen lamps and is ideal for residential, commercial, and retail lighting applications.
- Die-cast full cutoff baffle conceals lamp for visual comfort.
- This fixture features a rugged yoke for balanced fixture adjustment and full 350° rotation.
- All styles are equipped with a convenient on/off switch and polarity indicator.
- Must be used with track-mounted transformer LA2050N. For Mono-point use LA1816.
- 50W MR16 Lamp (max) 12V recommended
- May be used with a LVD300E Dimming Control.
- On fixtures designed for use with MR16 lamps, a clear, tempered safety glass is provided. This safety glass should only be used with open MR16 lamps, and not used with MR16 lamps that contain an integral glass lens. This safety glass should be removed if use of MR16 with front glass is required.
- Available in black or white
- cULus listed.
- Suitable for dry locations.



Related Products



CLA2050N
Transformer



Track



CLA6 - End
feed w/ cord &
plug



Replacement
lamps



CLA2 - Mini-
connector



CLA3 -
Flexi-connector



CLA12 -
Straight/L
connector



Power strips



Display Supply & Lighting, Inc.

Display Supply & Lighting, Inc.
1247 Norwood Avenue
Itasca, IL 60143 USA
TF 800.468.1488
P 630.285.9660
F 630.285.9670
www.dslgroup.com

Copyright © 2016 Display Supply & Lighting, Inc. All rights reserved. All brand or product names are trademarks or registered trademarks of their respective owners. Due to continuous improvements and innovations, specifications may change without notice.