



Date: \_\_\_\_\_ Type: \_\_\_\_\_

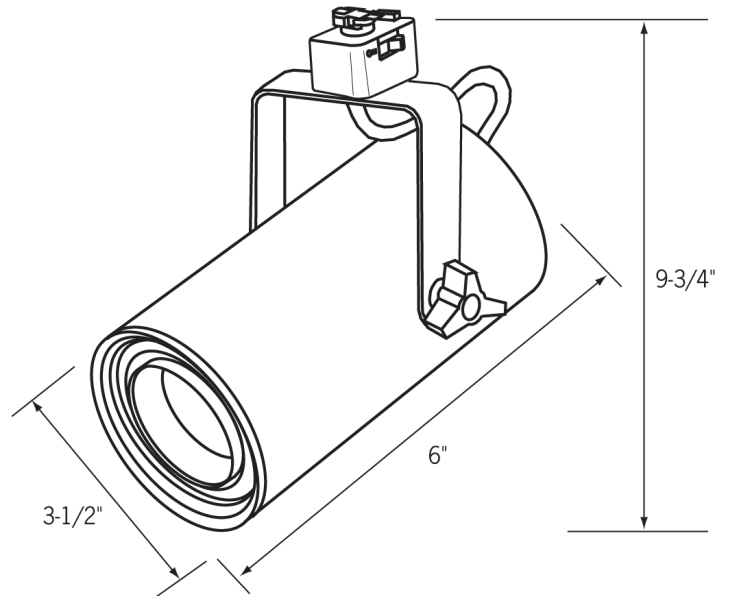
Client: \_\_\_\_\_

Project: \_\_\_\_\_

## CLCTL1116 Track Light

LED Compatible  
Flat Back Cylinder

- LED compatible MR16 track fixture.
- Ideal for residential, commercial, and retail lighting applications.
- Die-cast, full cutoff baffle conceals lamp for visual comfort.
- Rugged yoke for balanced fixture adjustment and full 350° rotation.
- Integral ON/OFF switch and track polarity indicator are standard.
- If LED lamp is used, the glass lens must be removed from fixture.
- 50W MR16 Lamp or MR16 LED Lamp, GU5.3 Base.
- This fixture can be used with a variety of MR16 LED lamps. However, with the variances in these lamps, we can not be responsible, nor guarantee, that all MR16 LED lamps are universally compatible.
- On fixtures designed for use with MR16 lamps, a clear, tempered safety glass is provided. This safety glass should only be used with open MR16 lamps, and not used with MR16 lamps that contain an integral glass lens. This safety glass should be removed if use of MR16 with front glass is required.
- Integral 120/12V 50W Magnetic Class H Transformer.
- cULus listed.
- Suitable for dry locations.



### Related Products



Track



CLA6 - End feed w/ cord & plug



CLA2 - Mini connector



CLA3 - Flexi-connector



Replacement lamps



CLA12 - Straight/L connector



CLA15 - T connector



Power strips



Display Supply & Lighting, Inc.

Display Supply & Lighting, Inc.  
1247 Norwood Avenue  
Itasca, IL 60143 USA  
TF 800.468.1488  
P 630.285.9660  
F 630.285.9670  
www.dslgroup.com

Copyright © 2016 Display Supply & Lighting, Inc. All rights reserved. All brand or product names are trademarks or registered trademarks of their respective owners. Due to continuous improvements and innovations, specifications may change without notice.