



Date: _____ Type: _____

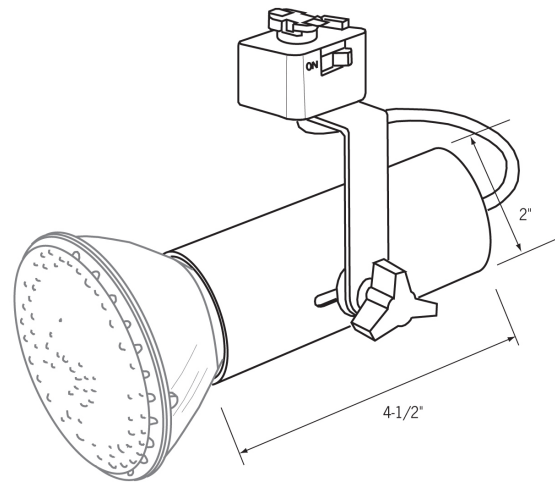
Client: _____

Project: _____

CLCTL601 Track Light

Universal Lampholder Line Voltage Track Fixture

- Simple design provides a clean look; half-yoke mounting design minimizes fixture presence.
- Adjustable socket housing fits up close to long neck as well as short neck lamps.
- May be track mounted or used in mono-point applications with the LA-18 mono-point accessory.
- Precise, rigid aiming and full 350° rotation.
- Integral ON/OFF switch and track polarity indicator are standard.
- 50W PAR20, 75W PAR16, 75W PAR30 or 250W PAR38 lamps recommended.
- cULus listed.
- Suitable for dry locations.



Related Products



Track



CLA6 - End
feed w/ cord &
plug



CLA2 - Mini
connector



CLA3 -
Flexi-connector



Replacement
lamps



CLA12 -
Straight/L
connector



CLA15 - T
connector



Power strips



Display Supply & Lighting, Inc.

Display Supply & Lighting, Inc.
1247 Norwood Avenue
Itasca, IL 60143 USA
TF 800.468.1488
P 630.285.9660
F 630.285.9670
www.dslgroup.com

Copyright © 2016 Display Supply & Lighting, Inc. All rights reserved. All brand or product names are trademarks or registered trademarks of their respective owners. Due to continuous improvements and innovations, specifications may change without notice.