

NEON Classic

Side Bend, Indoor/Outdoor Series

Date: _____ Type: _____
 Client: _____
 Project: _____

Neon Classic flexible neon tube lighting is designed to provide a continuous, even line of light without hotspots.

- With Neon classic you can bend, flex, cut, and contour tubes for desired application.
- Easy to install - plug and play.
- Standard Color Temperatures 3000K, 4100K, 5300K, 6500K, red, yellow, green or blue.
- Field cuttable every 2". Cut with knife or recommended cutting tool.
- Field bendable and may be laterally flexed or curved to fit your desired application to create unique profiles, contours and patterns. Designed for lateral (left to right) side bending only.
- May be mounted with mounting clips or mounting channel. Mounting clips and channels must be secured onto a surface with screws before NEON Classic can be pushed into channel to complete the installation.
- UL Listed



Create a modern, continuous line of light with NEON Classic!

KEY FEATURES

| | | | | | | |
|---|---|---|---|---|---|---|
|  |  |  |  |  |  | NEON |
| BEND & FLEX SIDEWAYS | CONSISTENT LIGHT COLOR | IP67 RATED DUST & TEMPORARY IMMERSION SAFE | WIDE BEAM ANGLE | V-2 FLAME RETARDANT (UL94) | FIELD CUTTABLE FOR CUSTOM LENGTHS | HOTSPOT-FREE, NEON-LIKE ILLUMINATION |
|  |  |  |  |  |  | |
| UV SAFE | EASY TO INSTALL | PLUG & PLAY | LONG LED LIFESPAN | CUSTOM COLOR TEMPS | OUTSTANDING BRIGHTNESS | |

ASSURED QUALITY

| | | | | |
|---|---|---|---|---|
|  |  |  |  |  |
| E477011 | 100% QC | LIMITED WARRANTY | | |



Display Supply & Lighting, Inc.

Display Supply & Lighting, Inc.
 1247 Norwood Avenue
 Itasca, IL 60143 USA
 TF 800.468.1488
 P 630.285.9660
 F 630.285.9670
 www.dslgroup.com

Copyright © 2023 Display Supply & Lighting, Inc. All rights reserved. All brand or product names are trademarks or registered trademarks of their respective owners. Due to continuous improvements and innovations, specifications may change without notice.

NEON Classic

Side Bend,
Indoor/Outdoor Series

Date: _____ Type: _____

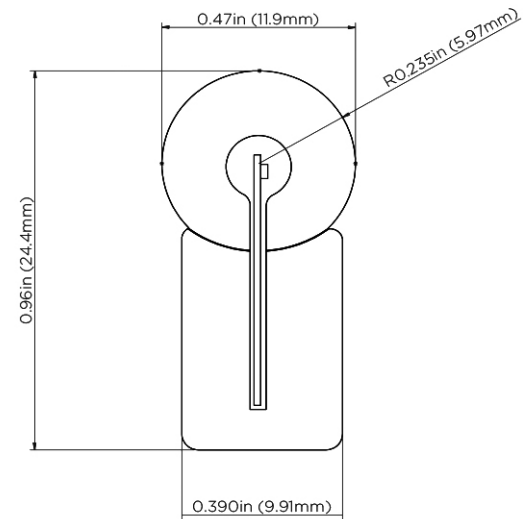
Client: _____

Project: _____

PARAMETERS

LED Count: 33 pc/ft (112 pc/m)
LED Roll Length: 13 ft 1-7/16" (4m) or built to order
Tube Dimensions: Tube cross-section: 0.96" (24.4mm) x 0.47" (11.9mm)
 Tube with end cap: 1.05" (26.6mm) x 0.56" (14.1mm)
Flat Bend: 1" (25mm)
Cutting Length: 2" (51mm)

TUBE CROSS SECTION



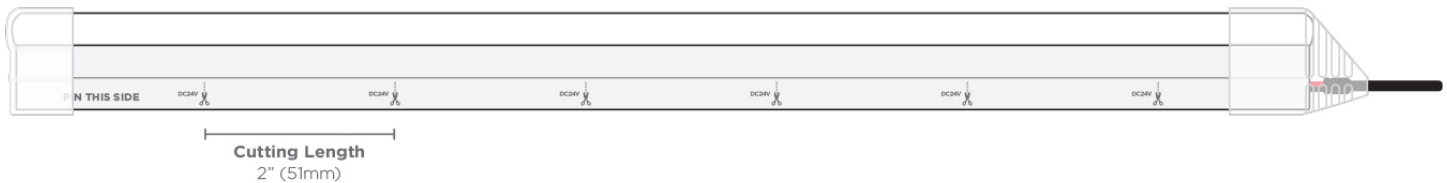
CONSTRUCTION & BASE MATERIAL

Tube Material: Silicone
Tube Max Run: Length may be customized for your order.
PCB Material: Flexible PVC with SMD LEDs
End Cap Material: Silicone
Diffuser Material: Silicone
Substrate Material: Silicone
Mounting Clip Material: Aluminum
Mounting Channel Material: Aluminum
Flammability Rated: UL94 V-2 flame retardant

COLORS

Diffuser: Milky white silicone
Standard White Silicone Tubing: Stardust gray (white color temperatures only)
Colored Silicone Tubing (For single colored lights only.), Red, Yellow, Green, Blue, Tubing color matches LED light color.

TUBE CUTTING DIAGRAM



| LED TYPE | OPERATING VOLTAGE | FLAT BEND minimum | DIMENSIONS tube cross-section | CUTTING LENGTH | # LEDS per cut section |
|-----------|-------------------|-------------------|---------------------------------|----------------|------------------------|
| NEON TUBE | 24V | 1" (25mm) | 0.96" x 0.47" (24.5mm x 11.9mm) | 2" (51mm) | 6 |



Display Supply & Lighting, Inc.

Display Supply & Lighting, Inc.
 1247 Norwood Avenue
 Itasca, IL 60143 USA
 TF 800.468.1488
 P 630.285.9660
 F 630.285.9670
 www.dslgroup.com

Copyright © 2023 Display Supply & Lighting, Inc. All rights reserved. All brand or product names are trademarks or registered trademarks of their respective owners. Due to continuous improvements and innovations, specifications may change without notice.

NEON Classic

Side Bend,

Indoor/Outdoor Series

Date: _____ Type: _____

Client: _____

Project: _____

DIMMING

- Pulse-width modulation dimming (PWM)
- 0-10V dimming
- Magnetic low voltage (MLV)

PHOTOMETRICS

Wide Beam Angle: 150°

Lamp Life: 60,000+ hours

Standard Color Temperatures: 3000K, 4100K, 5300K, and 6500K.

Standard Single Color Temperatures: Red (625nm), Yellow (588nm), Green (525nm) and Blue (465nm).
(Custom Color Temperatures available. Please contact DS&L for more information).

POWER SUPPLY

Input Voltage: 24VDC constant voltage

Input Current: 120mA/ft (396 mA/m)

Power Consumption: 2.10 W/ft (6.9 W/m)

Wire Size: 20 AWG 2 Wire (Use only with Class 2 Power Supply)

Max. No. of Wire Connections: 2

Connector Type: Molex® | DC Barrel Jack | Hardwire

MAX. LOAD & MAX LENGTH

MAX LOAD 96 W CLASS 2 ONLY

Of Power Supplies 1

Max Tube Length: 32.8ft (10m)

PHOTOMETRIC DATA TABLE

| | CCT | EFFICACY | BEAM ANGLE | LUMINOUS FLUX | POWER |
|---|------------------------|------------|------------|---------------------------|---------------------|
|  | 3000K Warm White | 103.1 lm/W | 150° | 216.6 lm/ft 710.6 lm/m | 2.1 W/ft 6.9 W/m |
|  | 4100K Neutral White | | | | |
|  | 5300K Daylight | | | | |
|  | 6500K Cool White | | | | |
|  | Red 625nm | 44.5 lm/W | | 104.2 lm/ft 341.8 lm/m | 2.1 W/ft 6.9 W/m |
|  | Yellow 588nm | 47.1 lm/W | | 110.5 lm/ft 362.3 lm/m | |
|  | Green 525nm | 34 lm/W | | 80 lm/ft 262.4 lm/m | |
|  | Blue 465nm | 15 lm/W | | 35.1 lm/ft 115.2 lm/m | |



Display Supply & Lighting, Inc.

Display Supply & Lighting, Inc.
 1247 Norwood Avenue
 Itasca, IL 60143 USA
 TF 800.468.1488
 P 630.285.9660
 F 630.285.9670
 www.dslgroup.com

Copyright © 2023 Display Supply & Lighting, Inc. All rights reserved. All brand or product names are trademarks or registered trademarks of their respective owners. Due to continuous improvements and innovations, specifications may change without notice.

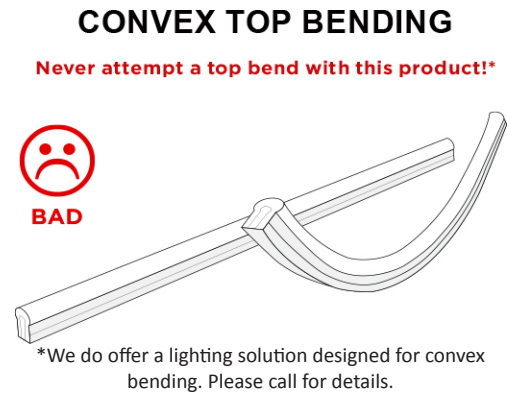
NEON Classic

Side Bend,
Indoor/Outdoor Series

Date: _____ Type: _____

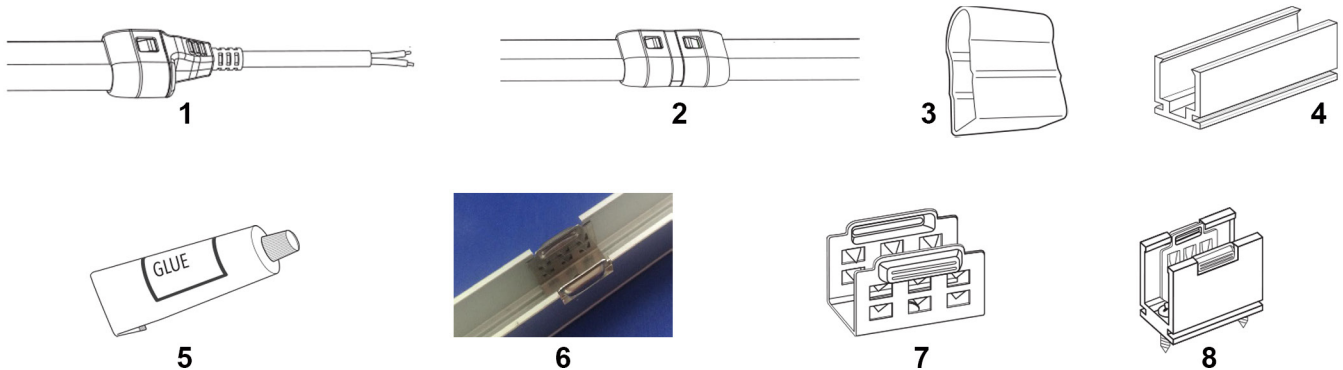
Client: _____

Project: _____



AVAILABLE ACCESSORIES

| # | PART NO. | COMPONENT | MATERIAL | PURPOSE |
|---|----------|--|-------------------|--|
| 1 | N24-PC | Power Supply Connector Set | Polypropylene | To help connect power supplies to the product. |
| 2 | N24-ICS | Interconnection Connector Set | Polypropylene | To connect multiple LUXNEON LED tubes together. |
| 3 | N24-EC | Silicone End Cap | Silicone | Protects the open wiring of the LED strip within the tube. |
| 4 | N24-AS | 1.4" (3.5cm) Aluminum Installation Channel | Anodized aluminum | Smaller installation profile for applications where product needs to be visibly seen. |
| 5 | N24-G | 1.52 fl. oz (45ml) Silicone Glue | N/A | Used to glue end caps, mounting clips and additional installation components to install the product. |
| 6 | N24-ACL | 3.28 ft(1m) Aluminum Installation Channel with Embedded Clip | Anodized aluminum | Aids in the installation of longer LUXNEON LED tubes. Embedded clips prevent tubes from moving freely. |
| 7 | N24-ACS | 1.4" (3.5cm) Aluminum Installation Channel | Anodized aluminum | Allows for surface mounting of product with screws. |
| 8 | N24-MC | Mounting Clip | Polypropylene | Allows for mounting the product. |



Display Supply & Lighting, Inc.

Display Supply & Lighting, Inc.
1247 Norwood Avenue
Itasca, IL 60143 USA
TF 800.468.1488
P 630.285.9660
F 630.285.9670
www.dslgroup.com

Copyright © 2023 Display Supply & Lighting, Inc. All rights reserved. All brand or product names are trademarks or registered trademarks of their respective owners. Due to continuous improvements and innovations, specifications may change without notice.