



Date: _____ Type: _____
 Client: _____
 Project: _____

Mini Track

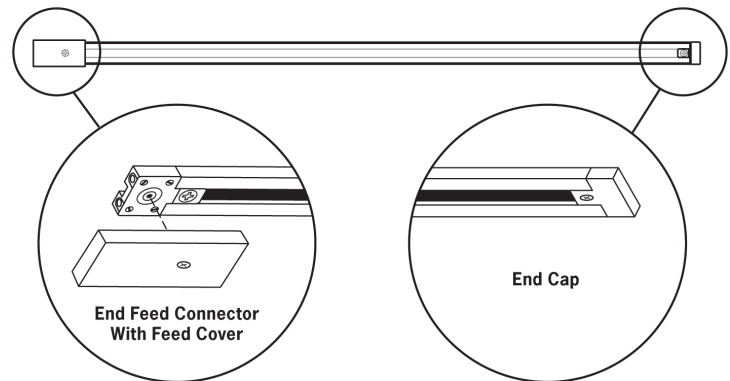
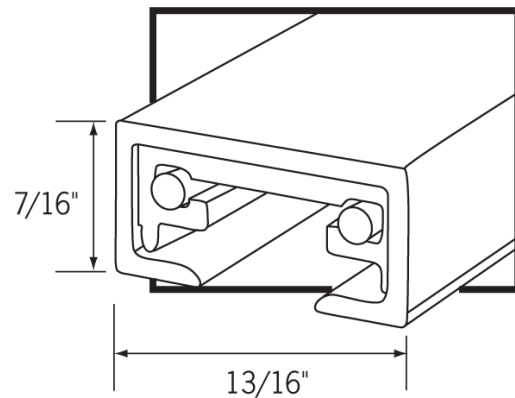
Low voltage track system

CLMLT-2, 4, 6, 8

- Mini track is available in straight pieces of 2', 4', 6' or 8' lengths
- The 2', 4' and 6' track sections come pre-drilled with two mounting holes and the 8' section has three mounting holes.
- Available in white, black, silver, or unfinished aluminum finishes
- Powered by remote or surface mounted end feed transformers
- UL Listed

Product Advantages:

- Mini track system offers true versatility with a variety of power feed, connection and support accessories
- Wide variety of fixture heads & lamp styles available
- Mini track is a designers dream and is ideal for accenting, highlighting or enhancing any design application that requires a very low profile lighting system.



Related Products



CLMCT2116



CLMCT5116



CLMCT8116



CLMRL 162N or 164N



Power strips



Display Supply & Lighting, Inc.

Display Supply & Lighting, Inc.
 1247 Norwood Avenue
 Itasca, IL 60143 USA
 TF 800.468.1488
 P 630.285.9660
 F 630.285.9670
 www.dslgroup.com

Copyright © 2017 Display Supply & Lighting, Inc. All rights reserved. All brand or product names are trademarks or registered trademarks of their respective owners. Due to continuous improvements and innovations, specifications may change without notice.