



Display Supply & Lighting, Inc.

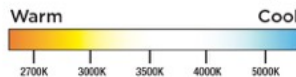
(800) 468-1488
www.dslgroup.com

LED SLIMFIT DOWNLIGHTS


FLAT LENS | REMOTE DRIVER



ColorQuick[®]
Selectable Color Technology



LED Slimfit Downlights are among the most versatile lighting fixtures on the market. CCT Selectable at installation to personalize any space from kitchens, dens and offices to theater rooms and hotels with warm to cool dimmable light. A variety of 4", 6" and 8" round and square trims with white or black finish offer an easy way to incorporate upgraded LED lighting into any environment.



5 CCT SELECTABLE

REMOTE J-BOX

OFFERED IN 4", 6" & 8" MODELS

BLACK & WHITE, ROUND & SQUARE TRIM OPTIONS

SUGGESTED APPLICATIONS
Offices, Retail,
Residential, Multifamily





LED SLIMFIT DOWNLIGHTS

FLAT LENS | REMOTE DRIVER

GENERAL SPECIFICATIONS

Input Voltage, Frequency: 120V, 60Hz

Power Factor, THD %: >0.9,<20%

Dimmable: Down to 10%

CCT: 2700K/3000K/3500K/4000K/5000K

Efficacy: Up to 77 LPW

CRI: 90

Beam Angle: 108°

Functional Life: 50,000 Hours

IC Rated: Yes

Airtight Rated: Yes

Location Rating: Wet

Ambient Operating Temperature:

-20°C (-4°F) to +45°C (+113°F)

Trim Construction: Aluminum

Lens Construction: PMMA

ITEM SPECIFICATIONS / ORDER INFO



Item	Size	Shape	Finish	Lumens @3500K	Wattage	Incandescent Replacement Wattage	Input Current	Pack QTY
S11826	4"	Round	White	700	10W	45W	0.08	12
S11827	6"	Round	White	980	12W	65W	0.10	12
S11828	8"	Round	White	2,050	24W	85W	0.20	12
S11829	4"	Square	White	650	10W	45W	0.08	12
S11830	6"	Square	White	760	12W	65W	0.10	12
S11831	8"	Square	White	1,800	24W	85W	0.20	12
S11874	4"	Round	Black	700	10W	45W	0.08	12
S11875	6"	Round	Black	980	12W	65W	0.10	12
S11876	4"	Square	Black	650	10W	45W	0.08	12
S11877	6"	Square	Black	700	12W	65W	0.10	12

ACCESSORIES / SOLD SEPARATELY

Item	Description	Image
80-943	4" New Construction Mounting Plate with Hanger Bars for T-Grid or Stud & Joist Mounting	
80-944	6" New Construction Mounting Plate with Hanger Bars for T-Grid or Stud & Joist Mounting	
80-950	4" New Construction Mounting Plate for Stud & Joist Mounting	
80-951	6" New Construction Mounting Plate for Stud & Joist Mounting	
80-946	4" Goof Ring	
80-947	6" Goof Ring	
80-948	8" Goof Ring	

Item	Description	Image
S8000	5W LED Emergency Driver*	
S8002	10W LED Emergency Driver*	
80-973	Emergency Driver Enclosure for use with S8000 and S8002	
80-987	Emergency Remote Test Switch Plate	
80-949	6' Extension Cable	
86-216	Temporary Work LED Light for use with Remote Drivers	

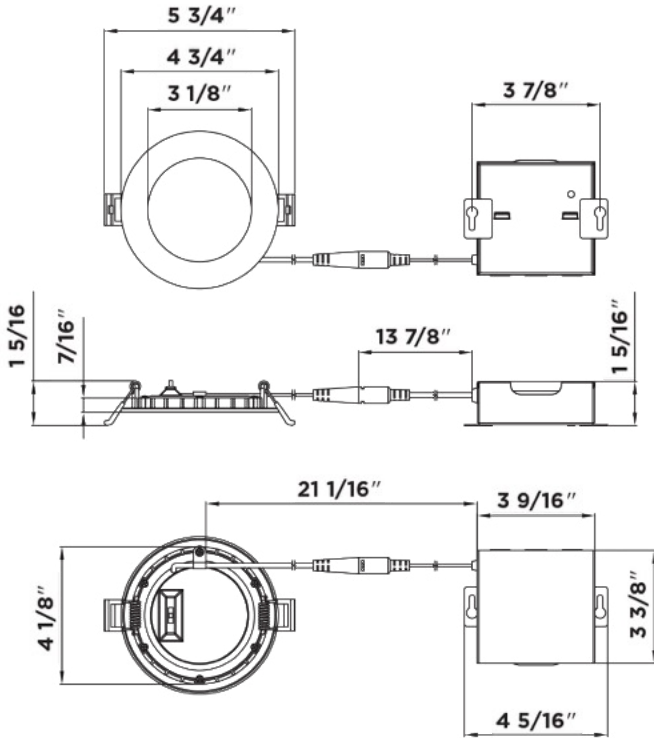
*S8000 and S8002 not compatible with 24W models.



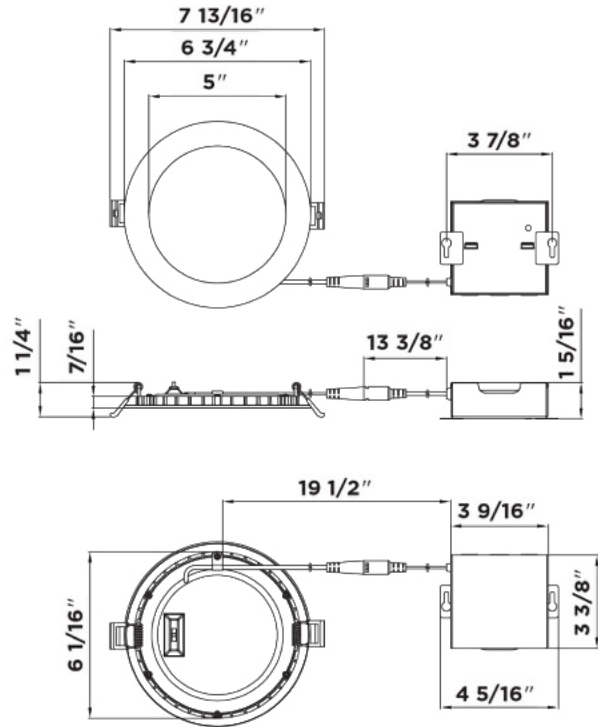
LED SLIMFIT DOWNLIGHTS

FLAT LENS | REMOTE DRIVER

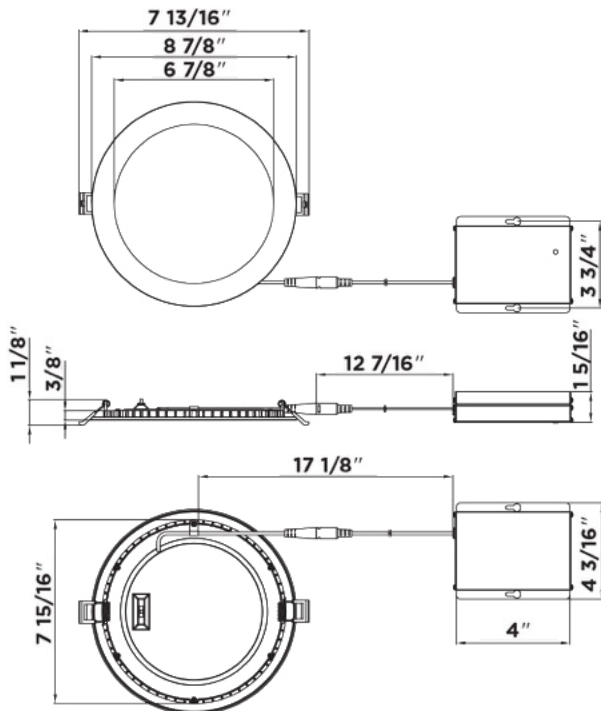
4" ROUND MODELS S11826 & S11874



6" ROUND MODELS S11827 & S11875



8" ROUND MODEL S11828

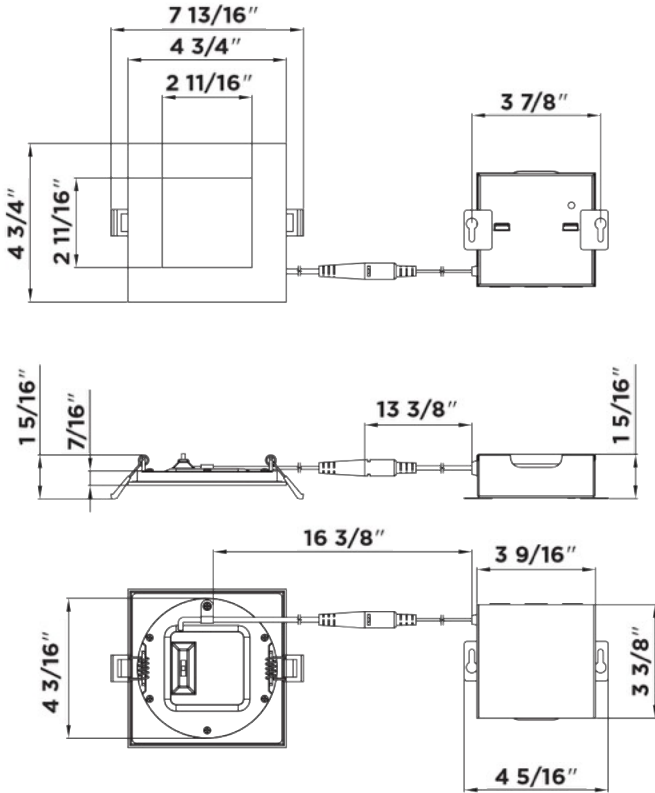




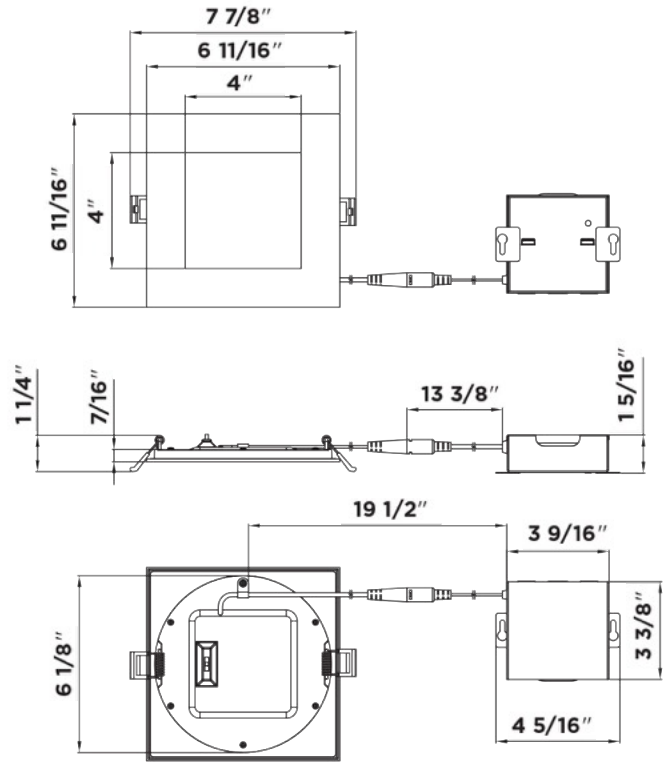
LED SLIMFIT DOWNLIGHTS

FLAT LENS | REMOTE DRIVER

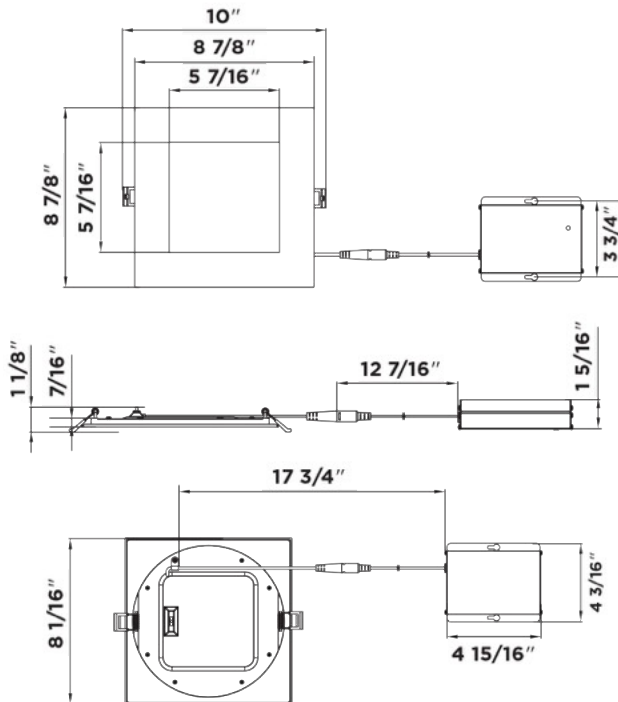
4" SQUARE MODELS S11829 & S11876



6" ROUND MODELS S11830 & S11877



8" SQUARE MODEL S11831





LED SLIMFIT DOWNLIGHTS

FLAT LENS | REMOTE DRIVER

PHOTOMETRICS

Item: S11826

Description: 10WLED/DW/EL/4/CCT-SEL/RND/RD
ColorQuick Setting: 2700K
Lumens: 670 LM
Watts: 9.7 W
Efficacy: 69 LPW
Beam Angle: 114°
Spacing Criteria (0°-180°): 1.31
Spacing Criteria (90°-270°): 1.3

Zonal Lumen Summary		
Zone	Lumens	% Luminaire
0-30°	180	26.9%
0-40°	298	44.5%
0-60°	530	79.1%
0-90°	669	99.9%
90-180°	1	0.1%
0-180°	670	100.0%

Lumen Multiplier				
2700K	3000K	3500K	4000K	5000K
1.00	1.05	1.09	1.09	1.06

Candela Polar Plot

Illumination at Distance

Distance	FC Center Beam	Beam Spread
4 ft	14.18 fc	12.3 ft
6 ft	6.3 fc	18.4 ft
8 ft	3.55 fc	24.6 ft
10 ft	2.27 fc	30.7 ft
12 ft	1.58 fc	36.9 ft

Item: S11827

Description: 12WLED/DW/EL/6/CCT-SEL/RND/RD
ColorQuick Setting: 2700K
Lumens: 933 LM
Watts: 11 W
Efficacy: 85 LPW
Beam Angle: 107°
Spacing Criteria (0°-180°): 1.23
Spacing Criteria (90°-270°): 1.23

Zonal Lumen Summary		
Zone	Lumens	% Luminaire
0-30°	263	28.2%
0-40°	428	45.9%
0-60°	743	79.6%
0-90°	931	99.8%
90-180°	2	0.2%
0-180°	933	100.0%

Lumen Multiplier				
2700K	3000K	3500K	4000K	5000K
1.00	1.03	1.07	1.08	1.07

Candela Polar Plot

Illumination at Distance

Distance	FC Center Beam	Beam Spread
4 ft	21.42 fc	10.9 ft
6 ft	9.52 fc	16.3 ft
8 ft	5.36 fc	21.7 ft
10 ft	3.43 fc	27.2 ft
12 ft	2.38 fc	32.6 ft



LED SLIMFIT DOWNLIGHTS

FLAT LENS | REMOTE DRIVER

PHOTOMETRICS

Item: S11828

Description: 24WLED/DW/EL/8/CCT-SEL/RND/RD
ColorQuick Setting: 2700K
Lumens: 1913 LM
Watts: 24 W
Efficacy: 80 LPW
Beam Angle: 108°
Spacing Criteria (0°-180°): 1.23
Spacing Criteria (90°-270°): 1.23

Zonal Lumen Summary		
Zone	Lumens	% Luminaire
0-30°	539	28.2%
0-40°	876	45.8%
0-60°	1524	79.7%
0-90°	1908	99.7%
90-180°	5	0.3%
0-180°	1913	100.0%

Lumen Multiplier				
2700K	3000K	3500K	4000K	5000K
1.00	1.10	1.18	1.16	1.09

Candela Polar Plot

Illumination at Distance

Distance	FC Center Beam	Beam Spread
4 ft	43.81 fc	11.1 ft
6 ft	19.47 fc	16.6 ft
8 ft	10.95 fc	22.1 ft
10 ft	7.01 fc	27.7 ft
12 ft	4.87 fc	33.2 ft

Item: S11829

Description: 10WLED/DW/EL/4/CCT-SEL/SQ/RD
ColorQuick Setting: 2700K
Lumens: 630 LM
Watts: 9.7 W
Efficacy: 65 LPW
Beam Angle: 112°
Spacing Criteria (0°-180°): 1.29
Spacing Criteria (90°-270°): 1.28

Zonal Lumen Summary		
Zone	Lumens	% Luminaire
0-30°	171	27.1%
0-40°	282	44.8%
0-60°	499	79.2%
0-90°	629	99.8%
90-180°	1	0.2%
0-180°	630	100.0%

Lumen Multiplier				
2700K	3000K	3500K	4000K	5000K
1.00	1.03	1.09	1.07	1.05

Candela Polar Plot

Illumination at Distance

Distance	FC Center Beam	Beam Spread
4 ft	13.57 fc	11.8 ft
6 ft	6.03 fc	17.7 ft
8 ft	3.39 fc	23.7 ft
10 ft	2.17 fc	29.6 ft
12 ft	1.51 fc	35.5 ft



LED SLIMFIT DOWNLIGHTS

FLAT LENS | REMOTE DRIVER

PHOTOMETRICS

Item: S11830

Description: 12WLED/DW/EL/6/CCT-SEL/SQ/RD
ColorQuick Setting: 2700K
Lumens: 722 LM
Watts: 11.1 W
Efficacy: 65 LPW
Beam Angle: 108°
Spacing Criteria (0°-180°): 1.23
Spacing Criteria (90°-270°): 1.23

Zonal Lumen Summary		
Zone	Lumens	% Luminaire
0-30°	202	28.0%
0-40°	329	45.6%
0-60°	574	79.5%
0-90°	721	99.9%
90-180°	1	0.1%
0-180°	722	100.0%

Lumen Multiplier				
2700K	3000K	3500K	4000K	5000K
1.00	1.06	1.08	1.11	1.09

Candela Polar Plot

Illumination at Distance

Distance	FC Center Beam	Beam Spread
4 ft	16.42 fc	11.1 ft
6 ft	7.3 fc	16.6 ft
8 ft	4.1 fc	22.1 ft
10 ft	2.63 fc	27.6 ft
12 ft	1.82 fc	33.2 ft

Item: S11831

Description: 24WLED/DW/EL/8/CCT-SEL/SQ/RD
ColorQuick Setting: 2700K
Lumens: 1677 LM
Watts: 24 W
Efficacy: 70 LPW
Beam Angle: 110°
Spacing Criteria (0°-180°): 1.25
Spacing Criteria (90°-270°): 1.25

Zonal Lumen Summary		
Zone	Lumens	% Luminaire
0-30°	463	27.6%
0-40°	756	45.1%
0-60°	1326	79.1%
0-90°	1673	99.8%
90-180°	4	0.2%
0-180°	1677	100.0%

Lumen Multiplier				
2700K	3000K	3500K	4000K	5000K
1.00	1.08	1.13	1.14	1.05

Candela Polar Plot

Illumination at Distance

Distance	FC Center Beam	Beam Spread
4 ft	37.39 fc	11.5 ft
6 ft	16.62 fc	17.2 ft
8 ft	9.35 fc	23 ft
10 ft	5.98 fc	28.7 ft
12 ft	4.15 fc	34.5 ft



LED SLIMFIT DOWNLIGHTS

FLAT LENS | REMOTE DRIVER

PHOTOMETRICS

Item: S11874

Description: 10WLED/DW/4/CCT-SEL/RND/RD/BK
ColorQuick Setting: 2700K
Lumens: 670 LM
Watts: 9.7 W
Efficacy: 69 LPW
Beam Angle: 114°
Spacing Criteria (0°-180°): 1.31
Spacing Criteria (90°-270°): 1.3

Zonal Lumen Summary		
Zone	Lumens	% Luminaire
0-30°	180	26.9%
0-40°	298	44.5%
0-60°	530	79.1%
0-90°	669	99.9%
90-180°	1	0.1%
0-180°	670	100.0%

Lumen Multiplier				
2700K	3000K	3500K	4000K	5000K
1.00	1.05	1.09	1.09	1.06

Candela Polar Plot

Illumination at Distance

Distance	FC Center Beam	Beam Spread
4 ft	14.18 fc	12.3 ft
6 ft	6.3 fc	18.4 ft
8 ft	3.55 fc	24.6 ft
10 ft	2.27 fc	30.7 ft
12 ft	1.58 fc	36.9 ft

Item: S11875

Description: 12WLED/DW/6/CCT-SEL/RND/RD/BK
ColorQuick Setting: 2700K
Lumens: 933 LM
Watts: 11 W
Efficacy: 85 LPW
Beam Angle: 107°
Spacing Criteria (0°-180°): 1.23
Spacing Criteria (90°-270°): 1.23

Zonal Lumen Summary		
Zone	Lumens	% Luminaire
0-30°	263	28.2%
0-40°	428	45.9%
0-60°	743	79.6%
0-90°	931	99.8%
90-180°	2	0.2%
0-180°	933	100.0%

Lumen Multiplier				
2700K	3000K	3500K	4000K	5000K
1.00	1.03	1.07	1.08	1.07

Candela Polar Plot

Illumination at Distance

Distance	FC Center Beam	Beam Spread
4 ft	21.42 fc	10.9 ft
6 ft	9.52 fc	16.3 ft
8 ft	5.36 fc	21.7 ft
10 ft	3.43 fc	27.2 ft
12 ft	2.38 fc	32.6 ft



LED SLIMFIT DOWNLIGHTS

FLAT LENS | REMOTE DRIVER

PHOTOMETRICS

Item: S11876

Description: 10WLED/DW/4/CCT-SEL/SQ/RD/BK
ColorQuick Setting: 2700K
Lumens: 630 LM
Watts: 9.7 W
Efficacy: 65 LPW
Beam Angle: 112°
Spacing Criteria (0°-180°): 1.29
Spacing Criteria (90°-270°): 1.28

Zone	Lumens	% Luminaire
0-30°	171	27.1%
0-40°	282	44.8%
0-60°	499	79.2%
0-90°	629	99.8%
90-180°	1	0.2%
0-180°	630	100.0%

	2700K	3000K	3500K	4000K	5000K
	1.00	1.03	1.09	1.07	1.05

Candela Polar Plot

Illumination at Distance

Distance	FC Center Beam	Beam Spread
4 ft	13.57 fc	11.8 ft
6 ft	6.03 fc	17.7 ft
8 ft	3.39 fc	23.7 ft
10 ft	2.17 fc	29.6 ft
12 ft	1.51 fc	35.5 ft

Item: S11877

Description: 12WLED/DW/6/CCT-SEL/SQ/RD/BK
ColorQuick Setting: 2700K
Lumens: 722 LM
Watts: 11.1 W
Efficacy: 65 LPW
Beam Angle: 108°
Spacing Criteria (0°-180°): 1.23
Spacing Criteria (90°-270°): 1.23

Zone	Lumens	% Luminaire
0-30°	202	28.0%
0-40°	329	45.6%
0-60°	574	79.5%
0-90°	721	99.9%
90-180°	1	0.1%
0-180°	722	100.0%

	2700K	3000K	3500K	4000K	5000K
	1.00	1.06	1.08	1.11	1.09

Candela Polar Plot

Illumination at Distance

Distance	FC Center Beam	Beam Spread
4 ft	16.42 fc	11.1 ft
6 ft	7.3 fc	16.6 ft
8 ft	4.1 fc	22.1 ft
10 ft	2.63 fc	27.6 ft
12 ft	1.82 fc	33.2 ft

Fixture may not be compatible with all dimmers. Specifications are subject to change without prior notice. Replacement wattage shown depends on application and fixture. This device complies with Part 15 of the FCC Rules. Operation is subject to the following two conditions: (1) this device may not cause harmful interference, and (2) this device must accept any interference received, including interference that may cause undesired operation. WARNING: Some products included in this specification sheet may be subject to the warning requirements of California's Proposition 65. Please refer to your product packaging for more information.