

# LED Lattice

LED Backlighting

## POWERFULLY BRIGHT ILLUMINATION

DS&L waited for a rugged design to handle the rigors that products are subjected to in the trade show and events industries - before introducing its LED Lattice lighting. Designed to backlight large format graphics. LED Lattice features a wide beam angle, energy-saving design and consistent, even lighting output. Fully adjustable to meet your application's unique needs, available in 3 widths, mix and match the standard module sticks and combine them to your desired length for a custom fit that will provide full coverage without hot spots.



Powerful grand format backlighting made easy

- STRONG COLOR RENDERING**
- OUTSTANDING BRIGHTNESS**
- EVEN LIGHTING NO DARK SPOTS**
- LONG LED LIFESPAN**
- CONTOURS FOR SIMPLE CURVES**
- EFFECTIVE BACKLIGHTING SOLUTION**
- WIDE BEAM ANGLE**
- 80% ENERGY EFFICIENT**
- CUSTOM ROLL LENGTHS**
- CUSTOM COLORS**
- CONSTANT POWER - 24V**

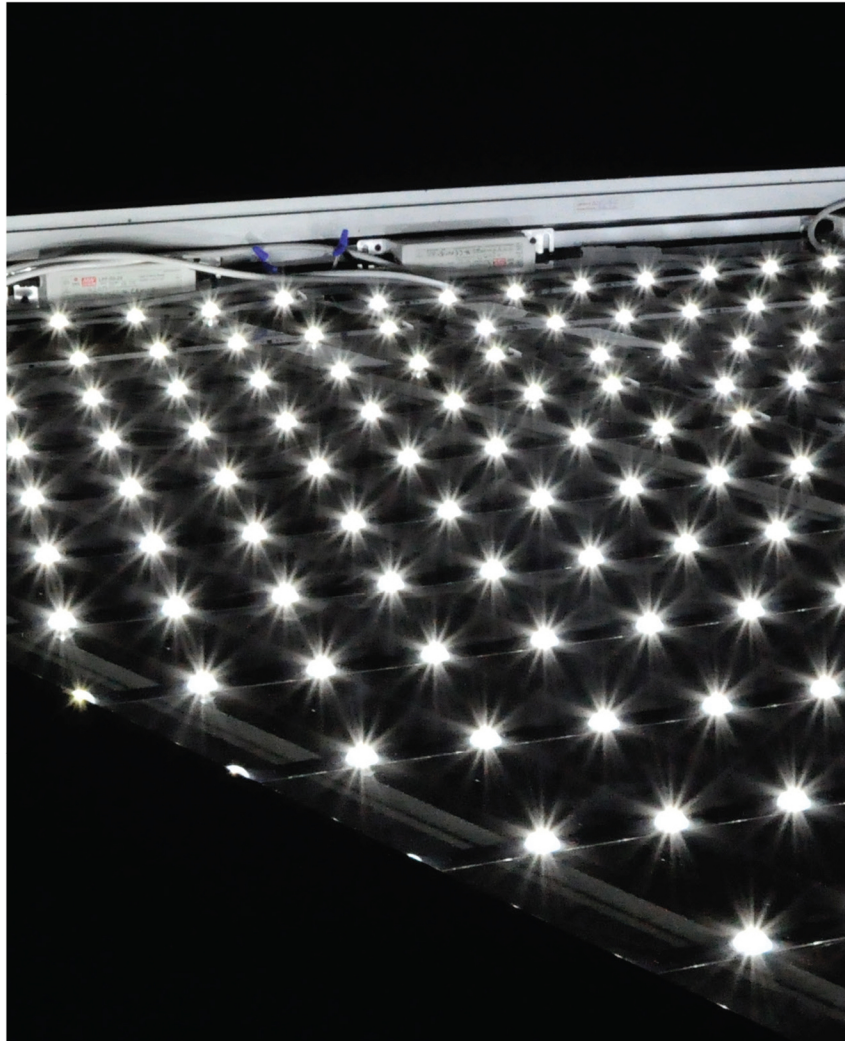
## ASSURED QUALITY

- E477011
- 100% QC
- MANUFACTURER'S WARRANTY
- 
- 



Display Supply & Lighting, Inc.

# LED Lattice



Illuminated LED Lattice

## APPLICATIONS

- Sign Cabinet Backlighting
- Fabric Light Box Backlighting
- Ceiling & Wall Backlighting
- Large Format Illumination
- Simple Curved Applications
- And Many More....



Display Supply & Lighting, Inc.

Page 2

1247 Norwood Ave., Itasca, IL 60143  
TF: (800) 468-1488 | P: (630) 285-9660  
F: (630) 285-9670 | [www.dslgroup.com](http://www.dslgroup.com)

# LED Lattice

## MECHANICAL

### LED MODULE

- LED Count** 3, 6, & 12 pc/stick
- PCB** 3/16" (w) x 9/32" (h) [20mm (w) x 7mm (h)]
- LED Pitch** 3-5/32" (80mm)
- Stick-to-Stick Pitch** 6" (152mm)
- No. of Sticks per Roll** 12 sticks
- Ambient Temperature** -4°F~+176°F (-20~+80°C)
- IP Rating** IP60\*

**Environment** Indoor applications

\*EXTERIOR applications (IP 65) available upon request

### MOUNTING

#### Method

- Screws or
- Double-sided foam tape or
- VELCRO® brand products

**Optimal Cabinet Depth\*\*** 3"-5" (76mm-127mm)

\*\*Optimal depth to prevent hot spots

## ELECTRICAL

### LIGHT SOURCE

- LED Chip** Nichia 3030 LED
- Wide Beam Angle** 160° with Optical Lens
- Life Expectancy** 50,000+ hours
- Color Rendering** CRI 80+
- Standard Color** Cool White (6500K)

#### Available Colors

- Daylight (5300K)
- Neutral White (4100K)

#### Dimming

- Pulse-width modulation (PWM)
- 0-10V
- Magnetic low voltage (MLV)

**UL Listed** E477011

### POWER SUPPLY

**Input Voltage** 24Vdc constant voltage

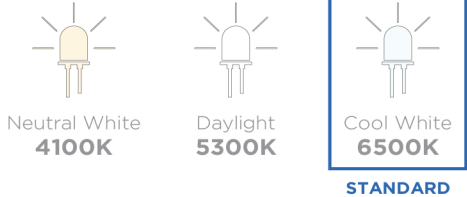
**Wire Size** 20 AWG 2 Wire

**Please use only with Class 2 power supply**

#### Connector Type

- Molex® and barrel
- Hardwire

#### AVAILABLE COLOR TEMP. (CCT)



SIZE	STICK WIDTH	LED/STICK	ROLL LENGTH	LED	BRIGHTNESS (lm/stick)	EFFICACY (lm/W)	POWER (W/stick)	MAX LOAD (96W)
Short	9-1/2" (241mm)	3	72" (1829mm)	IP60	320	86.5	3.7	24 sticks
Medium	19-1/4" (489mm)	6	72" (1829mm)	IP60	650	86.7	7.5	12 sticks
Long	37-3/4" (959mm)	12	72" (1829mm)	IP60	1300	86.7	15.0	6 sticks

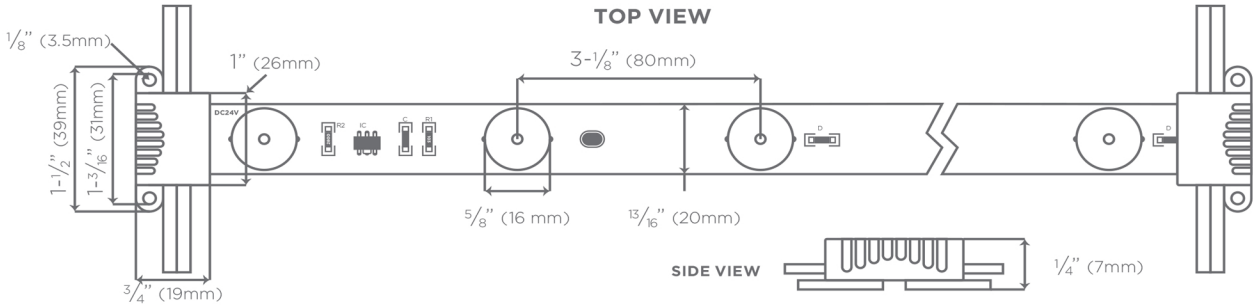


ILLUSTRATION NOT DRAWN TO SCALE



# LED Lattice

## AVAILABLE PRODUCTS

9-1/2" (241mm)



+

19-1/4" (489mm)



+

37-3/4" (959mm)



=

**MIX & MATCH  
3 BAR SIZES**  
LINK LED STICKS  
HORIZONTALLY OR VERTICALLY



Display Supply & Lighting, Inc.

Page 4

1247 Norwood Ave., Itasca, IL 60143  
TF: (800) 468-1488 | P: (630) 285-9660  
F: (630) 285-9670 | [www.dslgroup.com](http://www.dslgroup.com)