



Display Supply & Lighting, Inc.

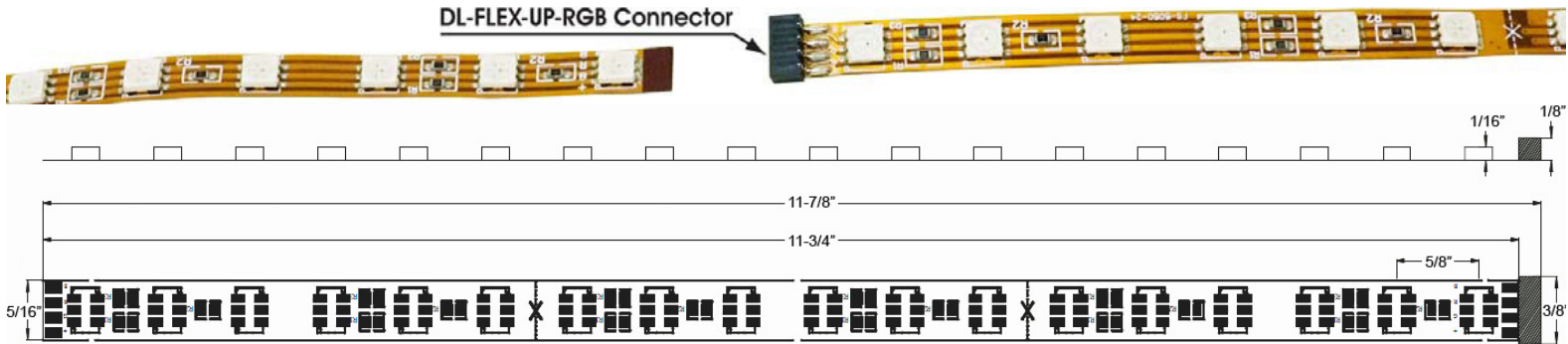
1247 Norwood Avenue, Itasca, IL 60143

(800) 468-1488

www.dslgroup.com

LED FLEXIBLE LINEAR TAPE DL-FLEX-UP-RGB STATIC SERIES

DL-FLEX-UP-RGB



DESCRIPTION

DL-FLEX-UP-RGB Series is a color changing lighting system. Designers can create light output that can be varied and also programmed to appropriate Pantone PMS colors, allowing the highest level of lighting sophistication. Made of highly flexible material that can be applied to most accessible surfaces using 3M double sided tape.

FEATURES

- Ultra bright surface-mount RGB LEDs.
- Wide range of plug-together accessories eliminates need for field soldering; providing simple and easy installations.
- Low power consumption, low heat.
- No ultra violet (UV/IR) radiation. No mercury
- Optional aluminum mounting channel with clear and diffused lens covers that snap into the channel without tools.
- For a 90° bends or tighter, do so at the cutting mark.
- To make a 90° joint connection use the DL-FLEXRGB-X-C connector, which can be trimmed for 2-way L connection or 3-way T connection.

APPLICATIONS

- Cove and soffit lighting
- Path and contour marking
- Display lighting
- Under-shelf and under-cabinet lighting
- Accent and edge lighting
- Backlighting
- Signage

SPECIFICATIONS

Model	DL-FLEX-UP-RGB
Color	RGB
Watts/Ft	3.2W
Lumens/Ft	70 lm
Efficacy lumens/watt	21.9

120° beam angle; Input Voltage 24V DC; Lamp Life 50,000 hours;
 Dimensions – 11' 7/8" L x 3/8" W x 1/8" H per section (uncut)
 18 LEDs per foot; 5/8" LED Spacing; Operating Temperature -22° F – 185° F
 Max Run 20' (see wiring diagram for longer runs)
 Min Run 6 LEDs approx. 4" (see cut markings)
 4 wire; Mounting – adhesive, clip, or channel; Indoor & Dry location use only
 UL Listed – 5 Year Limited Warranty (see warranty for details)



Display Supply & Lighting, Inc.

1247 Norwood Avenue, Itasca, IL 60143

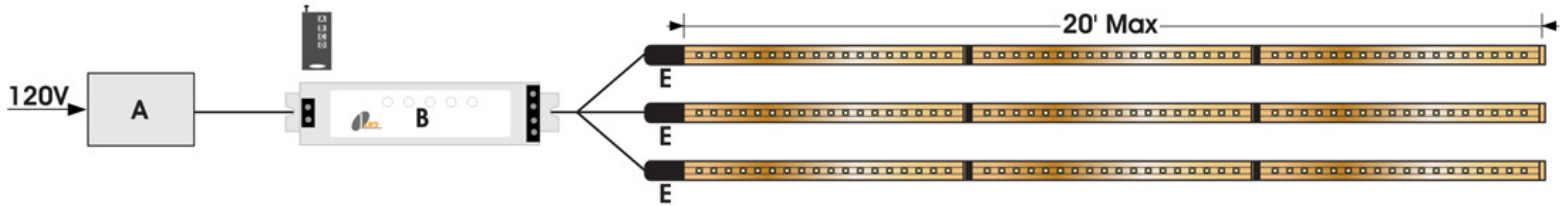
(800) 468-1488

www.dslgroup.com

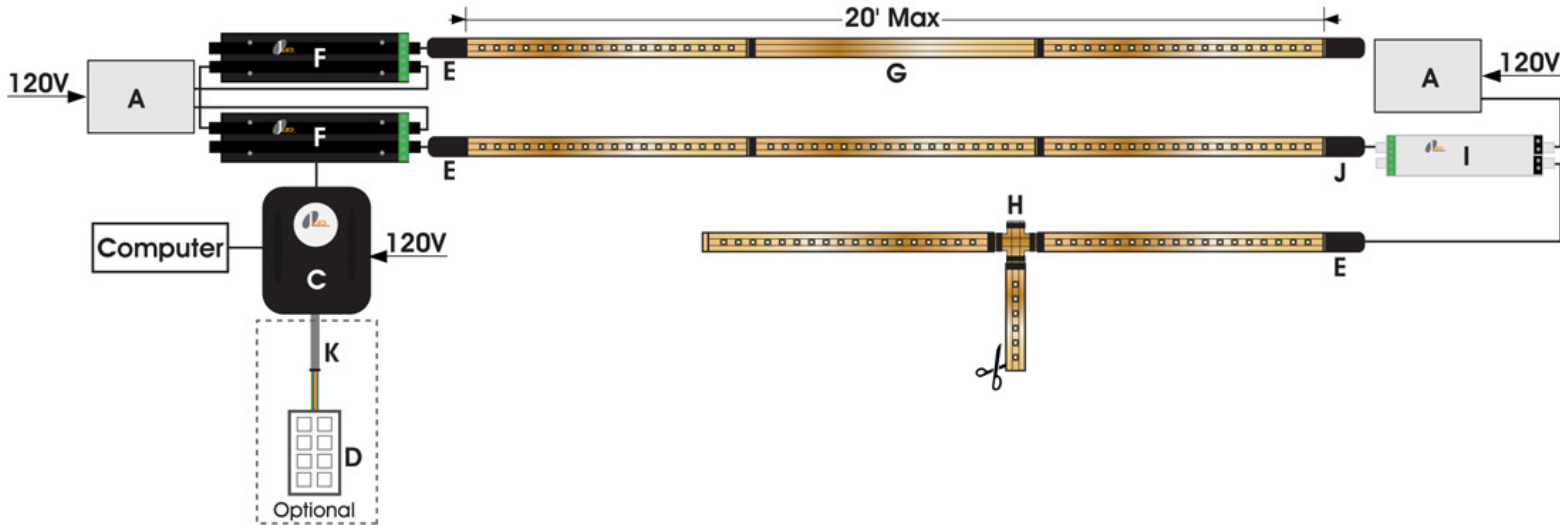
LED FLEXIBLE LINEAR TAPE DL-FLEX-UP-RGB SERIES

DL-FLEX-UP-RGB – wiring diagrams

MULTIPLE RUN - HARD-WIRE CONNECTION



DMX PROGRAMMED - EXTENDED MULTIPLE RUN



- A. DL-PS-XX/24-JB
- B. LC-180-RF (With hand-held remote)
- C. LC-PC-100 (DMX Programmed)
- D. DL-LC-KP8-W-8 (Optional - Requires DL-LC-KP-CC)
- E. DL-FLEX-RGB-PC
- F. LC-200-INT
- G. DL-FLEX-RGB-CCXX
- H. DL-FLEX-RGB-X-C
- I. LC-200-RPT
- J. DL-FLEX-RGB-PT
- K. DL-LC-KP-CC (Optional)



Display Supply & Lighting, Inc.

1247 Norwood Avenue, Itasca, IL 60143

(800) 468-1488

www.dslgroup.com

LED FLEXIBLE LINEAR TAPE DL-FLEX-UP SERIES

DL-FLEX-UP – specifications

Power Supply Guide for Maximum Runs

If the Max Load of a power supply exceeds the fixture's Max Run, then you may install multiple runs per given power supply.

Wattage = Max power capacity of power supply: **Max Load** = Fixture quantity a power supply can power: **Max Run** = Max length of a single fixture

Hard Wire Power Supplies (junction box included)		DL-FLEX-UP DL-FLEX-W white, green, blue 1.4 watt/foot		DL-FLEX-UP DL-FLEX-W red, yellow 0.9 watt/foot		DL-FLEX-UPHO DL-FLEX-WH 3 watt/foot		DL-FLEX-UP-RGB DL-FLEX-W-RGB 3.2 watt/foot	
Model Number	Wattage	Max Run	Max Load	Max Run	Max Load	Max Run	Max Load	Max Run	Max Load
DL-PS-20/24-JB	20	30'	14.3'	30'	22.2'	20'	6.7'	20'	6.3'
DL-PS-60/24-JB	60	30'	42.9'	30'	66.7'	20'	20'	20'	18.8'
DL-PS-100/24-JB	96	30'	68.6'	30'	106.7'	20'	32'	20'	30'
DL-PS-150/24-JB	150	30'	107.1'	30'	166.7'	20'	50'	20'	46.9'
DL-PS-320/24-JB	312	30'	222.9'	30'	346.7'	20'	104'	20'	97.5'
DL-PS-120/24-JB	2 x 60*	30'	2 x 42.9'	30'	2 x 66.7'	20'	2 x 20'	20'	2 x 18.8'
DL-PS-180/24-JB	3 x 60*	30'	3 x 42.9'	30'	3 x 66.7'	20'	3 x 20'	20'	3 x 18.8'
DL-PS-200/24-JB	2 x 96*	30'	2 x 68.6'	30'	2 x 106.7'	20'	2 x 32'	20'	2 x 30'
DL-PS-25/24-DIM-JB+	25	30'	17.9'	30'	27.8'	20'	8.3'	N/A	N/A

* Consists of multiple power supplies

+ Hybrid power supply with dimming capability. Dimming requires 0 – 10V dimmer (DVTV)

Plug and Play Power Supplies		DL-FLEX-UP DL-FLEX-W white, green, blue 1.4 watt/foot		DL-FLEX-UP DL-FLEX-W red, yellow 0.9 watt/foot		DL-FLEX-UPHO DL-FLEX-WH 3 watt/foot		DL-FLEX-UP-RGB DL-FLEX-W-RGB 3.2 watt/foot	
Model Number	Wattage	Max Run	Max Load	Max Run	Max Load	Max Run	Max Load	Max Run	Max Load
DL-PS-WP24/ 24	24	30'	17.1'	30'	26.7'	20'	8'	20'	7.5'
DL-PS-24/24	24	30'	17.1'	30'	26.7'	20'	8'	20'	7.5'
DL-PS-48/24	48	30'	34.3'	30'	53.3'	20'	16'	20'	15'
DL-PS-60/24	60	30'	42.9'	30'	66.7'	20'	20'	20'	18.8'
DL-PS-90/24	90	30'	64.3'	30'	100'	20'	30'	20'	28.1'

Dimmers

LC-DIM5A Plug & play dimmer; built in 0-10V dimming control

LC-DIM5A-HW Hard wire dimmer; requires separate 0-10V dimmer (see DL-PS-DV-TV)

DL-PS-DV-TV Wall plate dimmer; used with LC-DIM5A – HW or DL-PS-25/24-DIM

LC-DIM100-RF Plug & Play Remote Dimmer (step dimming)

Amplifiers

LC-200-RPT Power repeater used for extending runs (compatible with dimmers)



Display Supply & Lighting, Inc.

1247 Norwood Avenue, Itasca, IL 60143

(800) 468-1488

www.dslgroup.com

LED FLEXIBLE LINEAR TAPE DL-FLEX-UP STATIC SERIES

DL-FLEX-UP – Accessories

Plug & Play Accessories

DL-FLEX-UP-4-(B/G/30/40/60)

4" Linear Strip. Unlike a field cut 4" section, which becomes a dead-end, it has an output connector mounted at the cut - permits attachments to subsequent sections of Flex and interconnects. Output: Blue, Green, 3000K, 4000K, 6000K. Max Watt 0.46W



DL-FLEX-X-CONN

Universal, "L", "X" & "T" connector. Allows for the direct connection of up to four DL-FLEX-UP strips.

Scissor cut to make "L" & "T" - straight-line 90° cuts only.



DL-FLEX-DC6

6' Clear Dust Cover lens that protects LED strips during cleaning, etc. Acrylite Plus PMMA with a 91.5% transmittance; 1% haze (ASTM D1925).



DL-FLEX-FL6

6' Frosted lens that creates a simple "glow" for a direct view delineation. Acrylite Plus ZDF Impact Acrylic Polymer with an 85% transmittance; 4% haze (ASTM D1925).

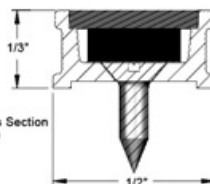


DL-FLEX-CH6

6' Mounting Channel.

6'L x 1/2"W x 1/3"H

Detail Cross Section Scale 4.000



DL-FLEX-CH-CLIP

Mounting Clip for 6' Mounting Channel (2 pcs.) Recommended maximum 24" between DL-FLEX-CH-CLIPS for most installations.



DL-FLEX-UP-6-(R/Y)

6" Linear Strip. Unlike a field cut 6" section, which becomes a dead-end, it has an output connector mounted at the cut - permits attachments to subsequent sections of Flex and interconnects. Output: Red,

Yellow. Max Watt: 0.7W



DL-FLEX-CC6

6" Flexible mid-connector. To reach across or hide behind gaps.

DL-FLEX-CC12

12" Flexible mid-connector. To reach across or hide behind gaps.



LLMFH-C/C-CH6

6' Extruded housing for carpet-to-carpet connection, complete with clear, slide-in, protective lens. For field cutting.



LLMFH-C/W-CH6

6' Extruded housing for carpet-to-wood or tile floor connection, complete with clear, slide-in, protective lens. For field cutting.



DL-FLEX-CH-EC

End Cap for DL-FLEX-CH6 Mounting Channel for closed end. Use with DL-FLEX-CH-LE and a lens type DL-FLEX-FL6 or -DC6.



DL-FLEX-CH-LE

Live End assembly for Mounting Channel with cable clamp, needs DL-FLEX-PC2 (HW) to complete the assembly.





Display Supply & Lighting, Inc.

1247 Norwood Avenue, Itasca, IL 60143

(800) 468-1488

www.dslgroup.com

LED FLEXIBLE LINEAR TAPE DL-FLEX-UP STATIC SERIES

DL-FLEX-UP – hardware accessories

Hard Wire Accessories

**DL-FLEX-PC2-HW**

12" Hard-wire power input connector with short circuit board.
12" x (2 x #20) in black pvc jacket + 1/4" flexible circuit board.

**DL-FLEX-PC-HW**

12" Hard-wire power input connector.
Used at start of every run.
12" x (2 x #20) in black pvc jacket + 5" flexible circuit board.

**DL-FLEX-PT-HW**

12" Hard-wire power output connector.
Used to connect LC-200-RPT at end of runs to extend capacity. Also used to jump runs behind walls in a hard-wire application when reconnecting runs.

Plug & Play Accessories (for connecting Plug & Play LED Drivers to Lighting Controllers)

**DL-FLEX-PC**

12" Plug and play power input connector.
Used at start of every run.
Connects to a plug-in or a desktop type LED Driver.

**DL-FLEX-PC2**

12" Plug and play power input connector with short circuit board.
12" x (2 x #20) in black pvc jacket + 1/4" flexible circuit board.

**DL-P\$-EXT48**

48" LED Driver Extension.

DL-P\$-EXT96

96" LED Driver Extension.

**DL-FLEX-PT**

12" Plug and play power output connector.
Used to connect LC-200-RPT at end of runs to extend capacity.

**DL-P\$-PT-M**

4" Male 2-wire controller input power connector.
For connecting plug and play supplies to hard-wire equipment or lighting controllers.

**DL-P\$-2Y**

2-way split power feed connects multiple home runs to a single power supply.
Used to feed 2 x DL-FLEX-PC from a single supply - can be used in multiples.
Feed: 7-1/2"L. Connector Runs: 10-3/4"L.

**DL-P\$-PT-F**

12" Female 2-wire controller input power connector.
For connecting plug and play supplies to hard-wire equipment or lighting controllers.

**DL-P\$-3Y**

3-way split power feed connects multiple home runs to a single power supply.
Used to feed 3 x DL-FLEX-PC from a single supply - can be used in multiples.
Feed: 11-1/4"L. Connector Runs: 12-1/4"L.