

# SC-615BS

PAGING HORN SPEAKER

The SC-615BS is the voice alarm certification product. This speaker can be a clearer announcement for voice alarm. The SC-615BS Paging horn speaker features an aluminium horn flare and stainless steel bracket for all weather durability. The SC-615BS unique oval shape horn enhances excellent speech clarity.



**Comsec Protection Systems.**  
 26 Stadium Business Park, Dublin D11 FY81  
 Tel +353 1 8853008 Email info@comsec.ie WWW.Comsec.ie

Article number: SC-615BS  
 Alternative products: SC-630M-EB-Q,  
 SC-615M

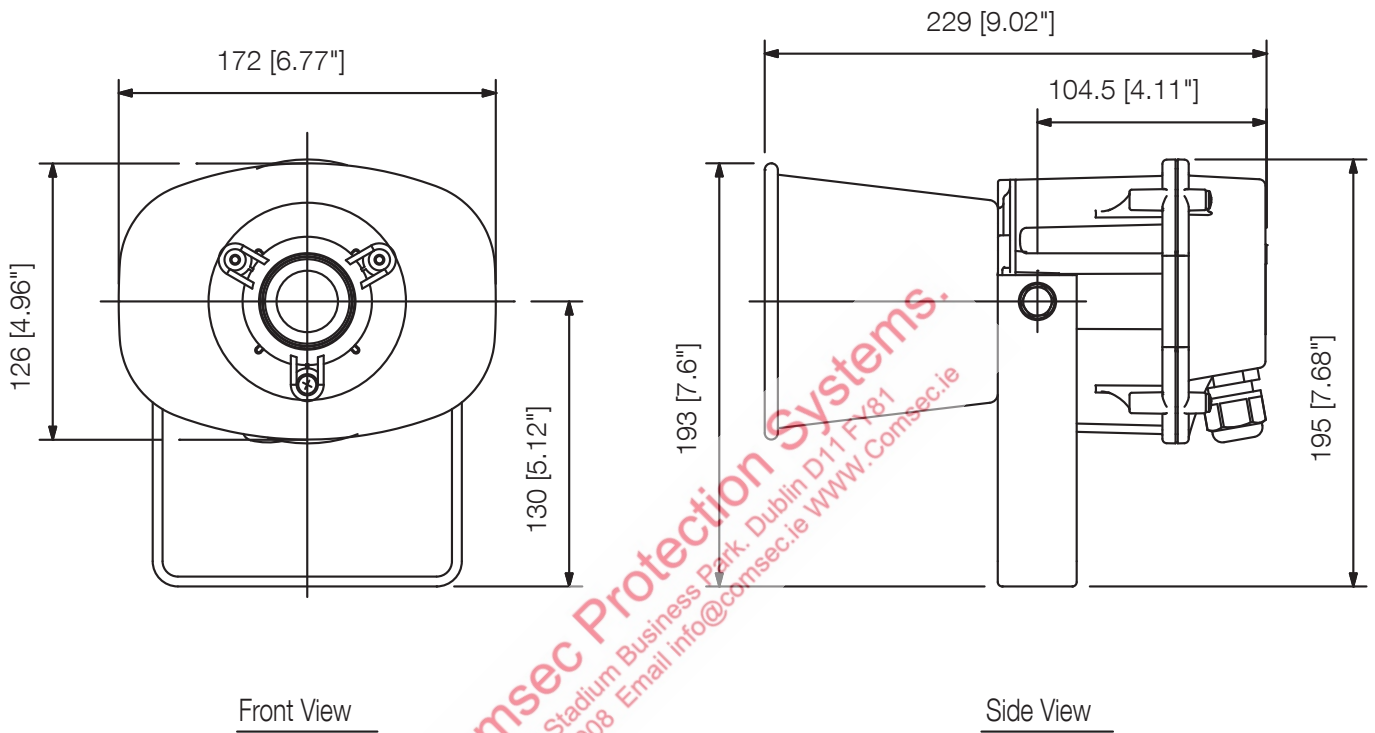
## Specifications

Frequency response	315 Hz - 12.5 kHz
Sensitivity (1#V, 1#m)	109 dB (500 Hz - 2,5 kHz, peak level)
Directivity Angle catalogue output	500 Hz: 360°/360° 1 kHz: 160°/200° 2 kHz: 85°/115° 4 kHz: 45°/60°
Rated input (High Impedance)	15 W
Tappings	100 V: 670 Ω (15 W) / 1 kΩ (10 W) / 2 kΩ (5 W) / 3.3 kΩ (3 W) 70 V: 330 Ω (15 W) / 670 Ω (10 W) / 1 kΩ (5 W) / 2 kΩ (2.5 W) / 3.3 kΩ (1.5 W)
Maximum sound pressure level (1 m)	110 dB (15 W, 100 Hz - 10 kHz, pink noise)
Connection	Screw terminal (steatite), can be bridge-connected
Operating temperature	-20 °C to +55 °C (-4 °F to 131 °F)
Certificates	EN 54-24, BS, IP65
Dimensions	172 x 195 x 229 mm (W x H x D)
Gross weight	1,8 KG
Finish	Aluminium, powder coating, off-white (RAL 9010 or equivalent), Reflector horn, trans case and terminal cover: ABS resin, off-white (RAL 9010 or equivalent) Bracket, screws and bolts: Stainless steel
Weight	1.5 kg

# SC-615BS

PAGING HORN SPEAKER

Appearance



Comsec Protection Systems.  
26 Stadium Business Park, Dublin D11 F181  
Tel +353 1 8853008 Email info@comsec.ie WWW.Comsec.ie