

Constructed with metal cabinet, the speaker is ideal for use in a voice alarm system. Can be surface- or flush-mounted to the wall. Either concealed in-wall wiring or exposed wiring can be used for speaker cable connection. The speaker structure of direct wall-mounting with screws prevents the speaker from falling easily even if an outward force is applied to. The input impedance can be easily changed by changing the tap position of the transformer. The built-in 16 cm double cone speaker unit delivers high quality sound. Two steatite screw terminal blocks (1 cable to 1 connection type) make bridge connection easier.



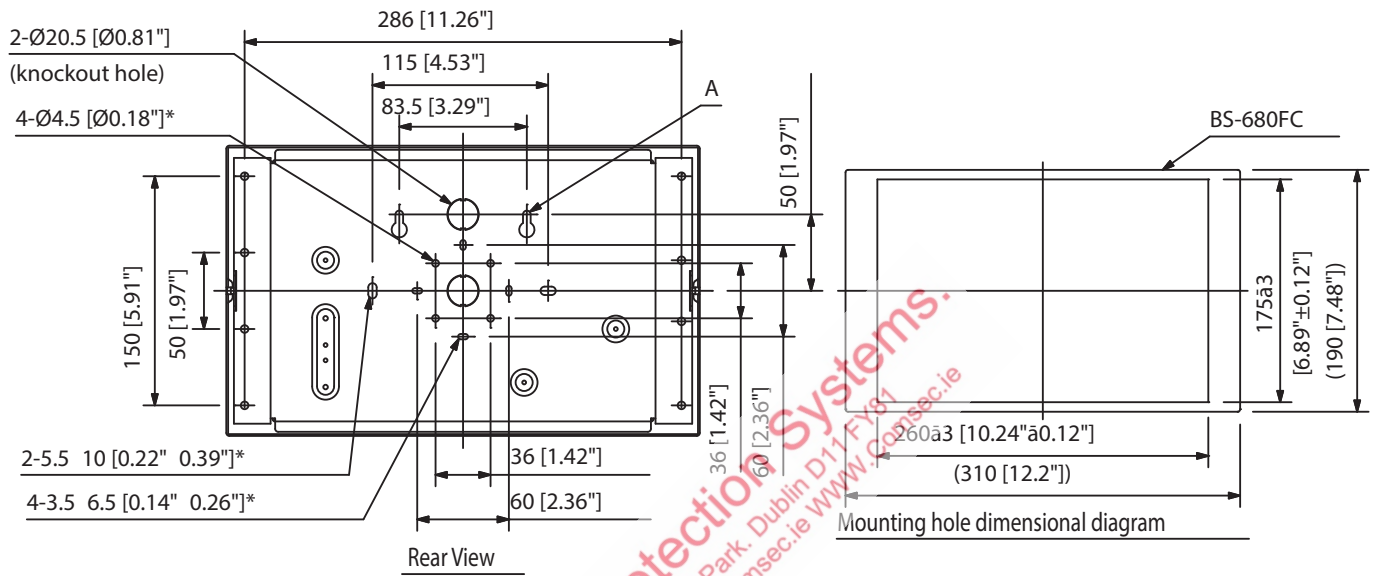
Comsec Protection Systems.
 26 Stadium Business Park, Dublin D11 F1Y81
 Tel: +353 1 8853008 Email: info@comsec.ie www.comsec.ie

Article number:BS-680FC

Specifications

Sensitivity (1#V, 1#m)	94 dB > 94 dB (1 W, 1 m) (500 Hz – 5 kHz, pink noise) > 77 dB (1 W, 4 m) (100 Hz – 10 kHz, pink noise) according to EN 54-24 > 89 dB (1 W, 1 m) (100 Hz – 10 kHz, pink noise) converted based on EN 54-24
Frequency response	150 Hz - 20 kHz
Directivity Angle catalogue output	500 Hz: 180°/180° 1 kHz: 140°/140° 2 kHz: 120°/120° 4 kHz: 100°/80°
Rated input (high impedance)	6 W (100 V), 3 W (70 V)
Speaker component	6" double cone-type
Finish	Steel plate, paint, off-white (RAL 9010 or equivalent),

Appearance



*Since no mounting screws are supplied with the speaker, separately prepare them appropriate for the construction of wall and its thickness.

Comsec Protection Systems.
26 Stadium Business Park, Dublin D11 F1R1
Tel +353 1 8853008 Email info@comsec.ie www.comsec.ie