



Conventional IS Manual Call Point

FUNCTION

The Conventional IS Manual Call Point has been designed to operate on conventional intrinsically safe fire detection systems.

Designed specifically for use in atmospheres in which explosive mixtures are or may be present, certain design considerations must be observed. Full information on this to be found in PP1095.

The Manual Call Point is available in two versions, indoor and outdoor in either red or yellow.

FEATURES

The Manual Call Point has an easily resettable element rather than a break glass. This call point is supplied with a backbox for surface mounting.

It also features a unique 'Plug and Play' installation concept designed specifically to reduce installation time. The call point utilises a terminal block, where all installation cabling is terminated.

The red Manual Call Point is approved to EN54-11 standard and complies with the requirements of the ATEX directive.

MECHANICAL CONSTRUCTION

The component parts of the call point are moulded in polycarbonate or ABS, depending on their function.

DIMENSIONS AND WEIGHT

Indoor	93mm x 89mm x 59.5mm	180g
Outdoor	93mm x 97.5mm x 71mm	350g



Part nos. 55100-031 (IS Indoor - Red)
55100-032 (IS Indoor - Yellow)
55100-033 (IS Outdoor - Red)
55100-034 (IS Outdoor - Yellow)

OPERATING PRINCIPLES

The Manual Call Point consists of a 470Ω resistor in series with a normally open switch contact.

The Manual Call Point helps reduce installation time as all the initial installation cabling is wired to a terminal block which connects neatly to the call point.

Once activated, the manual call point can be reset by inserting the test key into the bottom of the unit until the key clicks into position. Remove the test key and push the front cover up until it clicks home.



Overseas offices:
America China Germany Ireland

36 Brookside Road, Havant,
Hampshire, PO9 1JR, UK.

Tel: +44 (0)23 9249 2412
Fax: +44 (0)23 9249 2754

Email: sales@apollo-fire.co.uk
Web: www.apollo-fire.co.uk

A HALMA COMPANY

EMC DIRECTIVE 2004/108/EC

The Manual Call Point complies with the essential requirements of the EMC Directive 2004/108/EC, provided that it is used as described in this PIN sheet.

A copy of the Declaration of Conformity is available from Apollo on request.

Conformity of the Manual Call Point with the EMC Directive does not confer compliance with the directive on any apparatus or systems connected to it.

TECHNICAL DATA

Maximum Supply voltage	30VDC
Switch Rating	2A

Operating temperature	
Indoor	-10°C to +55°C
Outdoor	-25°C to +70°C

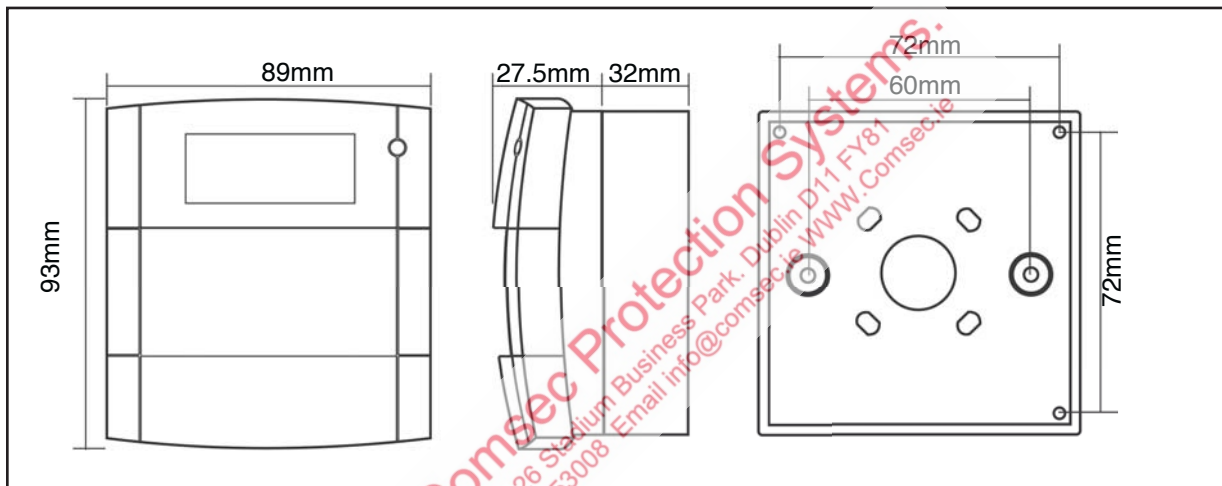
Humidity (no condensation) 0-93 ±3%(Ind/Out)

IP rating	
Indoor	24D
Outdoor	67

Complies with EMC Directive 2004/108/EC
Complies with EN54-11:2001
Complies with ATEX Directive 94/9/EC

DIMENSIONAL DRAWING

INDOOR



OUTDOOR

