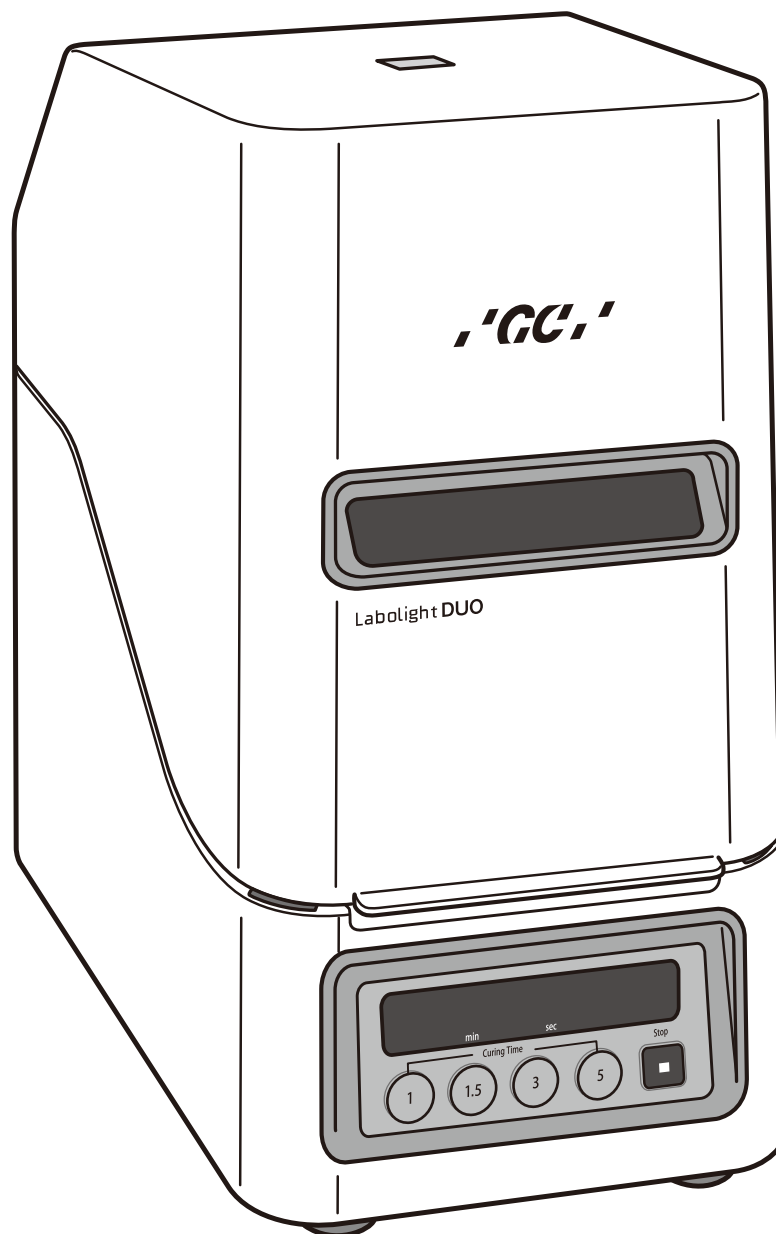


Labolight DUO

- (EN) LED Dual Mode Light Curing Unit for Indirect Composite Resin
- (DE) Lichthärtungs-Gerät mit dualer LED-Lichtquelle für indirekte Komposite
- (FR) Unité lumineuse LED à mode dual pour la photopolymérisation des résines composites indirectes
- (IT) Lampada LED a foto-polimerizzazione duale per resine composite da restauro indiretto
- (ES) Unidad de Fotopolimerización LED dual para resinas de composite indirecta
- (PL) Dwumodułowa lampa LED do polimeryzacji świetlnej żywic kompozytowych w technice pośredniej

Instructions for Use
Gebrauchsanweisung
Mode d'emploi
Istruzioni per l'uso
Instrucciones de uso
Instrukcja obsługi

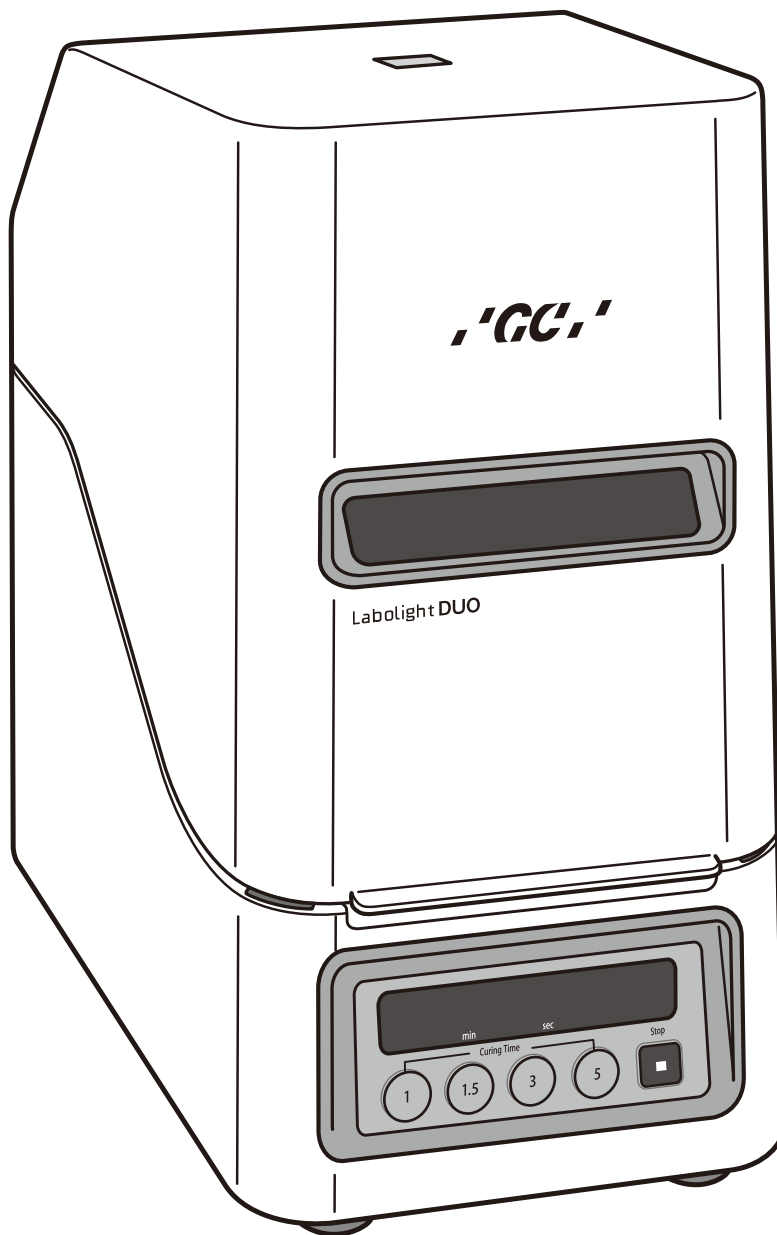


Labolight DUO

LED DUAL MODE LIGHT CURING UNIT FOR INDIRECT COMPOSITE RESIN

Prior to use, carefully read the instruction for use.

Instructions for Use



EN

GC

Table of contents

1. Introduction	EN 4
1.1 Intended use	EN 4
1.2 Features	EN 4
1.3 Symbols	EN 5
2. For Safe Use of the Unit	EN 6
3. Product Description	EN 8
3.1 Content of the package	EN 8
3.2 Names and functions of Parts	EN 9
3.2.1 Main body	EN 9
3.2.2 Control panel	EN 10
3.2.3 AC adapter and Power cord	EN 11
3.2.4 Rating Plate/Caution Label	EN 11
4. Installation Method	EN 12
4.1 Transportation	EN 12
4.2 Unpacking	EN 12
4.3 Installation	EN 12
4.4 Assembly	EN 13
4.5 Startup and Checkup	EN 14
4.6 Stoppage and Storage	EN 15
5. Use Method	EN 16
5.1 Basic use method	EN 16
5.2 Step mode	EN 17
5.3 Full mode	EN 18
5.4 Use method of the Curing stand set	EN 20
6. Maintenance	EN 21
6.1 Checkup	EN 21
6.2 Cleaning and Replacement of parts	EN 21
6.2.1 Cleaning method of respective portions	EN 22
6.2.2 Method of removing/remounting the Step mode switch cover	EN 23
6.2.3 Method of replacing the lens cover	EN 23
7. Troubleshooting	EN 25
8. Warranty and Repair	EN 27
9. Disposal	EN 28
10. Specifications	EN 28



EC DECLARATION OF CONFORMITY
According to Machinery Directive 2006/42/EC

19 June 2015

GC EUROPE N.V.
Research Park
Interleuvenlaan 33
B-3001 Leuven
Belgium

EN

We ensure and declare under our sole responsibility that the product :

Name/model: Labolight DUO

to which this declaration relates, meets the provisions of Council Directive

2006/42/EC for Machinery
2014/30/EU for Electromagnetic Compatibility and
2014/35/EU for Low-Voltage

and is in conformity with the following standards or other normative documents:

- IEC 61326-1:2012 Electrical equipment for measurement, control and laboratory use - EMC requirements - Part 1: General requirements
- IEC 61010-1:2010 Safety requirements for electrical equipment for measurement, control, and laboratory use - Part 1: General requirements
- IEC 62471:2006 Photobiological safety of lamps and lamp systems

and is manufactured in accordance with the technical documentation.

Leuven,19/06/2015.....
Date

.....
M. Aydin
Head Quality Assurance and
Regulatory Affairs
On behalf of GC EUROPE N.V.



GC Europe Head Office
Interleuvenlaan 33
B-3001 Leuven

1. Introduction

Thank you very much for purchasing our Labolight DUO.



– Follow these Instructions for Use prepared for proper and safe use of the unit. Store the Instructions for Use in a place easily accessible.



■ Be sure to observe the description of the Instructions for Use to ensure safety of the user and proper use of the unit. If the unit is used in a manner not specified by this instructions, the protection provided by the unit may be impaired.

We as a manufacturer are not responsible for any event such as damage caused by use incompatible with this unit or noncompliant with these instructions.

1.1 Intended use

The unit is used for light-curing dental composites.



■ Only personnel qualified for dental treatment are allowed to use the unit.










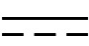
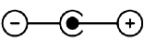
● Only use Labolight DUO for dental composites, as it is essentially designed for this purpose.

1.2 Features

- 1) Labolight DUO is a curing unit for dental professionals using LEDs as a light source.
- 2) Labolight DUO is mounted with 12 blue LEDs and 3 violet LEDs, enabling curing of any GC's composite product.
- 3) Labolight DUO allows preliminary curing with the door open (step mode).








1.3 Symbols




The symbols provided on this unit indicate the following meanings:

Symbols	Provision locations	Meanings
	Caution Label	Consult instruction for use.
	Caution Label	CAUTION : Visible radiation Possibly hazardous optical radiation emitted from this product. Do not stare at operating lamp. May be harmful to the eyes.
	Caution Label	NOTICE : Ultraviolet radiation UV emitted from this product. Minimise exposure to eyes or skin. Use appropriate shielding.
	LED Unit	CAUTION : Surface may be hot. ■ Do not touch the LED unit and its surroundings after using the unit for a long time. Otherwise, burn injury could be caused.
	Main Switch	ON (Power)
	Main Switch	OFF (Power)
	AC adapter	Alternating current
	Rating Plate AC adapter	Direct current
	Rating Plate AC adapter	Polarity of Direct current power connector

* For names of respective portions, see Chapter 3.

The symbols appearing in these instructions indicate the following meanings:

Symbols	Meanings
	WARNING: - As there is a risk of serious personal injury or property damage, be sure to use the unit by observing the description of the warning. CAUTION: - As there is a possibility of minor personal injury or property damage, be sure to use the unit by observing the description of the caution.
	CAUTION : Visible radiation Possibly hazardous optical radiation emitted from this product. Do not stare at operating lamp. May be harmful to the eyes.
	NOTICE : Ultraviolet radiation UV emitted from this product. Minimise exposure to eyes or skin. Use appropriate shielding.
	CAUTION : Surface may be hot.
	CAUTION : Risk of electric shock.
	Prohibition
	Notes : Important information and notes for using this unit

Symbols	Meanings
	Refer to this instructions for use.
	Disconnect mains plug from electrical outlet.
	Connect an earth terminal to the ground.

2. For Safe Use of the Unit

Observe the following warnings and cautions for using the unit safely.

WARNING

- Only personnel qualified for dental treatment are allowed to use the unit.
- Light-sensitive personnel such as those allergic to light are prohibited to use the unit. In addition, care must be taken for irradiation light not to shine on light-sensitive people such as those allergic to light.
- Personnel equipped with a heart pacemaker should not use the unit. Otherwise, the pacemaker could malfunction.
- When repairing a prosthesis removed from patient's oral cavity, disinfect it prior to placement in the unit. Otherwise, infection could be caused. If flammable disinfectant is used (e.g. Isopropyl alcohol based), there is risk of ignition/explosion if lamp is started with vapors in the chamber.
- Never disassemble or modify the unit. Otherwise, heat generation, ignition, or rupture could be caused.
- Be sure to observe the description of the Instructions for Use to ensure safety of the user and proper use of the unit. If the unit is used in a manner not specified by this instructions, the protection provided by the unit may be impaired.

RISK GROUP 2 (IEC 62471)

CAUTION

Possibly hazardous optical radiation emitted from this product.
Do not stare at operating lamp. May be harmful to the eyes.

- Do not directly look at the irradiation light. Otherwise, eyes could be damaged.
- Do not look in the unit for monitoring irradiation light in the step mode. Otherwise, eyes could be damaged.
- Avoid continuously looking at reflected lights by appropriately taking intermission when working on the unit in the step mode for a rather long time. Otherwise, discomfort could be felt.
- Do not continuously look inside the curing chamber through the window for a long time in the full mode. Otherwise, discomfort could be felt.
- Wear suitable protective equipment such as glasses that cut off light with a wavelength of 500 nm or less when continuously working on the unit for a long time or if you are sensitive to light or have a cataract or damaged retina, for example.
- Do not irradiate light on an object located closer to the light source than being recommended. Otherwise, the object could be heated.

NOTICE

UV emitted from this product.
Minimise exposure to eyes or skin. Use appropriate shielding.

- Do not bring your hands close to the irradiating light source. Otherwise, burn injury could be caused.
- When irradiating a prosthesis in the step mode, avoid locating your hands between the light source and the turntable as much as possible by using a crown clamp, for example. Otherwise, tanning could be caused due to a prolonged use.



CAUTION

- Do not touch the LED unit and its surroundings after using the unit for a long time. Otherwise, burn injury could be caused.
- Maintenance, if intended after a prolonged use, should be conducted after the unit temperature sufficiently lowers.



CAUTION

< General >

- Take care to ensure the stability of the unit in relation to inclination, vibration, and impact, for example.
- In case the unit fails or damages, stop using the unit immediately, turn off the main switch, and pull out the power plug.
- Do not attempt to repair the failed unit by yourself but request an expert to do it after providing an appropriate indication thereon.
- Do not use the unit with wet hands. Otherwise, the unit could fail.
- Do not splash water (or other liquids) on the unit.
- Do not handle liquid or metal powder in the curing chamber. In case liquid or dangerous material accidentally enters into the chamber, stop using the unit and request for repair.

< Installation, assembly, and storage >

- Do not install the unit in a place where chemicals are stored or gas is generated.
- Do not place flammable objects near the main body. Otherwise, fire could be caused.
- Do not place any equipment susceptible to light or heat in the unit's surroundings.
- Pay attention to the power source in terms of its frequency, voltage, and allowable current (or power consumption).
- Use the attached dedicated power cord and AC adapter.

< Usage >

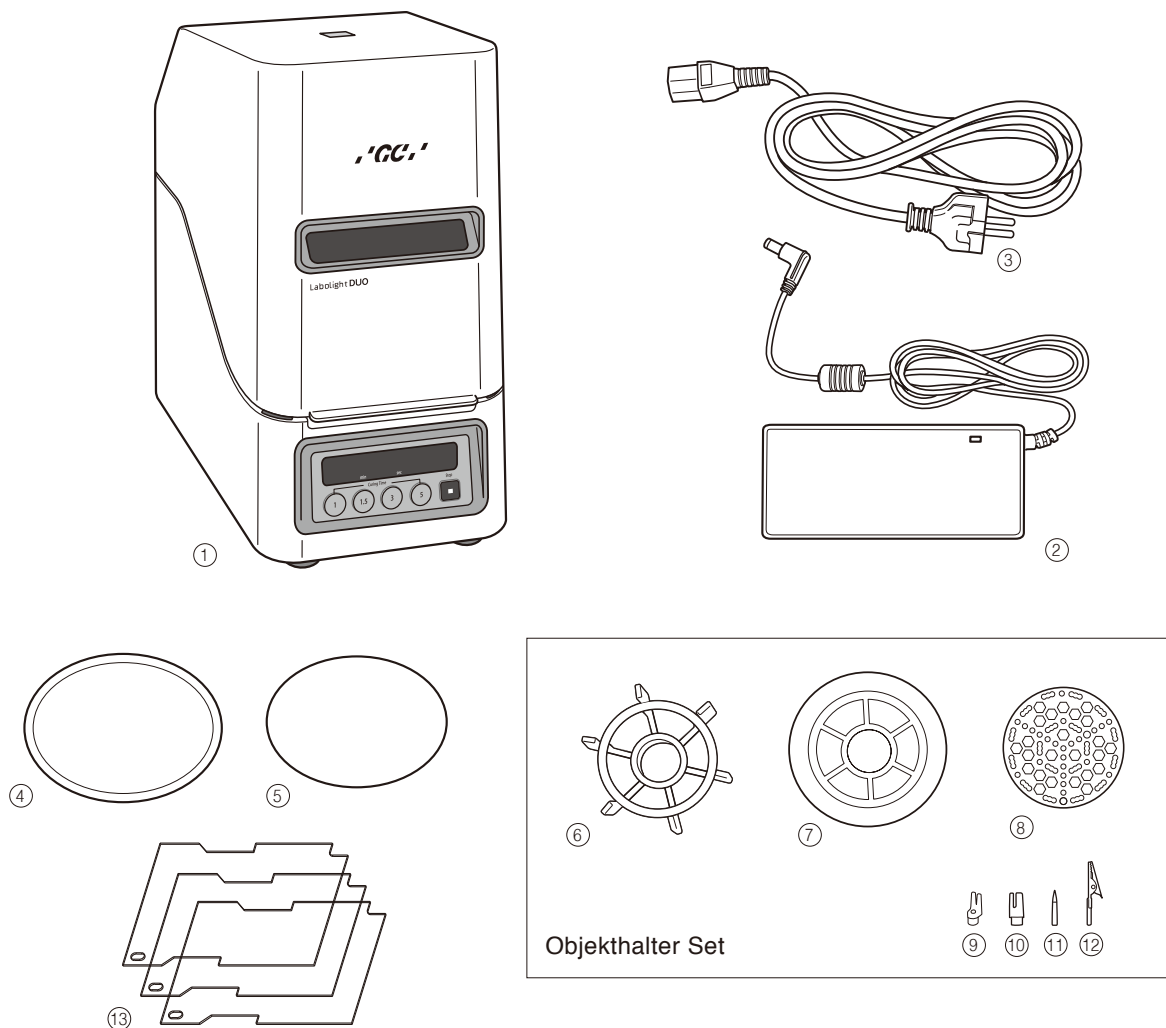
- Do not open/close the door swiftly. Otherwise, the door or the object inside the curing chamber could be damaged.
- When opening/closing the door, do not allow your hand or part of your body or the object to enter into below the door or the gap. Otherwise, personal injury or property damage could be caused.
- Do not touch the rotating turntable. Otherwise, your fingers could be caught or the turntable could be damaged.
- If anything is caught by the turntable, stop the turntable rotation by pressing the stop switch or turning off the main switch before removing the caught object.
- Clean off contamination of the lens cover or replace the contaminated cover. Otherwise, the contaminated portion is heated to cause deformation or melting of the cover.
- Arrange an object subject to curing with its curing surface facing the light source.
- Set curing time suitably for the use material.
- Be sure to verify the material for perfect curing upon the completion of curing. In case of insufficient curing, additionally irradiate light.
- Do not directly hold and cure a composite in hands in the step mode. Otherwise, burn injury could be caused by the hot composite.
- Do not remove a composite immediately after curing directly with hands in the full mode. Otherwise, burn injury could be caused by the hot composite.

< Maintenance >

- Be sure to perform regular checkup of the equipment and components.
- Be sure to clean the curing chamber regularly, as otherwise, the contaminated chamber could not exercise sufficient curing performance. If flammable disinfectant is used (e.g. Isopropyl alcohol based), there is risk of ignition/explosion if lamp is started with vapors in the chamber.
- Replace the lens cover regularly. Otherwise, the performance could be deteriorated due to aging and contamination.
- If the unit is used without the lens cover mounted, the performance could be deteriorated due to insufficient protection of the lens. Be sure to use the unit with the cover mounted.

3. Product Description

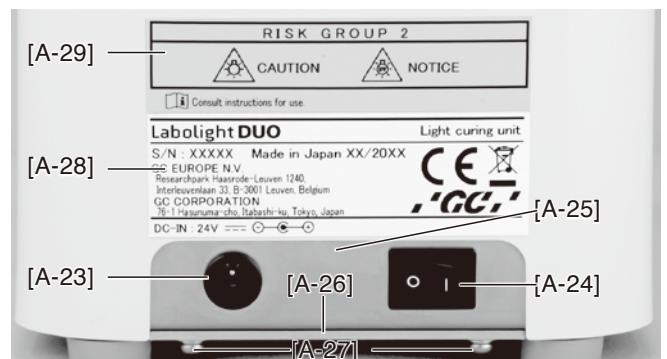
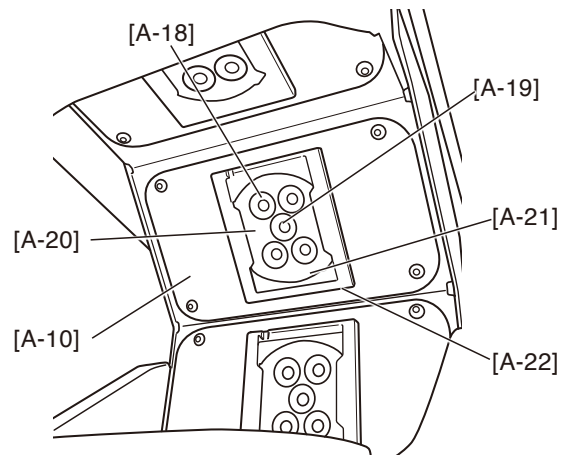
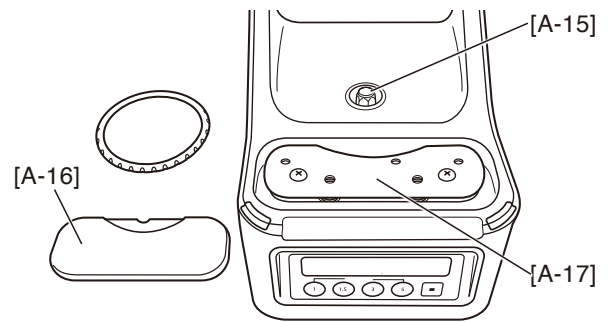
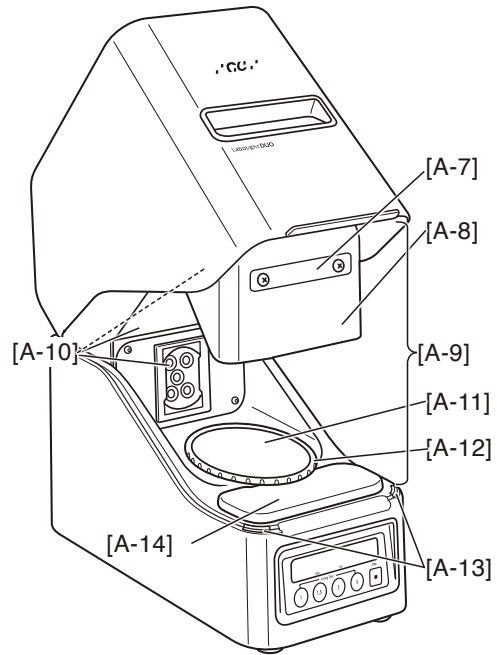
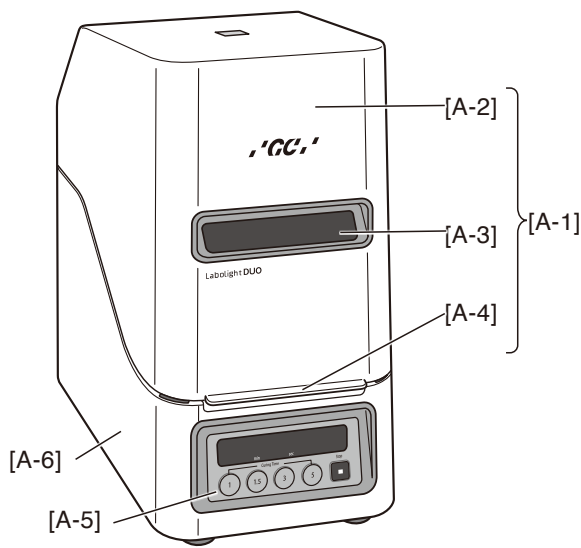
3.1 Content of the package



No.	Contents	Quantity	
①	Labolight DUO Main body	1	
②	AC adapter	1	
③	Power cord	1	
④	Turntable	1	
⑤	Tray	1	
⑥	Curing stand set	Curing stand holder	2
⑦		Curing Plate	1
⑧		Curing Stand	1
⑨		Silicone post for anterior	4
⑩		Silicone post for posterior	3
⑪		Metal post	4
⑫	Clip	1	
⑬	Lens cover (Spare/3-pack)	1	
	Instruction for Use	1	

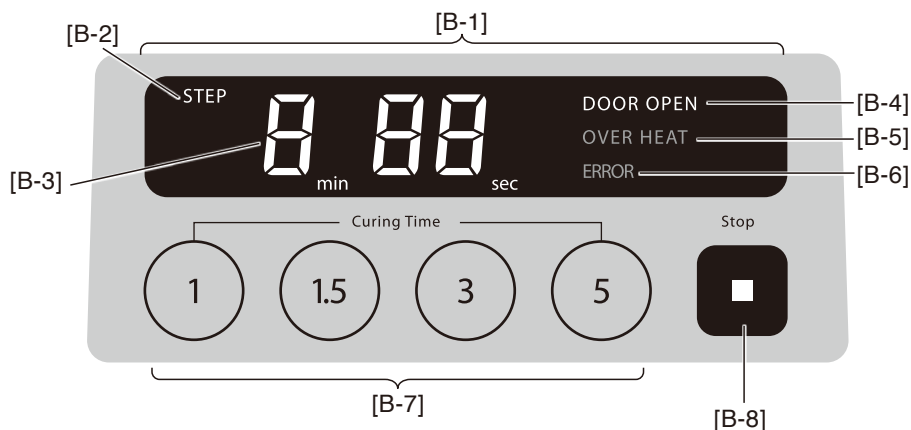
3.2 Names and functions of Parts

3.2.1 Main body



No.	Name
[A-1]	Door
[A-2]	Upper housing
[A-3]	Window
[A-4]	Handle
[A-5]	Control panel
[A-6]	Lower housing
[A-7]	Visor fixing plate
[A-8]	Visor
[A-9]	Curing Chamber
[A-10]	LED Unit (Upper/Middle/Lower)
[A-11]	Tray
[A-12]	Turntable
[A-13]	Door cushioning(buffer)
[A-14]	Step mode switch
[A-15]	Turntable axis
[A-16]	Step mode switch cover
[A-17]	Step mode switch plate
[A-18]	Blue LED (4 lamps circumferentially on each unit)
[A-19]	Violet LED (1 lamp at the center on each unit)
[A-20]	Lens
[A-21]	Lens cover
[A-22]	Lens cover holder
[A-23]	Power connector
[A-24]	Main Switch
[A-25]	Main Switch stay (Back plate)
[A-26]	Base plate
[A-27]	Rubber foot
[A-28]	Rating Plate
[A-29]	Caution Label

3.2.2 Control panel

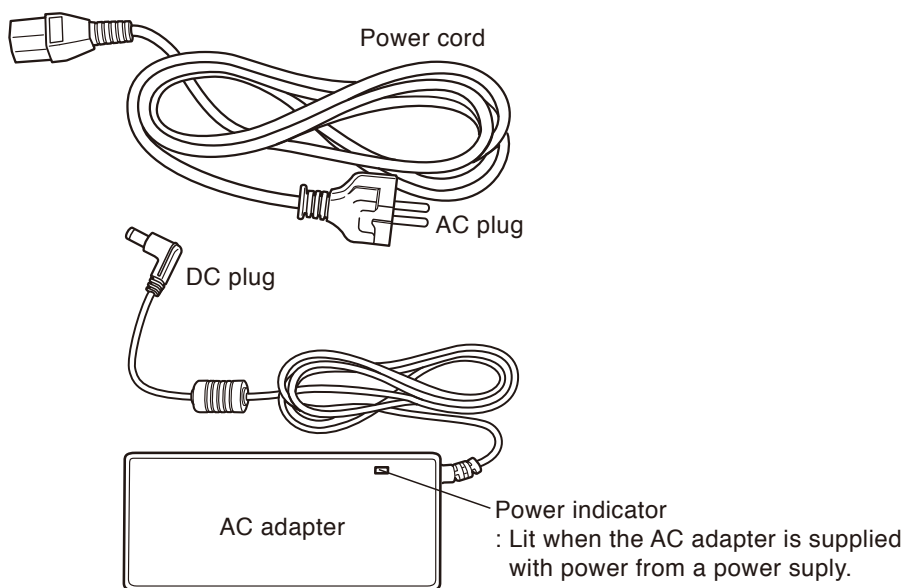


No.	Name	Information								
[B-1]	Display	Displays statuses of various devices.								
[B-2]	Step mode indicator	Lit during irradiation in the step mode.								
[B-3]	Time display	<ul style="list-style-type: none"> – Displays remaining time of irradiation in the step or full mode. – Blinking display of time indicates a temporary halt. <table border="1"> <tr> <td>Standby status with the door opened (= standby status in the step mode)</td> <td></td> </tr> <tr> <td>Standby status with the door closed (= standby status in the full mode)</td> <td></td> </tr> <tr> <td>When the full mode is properly completed, "Fin" is displayed.</td> <td></td> </tr> <tr> <td>If an error occurs, an error number is displayed.</td> <td></td> </tr> </table>	Standby status with the door opened (= standby status in the step mode)		Standby status with the door closed (= standby status in the full mode)		When the full mode is properly completed, "Fin" is displayed.		If an error occurs, an error number is displayed.	
Standby status with the door opened (= standby status in the step mode)										
Standby status with the door closed (= standby status in the full mode)										
When the full mode is properly completed, "Fin" is displayed.										
If an error occurs, an error number is displayed.										
[B-4]	Door open indicator	Unlit: Indicates the door closed. Lit: Indicates the door opened.								
[B-5]	Over heat indicator	Blinking: Temperature alarm <ul style="list-style-type: none"> – Alerts high temperature of LEDs due to continuous use. – Ensure a sufficient intermission, as the LEDs are nearly overheated. Lit: Overheat <ul style="list-style-type: none"> – Lit if irradiation is temporarily halted due to high LED temperature. 								
[B-6]	Error indicator	Lit if an error occurs. (For details of errors, see Chapter 7, "Troubleshooting.")								
[B-7]	Curing time key (1/1.5/3/5)	A press starts irradiation in the full mode. The time of irradiation is 1, 1.5, 3, and 5 minutes, respectively. Successive presses add time, enabling continuous irradiation for as long as 10 minutes.								
[B-8]	Stop key	Press it when stopping irradiation in the step or full mode or when resetting a temporary halt.								

Other operating unit

[A-13]	Step mode switch	A press starts irradiation for 10 seconds in the step mode. Successive presses add time, enabling continuous irradiation for as long as 30 seconds.
--------	------------------	--



3.2.3 AC adapter and Power cord






3.2.4 Rating Plate/Caution Label

< Rating Plate of the Main body >

Labolight DUO	Light curing unit
S/N : XXXXX Made in Japan XX/20XX GC EUROPE N.V. Researchpark Haasrode-Leuven 1240, Interleuvenlaan 33, B-3001 Leuven, Belgium GC CORPORATION 76-1 Hasunuma-cho, Itabashi-ku, Tokyo, Japan	
DC-IN : 24V 	

Labolight DUO	Light curing unit
S/N : XXXXX Made in Japan XX/20XX GC AMERICA INC. 3737 West 127th Street, Alsip, Illinois 60803 U.S.A. GC CORPORATION 76-1 Hasunuma-cho, Itabashi-ku, Tokyo, Japan	
DC-IN : 24V 	

< Caution Label of the Main body >

RISK GROUP 2	
 CAUTION	 NOTICE
 Consult instructions for use.	

4. Installation Method

4.1 Transportation

Note

- Care should be taken for avoiding impact on the unit by arranging it at level during transportation.
- Use dedicated packing materials.

For the safe disposal and recycling of the packaging, please ensure that all packing materials are properly disposed of according to current recycling regulations.

4.2 Unpacking

Verify all components are delivered prior to installation and assembly (see Section 3.1, “Content of the package”). In addition, check for any damage of the unit during transportation. Contact the dealer or GC in case any missing or damaged component is found.

4.3 Installation

- 1) Install the unit with care being taken for the following:
 - Place the unit on a level and fire-resistant bench or platform.
 - For temperature, humidity, and atmospheric pressure in the use environment, see Chapter 9, “Specifications.”
 - For dimensions and weight of the unit, see Chapter 9, “Specifications.”

Area of installation: Approx. 200mm × 350mm

CAUTION

- Do not install the unit in a place where chemicals are stored or gas is generated.
- Do not place flammable objects near the main body. Otherwise, fire could be caused.
- Do not place any equipment susceptible to light or heat in the unit’s surroundings.

CAUTION

- Take care to ensure the stability of the unit in relation to inclination, vibration, and impact, for example.

Note

- When carrying the main body, hold it on the bottom by both hands with the door closed.
- Use the unit indoor.
- Install the main body on a level place.
- Install the unit in a place where not receiving any adverse effect from direct sunlight, dust, dampness, air containing salt and sulfur, or a heater nearby.
- Install the unit in a place where no water splashes.
- Install the unit in a well-ventilated place.

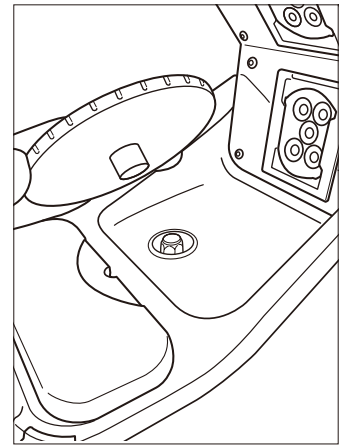
- 2) Verify that a movable range of the door is ensured.

CAUTION

- When opening/closing the door, do not allow your hand or part of your body or the object to enter into below the door or the gap. Otherwise, personal injury or property damage could be caused.

4.4 Assembly

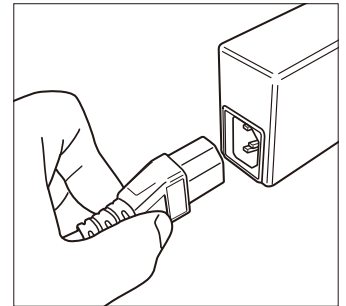
- 1) Pull the door slowly and rotationally upward by holding the handle.
- 2) Set the turntable in alignment with the turntable shaft.
*Six aligning positions are provided at an interval of 60 degrees where the turntable can be pushed deeply to the bottom. Select one of the six positions.
- 3) Set a tray in the concave provided on the top surface of the turntable.



CAUTION

- When opening/closing the door, do not allow your hand or part of your body or the object to enter into below the door or the gap. Otherwise, personal injury or property damage could be caused.

- 4) Connect the power cord to the AC adapter.
- 5) Connect the DC plug of the AC adapter to the power connector located on the rear surface of the main body.
- 6) Connect the power cord to the 3P outlet(100-240 AC).
*see Chapter 10 ,“Specifications”.
- 7) Verify that the power indicator is lit on the AC adapter.
→ If unlit, recheck the connections



CAUTION

- Be sure to provide grounding when connecting the power plug.

CAUTION

- Pay attention to the power source in terms of its frequency, voltage, and allowable current (or power consumption).
- Use the attached dedicated power cord and AC adapter.

Note

- Only use genuine parts and accessories. Using other than genuine parts and accessories will cause termination of warranty and no more liability from GC.

4.5 Startup and Checkup

1) Turn on the main switch with the door closed to verify the following:

	Time appears on the display. (see Item 3.2.2)
--	---

2) Press the step mode switch once with the door opened to verify the following:

	The step mode switch can be pressed. When released, the switch returns to the original position.
	The LEDs only in the upper row are lit. * Do not directly look at the LEDs during this operation.
	The step mode indicator is lit on the display. The time indicated on the display is counted down by 10 seconds.
	No strong irradiation or reflection light shines on surrounding people or objects.

* If any fault is observed with the unit, press the stop key to stop irradiation.



■ Despite the low emission rate, do not look in the unit for monitoring irradiation light in the step mode. Do not introduce any object which might impose light into the eyes. Otherwise, eyes could be damaged.

3) Press the curing time key (one minute) with the door opened to verify the following:

*Complete the verification within 20 seconds since the unit is stopped due to determination of an open door error if the time longer than 20 seconds elapses.

	At least any one of the four blue LEDs in each of the upper, middle, and lower rows is lit dimly. * The violet LED is unlit at this time. * At least any one of the four LEDs being lit is acceptable even though in a very rare case, the LED may not be lit at all due to only faint current flowing.
	The turntable rotates.
	Irradiation stops in 20 seconds.

* If any fault is observed with the unit, press the stop key to stop irradiation.



4) Press the curing time key (one minute) with the door closed to verify the following:

	The LEDs in the middle and lower rows are lit when observing through the window.
	The turntable rotates when observing through the window. (If making a judgment is difficult, use the appended curing stand.)
	The displayed time is counted down.
	Irradiation stops in one minute.

* If any fault is observed with the unit, press the stop key to stop irradiation.



 **CAUTION**

- Do not continuously look inside the curing chamber through the window for a long time in the full mode. Otherwise, discomfort could be felt.

 **CAUTION**

- In case the unit fails or damages, stop using the unit immediately, turn off the main switch, and pull out the power plug.

 **Note**

- Before using the unit after a prolonged stoppage, be sure to verify that the unit operates normally and safely.

4.6 Stoppage and Storage

1) Close the door and turn off the main switch.

 **Note** 

- When not using the unit for a long time, unplugging the power cord is recommended for energy saving.

 **CAUTION**

- Do not insert or pull out the plug with wet hands. Otherwise, electric shock could be caused.
- When disconnecting cords, do not exert excessive force thereon by, for example, holding them for pullout.

2) Clean the unit to prepare for smoothly starting the next operation (see Chapter 6, “Maintenance”).

 **CAUTION**

- Be sure to clean the curing chamber regularly, as otherwise, the contaminated chamber could not exercise sufficient curing performance.

3) Store the unit with care for the following:

- For temperature, humidity, and atmospheric pressure in the storage environment, see Chapter 9, “Specifications.”

 **CAUTION**

- Take care to ensure the stability of the unit in relation to inclination, vibration, and impact, for example.

 **Note**

- Install the unit in a place where not receiving any adverse effect from direct sunlight, dust, dampness, air containing salt and sulfur, or a heater nearby.
- Install the unit in a place where no water splashes.

5. Use Method

5.1 Basic use method

Note

- Verify normal operation of the unit prior to use.
- Pay special attention to the following during use of the unit:
 - Monitor the entire unit for any fault at all times.
 - In case of any fault found on the unit, take appropriate action such as shutting down the unit.

WARNING

- Light-sensitive personnel such as those allergic to light are prohibited to use the unit. In addition, care must be taken for irradiation light not to shine on light-sensitive people such as those allergic to light.
- Personnel equipped with a heart pacer should not use the unit.
- Otherwise, the pacer could malfunction.

WARNING

- When repairing a prosthesis removed from patient's oral cavity, disinfect it prior to placement in the unit. Otherwise, infection could be caused.

- 1) Turn on the main switch and verify that something appears on the time display.(see Item 3.2.2)
- 2) Cure a composite in the step mode (see Section 5.2) or full mode (see Section 5.3).

CAUTION

- Do not directly look at the irradiation light. Otherwise, eyes could be damaged.
- Do not irradiate light on an object located closer to the light source than being recommended. Otherwise, the object could be heated.
- Do not bring your hands close to the irradiating light source. Otherwise, burn injury could be caused.

CAUTION

- Wear suitable protective equipment such as glasses that cut off light with a wavelength of 500 nm or less when continuously working on the unit for a long time or if you are sensitive to light or have a cataract or damaged retina, for example.

CAUTION

- To operate the switch, use your fingers but not any sharp tool.

CAUTION

- When opening/closing the door, do not allow your hand or part of your body or the object to enter into below the door or the gap. Otherwise, personal injury or property damage could be caused.

CAUTION

- Arrange an object subject to curing with its curing surface facing the light source.
- Set curing time suitably for the use material.
- Be sure to verify the material for perfect curing upon the completion of curing. In case of insufficient curing, additionally irradiate light.
- Clean off contamination of the lens cover or replace the contaminated cover. Otherwise, the contaminated portion is heated to cause deformation or melting of the cover.

3) After use, close the door and turn off the main switch. (see Section 4.6)

 **CAUTION** 

■ Do not touch the LED unit and its surroundings after using the unit for a long time. Otherwise, burn injury could be caused.

 **Note** 

● When not using the unit for a long time, unplugging the power cord is recommended for energy saving.

5.2 Step mode

 **Note**

● Use the step mode only for pre-curing.

1) Open the door and verify the door open indicator being lit.
(Standby status in the step mode)



2) Place an object subject to curing in the recommended curing position (described below) and press the Step mode switch.

- Light irradiation only by upper LEDs immediately starts and remaining time appears on the time display.
- Ten seconds is added to the remaining time by additionally pressing the Step mode switch with light irradiation in progress.
- The maximum 30 seconds of addition is possible.

  **CAUTION** 

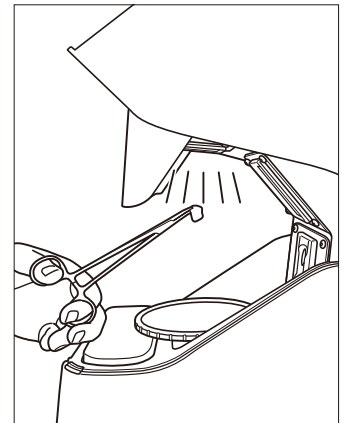
- Do not look in the unit for monitoring irradiation light in the step mode. Otherwise, eyes could be damaged.
- Avoid continuously looking at reflected lights by appropriately taking intermission when working on the unit in the step mode for a rather long time. Otherwise, discomfort could be felt.
- Do not bring your hands close to the irradiating light source. Otherwise, burn injury could be caused.

  **CAUTION**

■ When irradiating a prosthesis in the step mode, avoid locating your hands between the light source and the turntable as much as possible by using a crown clamp, for example. Otherwise, tanning could be caused due to a prolonged use.

 **CAUTION** 

■ Do not directly hold and cure a composite in hands in the step mode. Otherwise, burn injury could be caused by the hot composite.



3) Upon the completion of light irradiation, remove the object subject to curing.

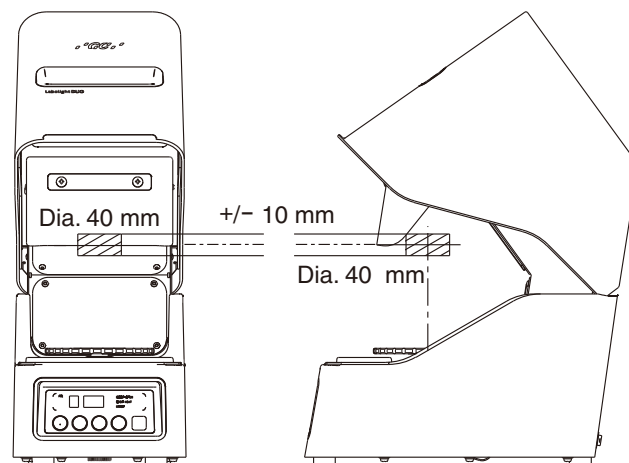
* Using the unit for a long time may result in blinking of the overheat indicator due to excessively high temperature of LEDs (temperature warning). With the occurrence of temperature warning, taking intermission for the period equivalent to the previous curing time is recommended.

* A further rise in temperature will result in a forced stop of operation for allowing the LEDs to cool down, thereby irradiation being disabled.

< Recommended curing position in the step mode >

Place a composite within the hatched area as shown in the diagram.

(Hatched area: Inside the circle of about 40mm diameter directly above the turntable and besides $\pm 10\text{mm}$ from the visor rim)



5.3 Full mode

1) Open the door and place an object subject to curing on the turntable (see Section 5.4).

i Note

- Use the turntable to irradiate light on a composite entirely.
- When concurrently curing multiple composites, arrange them such that no shade is formed on each other.

2) Upon verifying the door open indicator being unlit, close the door.
(Standby status in the full mode)



3) Select and press a Curing timer key that matches recommended time for the object subject to curing .
- Light irradiation immediately starts and remaining time appears on the time display.
- By additionally pressing the Curing timer key with light irradiation in progress, time corresponding to the key is added to the remaining time. The maximum 10 minutes of addition is possible.

i Note

- In the full mode, monitor the turntable rotation through the window.

CAUTION

- Do not continuously look inside the curing chamber through the window for a long time in the full mode. Otherwise, discomfort could be felt.
- Do not irradiate light on an object located closer to the light source than being recommended. Otherwise, the object could be heated.

CAUTION

- If anything is caught by the turntable, stop the turntable rotation by pressing the stop switch or turning off the main switch before removing the caught object.

* For stopping curing in the middle of the process, press the stop key. A standby status is established accordingly.

* A temporary halt of curing is established by opening the door during curing or pressing the timer key with the door remaining opened. In this event, only the blue LEDs are dimly lit and the turntable continues to rotate.
- In 15 seconds, alert sound starts and in 20 seconds, error sounds and operation stops.
- By closing the door within 20 seconds, the temporary halt is released and full mode irradiation restarts.

* Using the unit continuously for a long time may result in blinking of the overheat indicator due to excessively high temperature of LEDs. (Temperature warning)

With the occurrence of temperature warning, it is recommended to conduct light irradiation for the maximum 5 minutes and then take intermission for the period equivalent to the irradiation time. The maximum settable time is 5 minutes with temperature warning being displayed.

* A further rise in temperature results in a temporary stop of the full mode for giving the LEDs intermission, and operation restarts automatically when the LEDs sufficiently cool down. Pressing the stop key or leaving the door opened resets the remaining time.

4) The remaining time of “0” indicates the end of curing.

The end is also indicated by finish sound and display of “Fin.”

Upon verifying the display, open the door and remove the object.



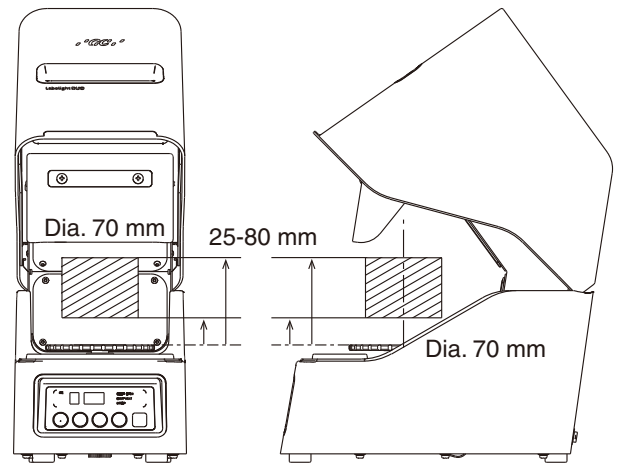
CAUTION

■ Do not remove a composite immediately after curing directly with hands in the full mode. Otherwise, burn injury could be caused by the hot composite.

< Recommended curing position in the full mode >

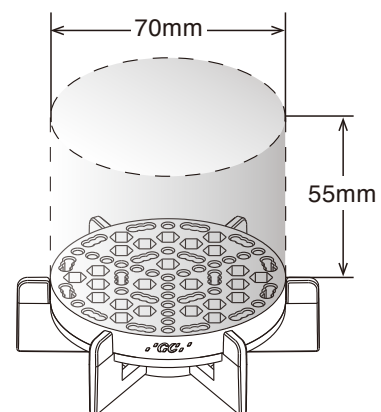
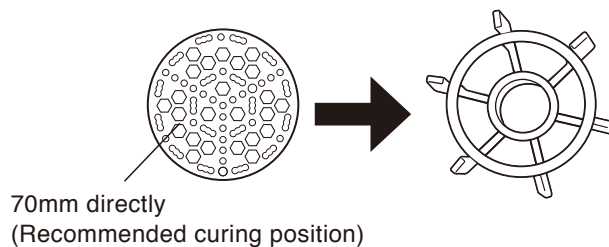
Place an object subject to curing within the hatched area as shown in the diagram.

(Hatched area: Inside the circle with a diameter of about 70mm directly above the turntable, and a height of 25 to 80mm from the upper surface of the turntable)



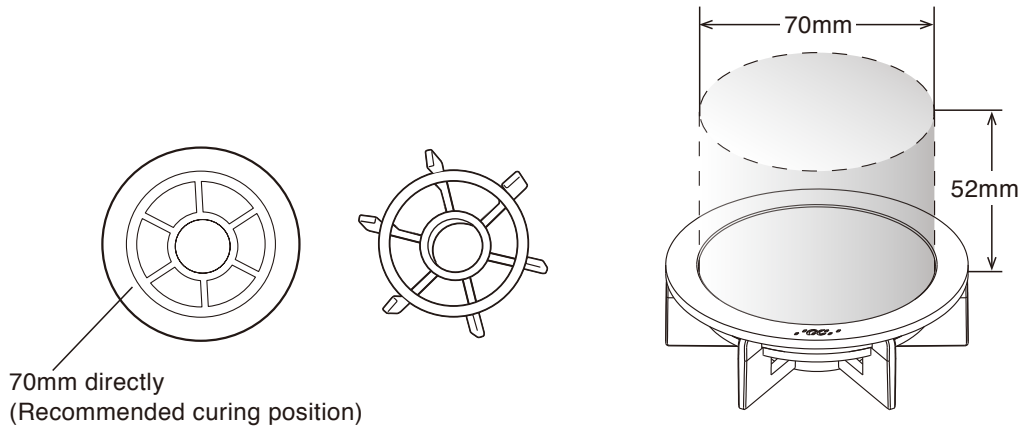
- 1) A prosthesis alone such as crown and bridge
/ A prosthesis placed on a model equipped with dowel pin

Use “Curing stand” and “Curing stand holder”
(For more detail on the Curing stand, see Section 5.4)



2) A prosthesis or artificial tooth with a height of 52mm or less placed on a model

Use "Curing plate" and "Curing stand holder"



3) A prosthesis or artificial tooth with a height of 52mm or more placed on a model




Place it together with the model on the turntable.

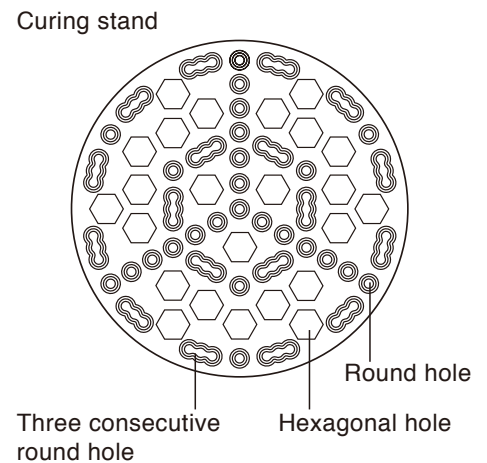
i Note

- When placing an object subject to curing outside the recommended curing range, set curing time rather larger since light may not sufficiently shine on the object.
- Care should be taken that if a prosthesis or model placed outside the 100mm outer diameter of the turntable or higher than 80mm, interference of the object subject to curing or model with the visor or the curing chamber wall occurs, thereby causing improper or unable rotation of the turntable.

5.4 Use method of the Curing stand set

For a prosthesis alone, such as crown and bridge, or that placed on a model equipped with dowel pin, set it in combination with the curing stand and various posts by referring to the following examples of use.

-  **Clip**
Fixes a prosthesis and inserted into a round hole or three consecutive round holes provided on the curing stand.
-  **Metal post**
Receives a prosthesis and inserted into a round hole or three consecutive round holes provided on the curing stand.
-  **Silicone post**
Receives a prosthesis and inserted into a hexagonal hole provided on the curing stand. Cut the protrusion for use, as needed.



Prosthesis placed on a model equipped with a dowel pin

The model with a prosthesis thereon is placed on the curing stand by inserting the dowel pin into the hexagonal hole provided on the stand.

6. Maintenance

6.1 Checkup

Perform checkup and maintenance by taking the following recommended intervals as an indication:

CAUTION

- Be sure to perform regular checkup of the equipment and components.

	Contents	Details
Daily checkup	Verifying LEDs being lit Verifying state of the turntable	After pressing the timer key with the door opened, verify lighting of respective LEDs and proper rotation of the turntable. With any failure existing, a curing defect occurs. (For details, see Section 4.5, "Startup and checkup.")
	Checking the lens cover for contamination	Clean the lens cover if contaminated. (See Section 6.2, "Cleaning and replacement of respective portions.")
Weekly checkup	Whether the connections are sound	Verify the sound connection of the AC adapter and power cord, and check them for accumulation of dust.
	Checking the step mode switch for contamination	Clean the step mode switch if attached with dust and dirt. (See Section 6.2, "Cleaning and replacement of respective portions.")
	Checking inside the curing chamber for contamination	Clean the curing chamber if contaminated. (See Section 6.2, "Cleaning and replacement of respective portions.")
Parts replacement	Replacing the lens cover (Replacement interval as an indication: 1 year *depends on frequency of usage)	Heavy discoloration, contamination or scratches of the lens might result in a curing defect. When checkup of the lens cover is performed and find discoloration, contamination or scratches which cannot be cleaned, replace the lens cover. *Lens cover potentially be discolored by aging. (See Section 6.2, "Cleaning and replacement of respective portions.")

CAUTION

- Be sure to clean the curing chamber regularly, as otherwise, the contaminated chamber could not exercise sufficient curing performance. If flammable disinfectant is used (e.g. Isopropyl alcohol based), there is risk of ignition/explosion if lamp is started with vapors in the chamber.

Note

- In case a LED unit fails, other LED units can still properly irradiate light. However, as the total amount of light is reduced, the curing time should be extended and curing status should be sufficiently monitored. The failed LED unit should be promptly repaired.

6.2 Cleaning and Replacement of parts

Be sure to plug off the power cord so that the unit is not activated during cleaning or replacement work.

CAUTION

- Maintenance, if intended after a prolonged use, should be conducted after the unit temperature sufficiently lowers.




■ Turn off the main switch and plug off the power cord prior to cleaning or parts replacement.

6.2.1 Cleaning method of respective portions



■ Be sure to clean the curing chamber regularly, as otherwise, the contaminated chamber could not exercise sufficient curing performance.

Contents	Details
Lens cover	<p>Wipe off with a soft cloth wetted with a small amount of water or alcohol. * In case of any discoloration, contamination or scratches cannot be cleaned, replace the lens cover. * Lens cover potentially be discolored by aging.</p> <div style="border: 1px solid black; padding: 5px; text-align: center;"> CAUTION </div> <p>■ Clean off contamination of the lens cover or replace the contaminated cover. Otherwise, the contaminated portion is heated to cause deformation or melting of the cover. ■ If the unit is used without the lens cover mounted, the performance could be deteriorated due to insufficient protection of the lens. Be sure to use the unit with the cover mounted.</p>
Turntable	<p>Wipe off with a soft cloth wetted with a small amount of water or alcohol. * Pull up the turntable for removal. * When remounting the turntable, rotate it to find one of the six positions (provided at an interval of 60 degrees) where the turntable enters deeply into the bottom.</p>
Step mode switch	<p>Wipe off with a soft cloth wetted with a small amount of water or alcohol. For dirt accumulated in a clearance, remove the step mode switch cover and clean by using a cotton swab, for example. (for removal method, see Item 6.2.3)</p> 
Visor	Wipe off with a soft cloth wetted with a small amount of water or alcohol, in principle.
Housing, Curing Chamber	Wipe off with a soft cloth wetted with a small amount of water or alcohol, in principle.
Curing stand holder	Wipe off with a soft cloth wetted with a small amount of water or alcohol, in principle.
Tray Metal post Clip	<p>Wipe off with a soft cloth wetted with a small amount of water or alcohol, in principle. * Disinfection with chemical solution allowed. * Autoclave sterilization possible</p>
Curing plate Curing stand Silicone post	<p>Wipe off with a soft cloth wetted with a small amount of water or alcohol, in principle. * Disinfection with chemical solution allowed. * Autoclave sterilization possible (However, repetitive operation causes deterioration.)</p>

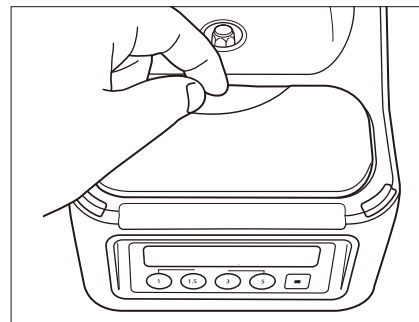


- For cleaning the unit, use a soft cloth wetted with a small amount of water or alcohol. In addition, do not use organic solvent (thinner, benzene, etc.).
- Care should be taken for the unit being possibly whitened in the portion where organic solvent attaches. Immediately wipe off such a solvent if attached.

6.2.2 Method of removing/remounting the Step mode switch cover

< Removal method >

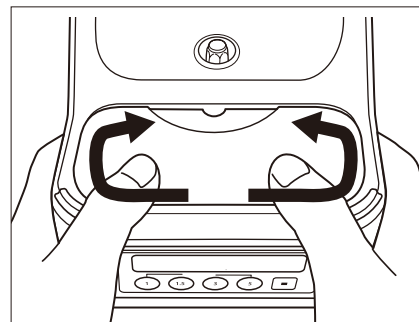
With the turntable removed, remove the cover by hooking the notches thereof on your fingers.



< Mounting method >

Align the protrusion of the step mode switch cover with the hole of the step mode switch plate and insert the protrusion into the hole.

* Going over the plate circumference with the cover protrusion makes the work easy before pressing the protrusion into the hole.

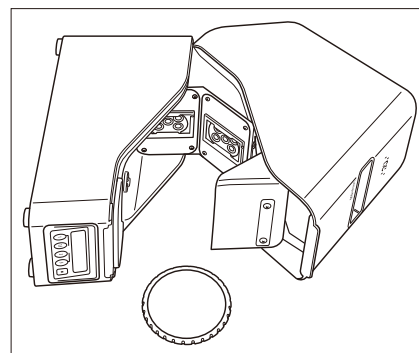


EN

6.2.3 Method of replacing the lens cover

< Preparation >

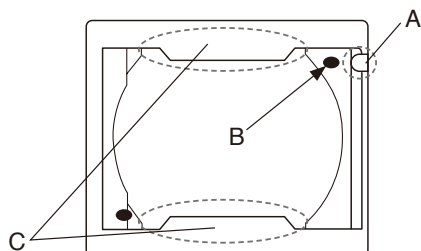
- 1) Turn off power and pull out the AC adapter.
- 2) Remove the turntable and lay the main body laterally.



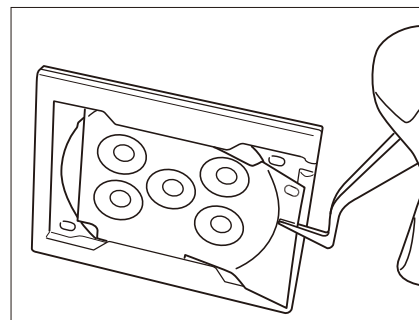
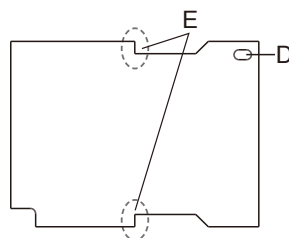
< Removal method >

- 3) Insert your fingernail or tweezers into the clearance formed [A] between the lens holder and the lens cover through the concave on the holder, and then slide the cover toward the concave [A].

Lens cover holder

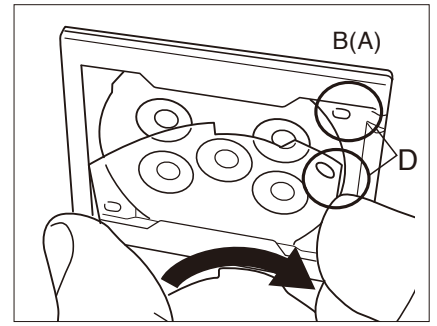


Lens cover

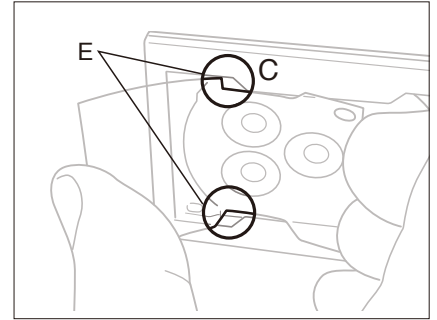


< Mounting method >

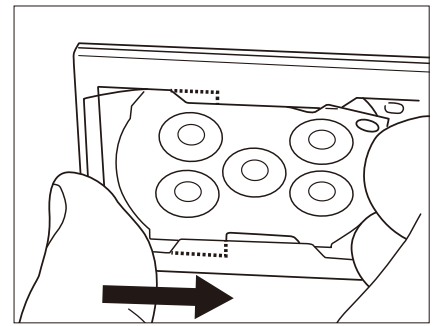
4) As the front and back surfaces of the lens cover has a difference in profiles, ensure the proper orientation where the hole of the lens cover [D] aligns with the protrusion of the lens cover holder near the concave [B(A)].



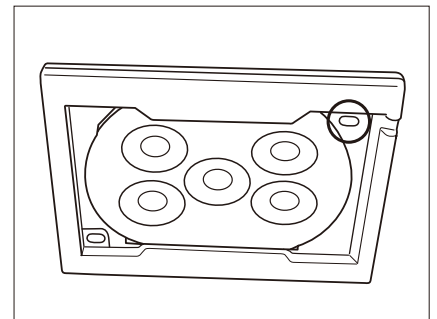
5) By slightly bending the lens cover outward, insert the notch [right angle] of the lens cover [E] into the wing of the lens holder [C].



6) Slide the lens cover for mounting.



7) Verify that the protrusions of the lens cover holder [B] engage with the lens cover hole [D].



7. Troubleshooting

Before requesting for repair based on your judgment of a failure on an event, conduct checking as follows. If nothing matches the following, contact your dealer or our branch or sales office.

Symptoms		Causes	Measures
Turning on the main switch does not result in power on (nothing appears on the display).		Pulled out cords	Check the main body, AC adapter, power cord, and outlet for unsound connection.
		Use of different power cord and AC adapter	Check that it's used the attached dedicated power cord and AC adapter.
		Defect of the AC adapter or power cord	The AC adapter and/or power cord must be replaced. Contact your dealer or our branch or sales office.
		Blown fuse	The fuse mounted inside the unit must be replaced. Contact your dealer or our branch or sales office.
No light is irradiated in the step mode.	The overheat indicator is lit.	Temporary halt due to overheat of LED(s)	Wait for the LED(s) to cool down before restart. In case the trouble frequently occurs, contact your dealer or our branch or sales office.
	The door open indicator is unlit.	Malfunction or failure of the open/close detection sensor of the door	Widely open the door and check again.
	Even though display is normal, the upper row LEDs are unlit.	Failure or disconnection of LED(s)	The LED unit must be replaced. Contact your dealer or our branch or sales office. For the checking method of LEDs, see Chapter 6.
No light is irradiated in the full mode.	The overheat indicator is lit and the remaining time blinks on the display.	Temporary halt due to overheat of LED(s) (Irradiation is temporarily halted.)	Wait for the LED(s) to cool down before restart. In case the trouble frequently occurs, contact your dealer or our branch or sales office.
	The overheat indicator is lit and "Fin" is displayed on the display.	Temporary halt due to overheat of LED(s) (Irradiation is completed.)	Wait for the LED(s) to cool down before restart. In case the trouble frequently occurs, contact your dealer or our branch or sales office.
	Even though display is normal, the LEDs are unlit.	Failure or disconnection of LED(s)	The LED unit must be replaced. Contact your dealer or our branch or sales office. For the checking method of LEDs, see Chapter 6.
Light is excessively dim in the full mode, or curing performance is deteriorated.	The door indicator is lit upon start of irradiation in the full mode, and the set time is not counted down.	Temporary halt due to the open door	Check the door for anything caught in a clearance. Completely close the door before use.
	Display is normal and all LEDs are lit.	Contamination or scratches of optical components	Light output might be reduced due to contamination or scratches of the optical components. Clean inside the curing chamber and lens cover, or replace the lens cover, as needed (see Chapter 6).
	Even though display is normal, no LED is lit.	Failure or disconnection of LED(s)	The LED unit must be replaced. Contact your dealer or our branch or sales office. For the checking method of LEDs, see Chapter 6.
The turntable does not rotate.		Interfered turntable	Remove the turntable and check it for intrusion of foreign material into the rear surface or the shaft.
The turntable does not rotate.		Failed turntable motor	The motor must be replaced. Contact your dealer or our branch or sales office.

Symptoms		Causes	Measures
An error is generated and no operation is possible (the error indicator is lit).	"E01" is displayed on the display.	Defective temperature sensor	The unit may have detected excessively low or high temperature, or the temperature sensor may have failed. Immediately stop using the unit and check it for any defect. Use the unit in a temperature range of 10 to 40°C. In case the trouble is persistent even after turning on the main switch under the normal temperature environment, contact your dealer or our branch or sales office.
	"E02" is displayed on the display.	Disconnection of LEDs in the upper row or suspected defect of temperature sensor	An error is being notified after irradiation is completed, as a temperature fault of LEDs in the upper row was detected during irradiation in the full mode. Check the upper row LEDs upon the occurrence of this error (see Chapter 6). The error is reset by turning on the main switch again.
	"E03" is displayed on the display.	Step mode switch remaining pressed	Foreign material such as dirt may be caught to cause the switch remaining pressed. Clean the switch (see Chapter 6). Turning off the switch releases the error.
	"E04" is displayed on the display.	Failure or disconnection of Violet LED in the upper LED unit	The error is reset by turning on the main switch again. If the same error occurs every time a Full mode / Step mode use, the LED unit must be replaced. Contact your dealer or our branch or sales office.
	"E05" is displayed on the display.	Failure or disconnection of Violet LED in the middle LED unit	The error is reset by turning on the main switch again. If the same error occurs every time a Full mode use, the LED unit must be replaced. Contact your dealer or our branch or sales office.
	"E06" is displayed on the display.	Failure or disconnection of Violet LED in the lower LED unit	

*Since any symptoms other than those listed above probably indicate product's failure, contact your dealer or our branch or sales office.

 Note

- In case a LED unit fails, other LED units can still properly irradiate light. However, as the total amount of light is reduced, the curing time should be extended and curing status should be sufficiently monitored. The failed LED unit should be promptly repaired.

 WARNING 

- Never disassemble or modify the unit. Otherwise, heat generation, ignition, or rupture could be caused.

 CAUTION 

- In case the unit fails or damages, stop using the unit immediately, turn off the main switch, and pull out the power plug.
- Do not attempt to repair the failed unit by yourself but request an expert to do it after providing an appropriate indication thereon.

8. Warranty and Repair

We take all possible care for manufacturing and quality of our product. Still, if you experience any failure of the product during the warranty period, we repair it without charge within the scope of the warranty as described. Contact your dealer or our branch or sales office as needed.

We as a manufacturer are not responsible for any event such as damage caused by use incompatible with this unit or noncompliant with these Instructions for Use.

The warranty period of the unit is as follows. In addition, note that consumables (see the following list) are not subject to warranty.

Warranty period : 1 year

Note

- It is expressly prohibited to open, disassemble or remodel the unit, or use the device in a manner not covered by these instructions, as this will to be used below.

< List of consumables >

Description	Code
Curing stand holder 1 pcs	009139
Curing plate 1 pcs	009140
Curing stand 1 pcs	009141
Silicone post for anterior 1 pcs	009142
Silicone post for posterior 1 pcs	009143
Metal post 1 pcs	009144
Clip 1 pcs	009145
Lens cover 3 pcs	009146
Step mode switch cover 1 pcs	009147
Turntable 1 pcs	009148
Tray 1 pcs	009149
Curing stand set (Curing stand holder×2, Curing plate×1, Curing stand×1, Silicone post for anterior×4, Silicone post for posterior×3, Metal post×4, Clip×1)	009138

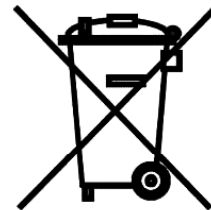
Note

- Only use genuine parts and accessories. Using other than genuine parts and accessories will lead to the termination of the warranty, guarantee and liability of the manufacturer.

9. Disposal

Your product is marked with this symbol for an environmentally responsible recycling/ disposal of your product. Do not discard it with normal waste.

Please be aware that this product is compliant with the European Directive 2012/19/EC (WEEE) and the laws applicable in your country for environmentally responsible recycling/ disposal. Please ask GC Europe or your GC dealer when and where your product will have to be disposed of.



10. Specifications

Name/Model		Labolight DUO
Light source	Number of light source	Blue LED : 12 (4 x 3 Units) Violet LED : 3 (1 x 3 Units)
	Peak wavelength	Blue LED : 465nm-485nm Violet LED : 390nm-400nm
	Wavelength range	380nm – 510 nm (Typical)
Power supply	Input of the AC adapter	100-240V AC , 50-60 Hz , 1.2A MAX
	Output of the AC adapter	24V DC , 3.75A
	Input of the main body	24V DC (+/- 5%) , 60VA
Dimensions	Door closed	Width 159mm x Depth 290mm x Height 297mm
	Door open	Width 159mm x Depth 307mm x Height 418mm
Weight		Body : 5.3 kg (without "Curing stand set") AC adapter : 0.4 kg Power cord : 0.2 kg
Environmental conditions in use		For indoor use only
		Temperature : 10°C - 40°C
		Relative Humidity : 30%-75% RH
		Altitude up to 2000 m or Barometric pressure 700hPa-1060hPa
		Installation category (Overvoltage category) II
		Main supply voltage fluctuation +/- 10%
Environmental conditions at transport and storage		Pollution degree 2
		Temperature : -10°C - 50°C
		Relative Humidity : 30%-75% RH
		Altitude up to 2000 m or Barometric pressure 700hPa-1060hPa

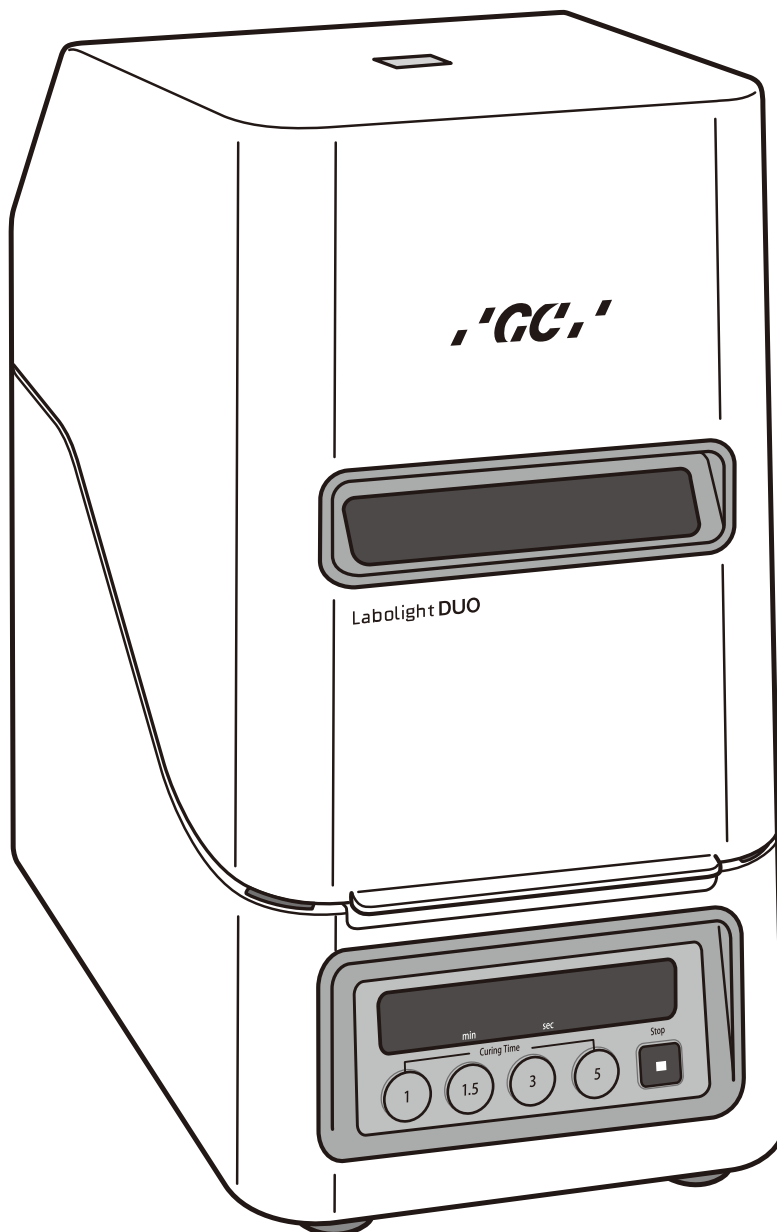
* Note that the specifications of the product are subject to change for improvement without prior notice.

Labolight DUO

LICHTHÄRTUNGS-GERÄT MIT DUALER LED-LICHTQUELLE FÜR INDIREKTE KOMPOSITE

Vor der Verwendung die Gebrauchsanweisung sorgfältig lesen.

Gebrauchsanweisung



DE

GC

Inhalt

1. Einführung	DE 4
1.1 Verwendungszweck	DE 4
1.2 Eigenschaften	DE 4
1.3 Symbole	DE 4
2. Sichere Verwendung des Geräts	DE 6
3. Produktbeschreibung	DE 8
3.1 Packungsinhalt	DE 8
3.2 Namen und Funktionen	DE 9
3.2.1 Haupteinheit	DE 9
3.2.2 Bedienfeld	DE 10
3.2.3 Netzteil und Netzkabel	DE 11
3.2.4 Typenschild/Hinweisschild	DE 11
4. Aufbau	DE 12
4.1 Transport	DE 12
4.2 Auspacken	DE 12
4.3 Aufstellung	DE 12
4.4 Montage	DE 13
4.5 Starten und Überprüfen	DE 14
4.6 Ausschalten und Aufbewahrung	DE 15
5. Verwendungsmethode	DE 16
5.1 Grundlegende Verwendungsmethode	DE 16
5.2 Intervallmodus	DE 17
5.3 Vollmodus	DE 18
5.4 Verwenden des Objektständer-Sets	DE 20
6. Wartung	DE 21
6.1 Kontrolle	DE 21
6.2 Reinigen und Austauschen von Teilen	DE 22
6.2.1 Reinigungsmethoden für verschiedene Bereiche	DE 22
6.2.2 Entfernen/Anbringen der Abdeckung der Intervallmodus-Taste	DE 23
6.2.3 Austauschen der Lampenabdeckung	DE 23
7. Fehlerbehebung	DE 24
8. Gewährleistung und Reparatur	DE 27
9. Entsorgung	DE 28
10. Technische Daten	DE 28



KONFORMITÄTSERKLÄRUNG

Gemäß Maschinenrichtlinie 2006/45/EG

19. Juni 2015

**GC Europe N.V.
Research Park
Interleuvenlaan 33
B-3001 Leuven
Belgien**

Wir versichern und erklären in alleiniger Verantwortung, dass das Produkt:

Name/Modell: Labolight DUO

auf das sich diese Erklärung bezieht, die Bestimmungen der Richtlinie

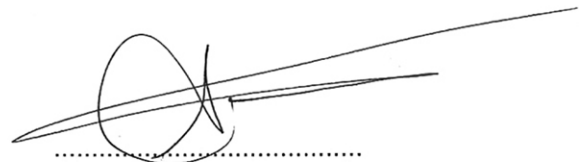
**2006/42/EG für Maschinen
2014/30/EU für elektromagnetische Verträglichkeit und
2014/35/EU für Niederspannung**

sowie die folgenden Normen und anderen normativen Dokumente erfüllt:

IEC 61326-1:2012	Elektrische Mess-, Steuer-, Regel- und Laborgeräte – EMV-Anforderungen – Teil 1: Allgemeine Anforderungen
IEC 61010-1:2010	Sicherheitsbestimmungen für elektrische Mess-, Steuer-, Regel- und Laborgeräte - Teil 1: Allgemeine Anforderungen
IEC 62471:2006	Photobiologische Sicherheit von Lampen und Lampensystemen

Das Gerät entspricht der technischen Dokumentation.

Leuven, 19.06.2015.....
Datum



[Unterschrift]

M. Aydin

Leiter Qualitätssicherung und
Zulassungen

Im Auftrag von GC Europe N.V.



GC Europe Head Office
Interleuvenlaan 33
B-3001 Leuven

DE

1. Einführung

Vielen Dank, dass Sie sich für Labolight DUO entschieden haben.

Hinweis

– Halten Sie sich an diese Gebrauchsanweisungen, um eine korrekte und sichere Handhabung des Geräts zu gewährleisten. Bewahren Sie die Gebrauchsanweisungen an einem leicht zugänglichen Ort auf.

WARNUNG

■ Beachten Sie die Beschreibungen in dieser Gebrauchsanweisung, um eine korrekte und sichere Handhabung des Geräts zu gewährleisten. Bei Nichteinhaltung der Gebrauchsanweisungen kann die Sicherheit des Geräts beeinträchtigt werden.

Als Hersteller sind wir nicht haftbar für Schäden, die durch die unsachgemäße Verwendung dieses Geräts oder die Nichteinhaltung der Gebrauchsanweisung entstehen.

1.1 Verwendungszweck

Das Gerät dient zur Lichthärtung von Dentalkompositen.

WARNUNG

■ Dieses Gerät darf nur von qualifiziertem Fachpersonal bedient werden.

Hinweis






● Verwenden Sie das Labolight DUO nur für Dentalkomposite. Es ist speziell für diese Materialien ausgelegt.



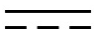
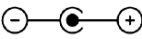
1.2 Eigenschaften

- 1) Labolight DUO ist ein LED-Lichthärtungsgerät für den dentalen Einsatz.
- 2) Labolight DUO umfasst 12 blaue und 3 violette LEDs und ist in der Lage, alle Kompositprodukte von GC zu härten.
- 3) Labolight DUO ermöglicht die Vorhärtung bei geöffneter Tür (Intervallmodus).

1.3 Symbole











Die auf diesem Gerät aufbrachten Symbole haben folgende Bedeutung:

Symbole	Befindet sich auf	Bedeutung
	Hinweisschild	Gebrauchsanweisung beachten.
	Hinweisschild	VORSICHT: Sichtbare Strahlung Von diesem Produkt geht möglicherweise gefährliche optische Strahlung aus. Nicht in die Lichtquelle blicken. Kann zu Schäden am Auge führen.
	Hinweisschild	HINWEIS: Ultraviolette Strahlung Von diesem Produkt geht UV-Strahlung aus. Haut und Augen sollten dieser Strahlung möglichst wenig ausgesetzt werden. Entsprechende Schutzmaßnahmen ergreifen.
	LED-Einheit	VORSICHT: Heiße Oberfläche. ■ LED-Einheit und Umgebung nicht berühren, wenn das Gerät längere Zeit im Einsatz war. Verbrennungsgefahr.
	Netzschalter	EIN (Power)

Symbole	Befindet sich auf	Bedeutung
	Netzschalter	AUS (Power)
	Netzteil	Wechselstrom
	Typenschild Netzteil	Gleichstrom
	Typenschild Netzteil	Polarität des Gleichstromanschlusses

* Bezeichnungen finden Sie in Kapitel 3.

Die in dieser Gebrauchsanweisung verwendeten Symbole haben folgende Bedeutung:

Symbole	Bedeutung
	WARNUNG: - Beachten Sie bei der Verwendung des Geräts die entsprechenden Warnhinweise, um Verletzungen und Sachschäden zu vermeiden. VORSICHT: - Beachten Sie bei der Verwendung des Geräts die entsprechenden Vorsichtshinweise, um Verletzungen und Sachschäden zu vermeiden.
	VORSICHT: Sichtbare Strahlung Von diesem Produkt geht möglicherweise gefährliche optische Strahlung aus. Nicht in die Lichtquelle blicken. Kann zu Schäden am Auge führen.
	HINWEIS: Ultraviolette Strahlung Von diesem Produkt geht UV-Strahlung aus. Haut und Augen sollten dieser Strahlung möglichst wenig ausgesetzt werden. Entsprechende Schutzmaßnahmen ergreifen.
	VORSICHT: Heiße Oberfläche.
	VORSICHT: Stromschlaggefahr
	Verboten
	Hinweise: Wichtige Informationen und Hinweise zur Verwendung des Geräts
	In dieser Gebrauchsanweisung nachlesen
	Stecker aus der Steckdose ziehen
	Erdungsanschluss legen

2. Sichere Verwendung des Geräts

Beachten Sie die folgenden Warn- und Vorsichtshinweise für die sichere Verwendung des Geräts.

WARNUNG

- Dieses Gerät darf nur von qualifiziertem Fachpersonal bedient werden.
- Lichtempfindliche Personen (Lichtallergiker) dürfen dieses Gerät nicht bedienen. Außerdem muss darauf geachtet werden, dass lichtempfindliche Personen (Lichtallergiker) sich nicht im Bereich der Lichteinstrahlung aufhalten.
- Personen mit Herzschrittmacher dürfen dieses Gerät nicht bedienen.
Es kann zu Fehlfunktionen des Herzschrittmachers kommen.
- Bei der Reparatur von Prothesen, die aus der Mundhöhle des Patienten genommen wurden, müssen diese desinfiziert werden, bevor sie in das Gerät gelegt werden. Andernfalls kann es zu Infektionen kommen. Bei der Verwendung von brennbaren Desinfektionsmitteln (z. B. auf der Basis von Isopropylalkohol), besteht Brand-/Explosionsgefahr, wenn die Leuchtmittel eingeschaltet werden, solange sich noch entsprechende Dämpfe in der Kammer befinden.
- Das Gerät darf nicht auseinander genommen oder modifiziert werden. Andernfalls kann es zu Hitzeentwicklung, Selbstentzündung oder Rissen kommen.
- Beachten Sie die Beschreibungen in dieser Gebrauchsanweisung, um eine korrekte und sichere Handhabung des Geräts zu gewährleisten. Bei Nichteinhaltung der Gebrauchsanweisungen kann die Sicherheit des Geräts beeinträchtigt werden.

RISIKOGRUPPE 2 (IEC 62471)

VORSICHT

Von diesem Produkt geht möglicherweise gefährliche optische Strahlung aus.
Nicht in die Lichtquelle blicken. Kann zu Schäden am Auge führen.

- Blicken Sie nicht direkt in das Licht. Es kann zu Schäden am Auge kommen.
- Blicken Sie nicht in das Gerät, um die Lichtstrahlung im Intervallmodus zu überwachen. Es kann zu Schäden am Auge kommen.
- Blicken Sie nicht kontinuierlich in Reflektionslicht. Machen Sie Pausen, wenn Sie für längere Zeit im Intervallmodus arbeiten. Andernfalls kann es zu Unwohlsein kommen.
- Blicken Sie im Vollmodus nicht für längere Zeit kontinuierlich durch das Fenster in die Kammer. Andernfalls kann es zu Unwohlsein kommen.
- Tragen Sie geeignete Schutzausrüstung, beispielsweise eine Schutzbrille, die alle Wellenlängen unterhalb 500 nm blockiert, wenn Sie längere Zeit durchgehend mit dem Gerät arbeiten, wenn Sie lichtempfindlich sind, wenn Sie unter einem Augenstar oder Netzhautschäden leiden usw.
- Bringen Sie Objekte nur im maximal empfohlenen Abstand in die Nähe der Lichtquelle. Andernfalls kann es zu Hitzeschäden am Objekt kommen.

HINWEIS

Von diesem Produkt geht UV-Strahlung aus.
Haut und Augen sollten dieser Strahlung möglichst wenig ausgesetzt werden. Entsprechende Schutzmaßnahmen ergreifen.

- Halten Sie Ihre Hände von der Lichtquelle fern. Verbrennungsgefahr.
- Achten Sie beim Bestrahlen einer Prothese im Intervallmodus darauf, dass Ihre Hände möglichst nicht zwischen die Lichtquelle und die Drehplatte kommen. Verwenden Sie beispielsweise eine Zange. Bei längerer Nutzung kann es andernfalls zu Hautverfärbungen kommen.



VORSICHT

- LED-Einheit und Umgebung nicht berühren, wenn das Gerät längere Zeit im Einsatz war. Verbrennungsgefahr.
- Sollten nach längerer Nutzung Wartungsarbeiten erforderlich sein, muss das Gerät zunächst ausreichend abkühlen.



VORSICHT

< Allgemein >

- Achten Sie darauf, das Gerät zu stabilisieren, beispielsweise im Hinblick auf Neigung, Vibration oder Stöße.
- Bei einer Fehlfunktion des Geräts oder wenn es beschädigt ist, darf das Gerät nicht mehr verwendet werden. Schalten Sie den Netzschalter aus und ziehen Sie das Kabel aus der Steckdose.
- Versuchen Sie nicht, das defekte Gerät selbst zu reparieren. Wenden Sie sich an einen entsprechend ausgebildeten Techniker.
- Bedienen Sie das Gerät nur mit trockenen Händen. Das Gerät könnte herunterfallen.
- Vermeiden Sie den Kontakt mit Wasser oder anderen Flüssigkeiten.
- Bringen Sie keine Flüssigkeiten oder Metallpulver in die Aushärtekammer. Wenn Flüssigkeiten oder gefährliche Materialien in die Kammer gelangen, schalten Sie das Gerät sofort aus und wenden Sie sich zur Reparatur an einen Techniker.

< Aufstellung, Montage und Aufbewahrung >

- Stellen Sie das Gerät nicht an Orten auf, an denen Chemikalien gelagert werden oder Gase entstehen können.
- Stellen Sie keine brennbaren Objekte in die Nähe der Haupteinheit. Es besteht Brandgefahr.
- Stellen Sie keine licht- oder wärmeempfindlichen Geräte in die Nähe des Geräts.
- Achten Sie auf Frequenz, Spannung und zulässige Stromaufnahme (oder Energieverbrauch) der Stromquelle.
- Verwenden Sie das mitgelieferte Netzkabel sowie das Netzteil.

< Verwendung >

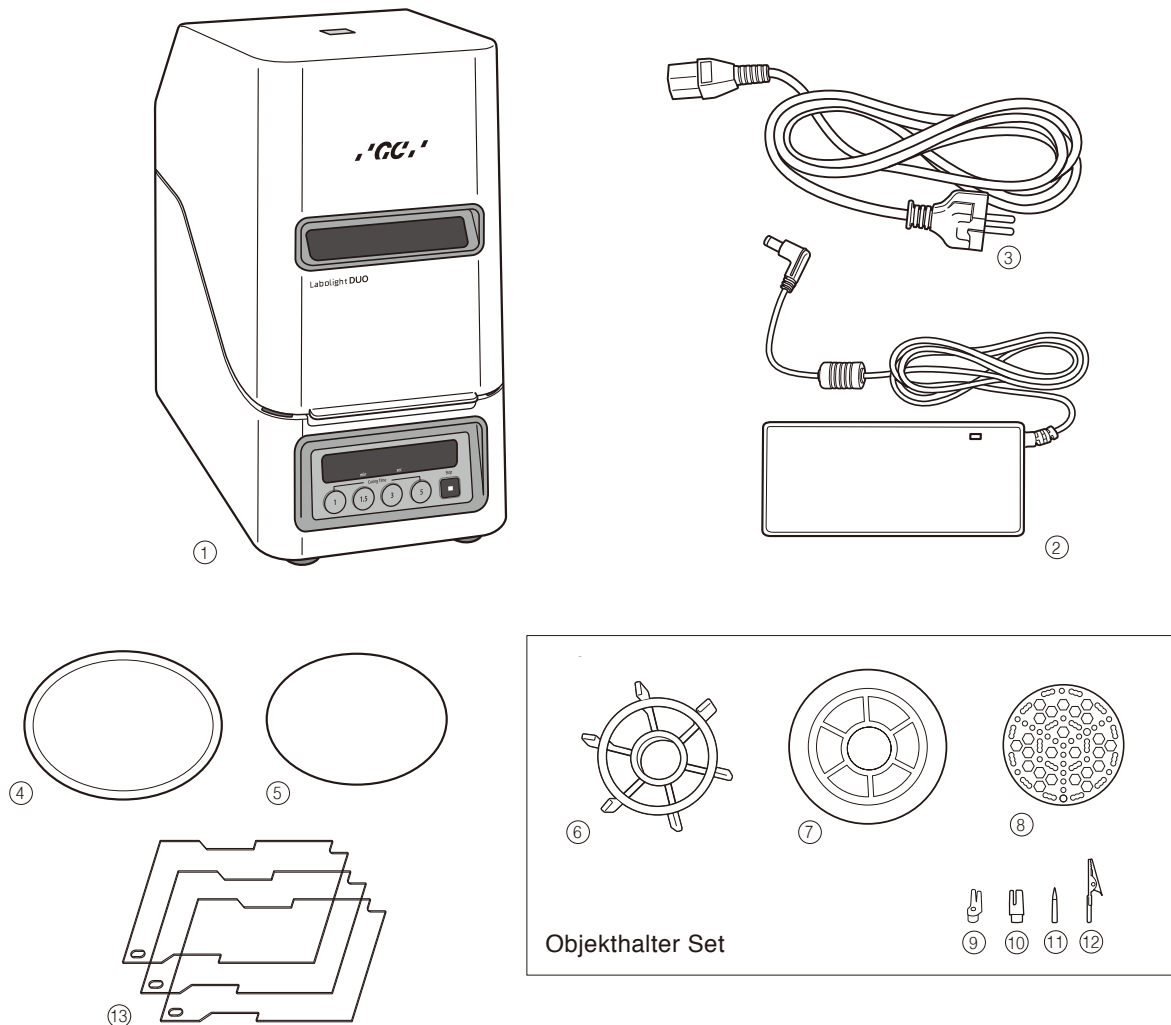
- Öffnen/schließen Sie die Tür langsam. Andernfalls kann es zu Schäden an der Tür oder dem Objekt in der Kammer kommen.
- Achten Sie beim Öffnen/Schließen der Tür darauf, Ihre Hand oder andere Körperteile oder Objekte nicht einzuklemmen. Es kann zu Verletzungen oder Sachschäden kommen.
- Berühren Sie die Drehplatte nicht. Sie könnten Ihre Finger einklemmen oder die Drehplatte beschädigen.
- Wenn etwas in der Drehplatte eingeklemmt wird, drücken Sie die Stoptaste oder den Netzschalter, um die Drehplatte anzuhalten, bevor Sie das Objekt entfernen.
- Entfernen Sie Verschmutzungen von der Lampenabdeckung oder ersetzen Sie verschmutzte Abdeckungen. Andernfalls wird die Verschmutzung erhitzt und führt zu Verformungen der Abdeckung oder lässt diese schmelzen.
- Legen Sie die auszuhärtenden Objekte mit der auszuhärtenden Seite in Richtung Lichtquelle in das Gerät.
- Stellen Sie eine für das jeweilige Material passende Polymerisationszeit ein.
- Überprüfen Sie nach dem Aushärten das Ergebnis des Vorgangs. Falls das Objekt noch nicht ausreichend ausgehärtet ist, legen Sie es erneut in das Gerät.
- Halten Sie Komposite, die Sie im Intervallmodus aushärten, nicht in der Hand. Andernfalls kann es durch das heiße Kompositmaterial zu Verbrennungen kommen.
- Nehmen Sie Komposite nicht unmittelbar nach dem Aushärten im Vollmodus mit der Hand aus dem Gerät. Andernfalls kann es durch das heiße Kompositmaterial zu Verbrennungen kommen.

< Wartung >

- Überprüfen Sie das Gerät und seine Komponenten regelmäßig.
- Reinigen Sie die Aushärtekammer regelmäßig. Verschmutzungen können das Ergebnis beeinträchtigen. Bei der Verwendung von brennbaren Desinfektionsmitteln (z. B. auf der Basis von Isopropylalkohol), besteht Brand-/Explosionsgefahr, wenn die Leuchtmittel eingeschaltet werden, solange sich noch entsprechende Dämpfe in der Kammer befinden.
- Tauschen Sie die Lampenabdeckung regelmäßig aus. Verschleißerscheinungen und Verschmutzungen können das Ergebnis beeinträchtigen.
- Wenn das Gerät ohne Lampenabdeckung verwendet wird, kann das Ergebnis aufgrund des unzureichenden Lampenschutzes beeinträchtigt werden. Verwenden Sie das Gerät nur mit Lampenabdeckung.

3. Produktbeschreibung

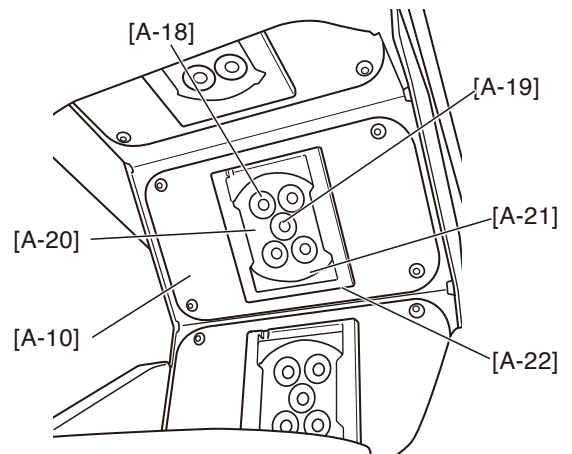
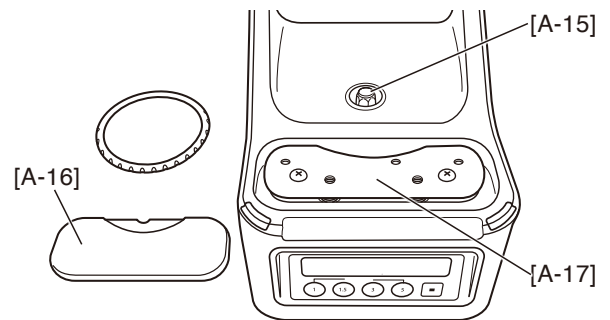
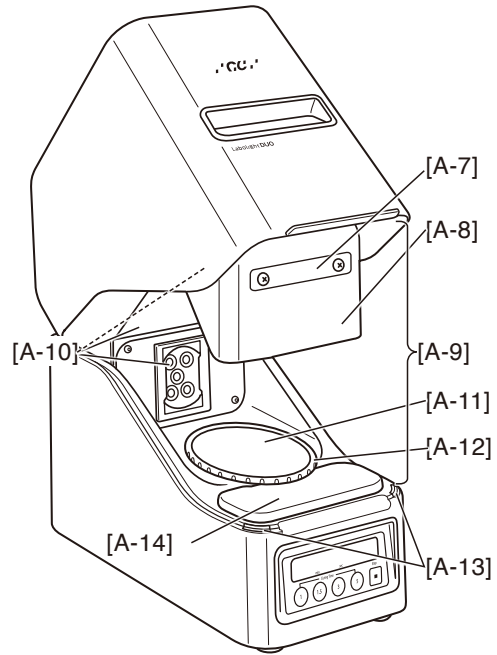
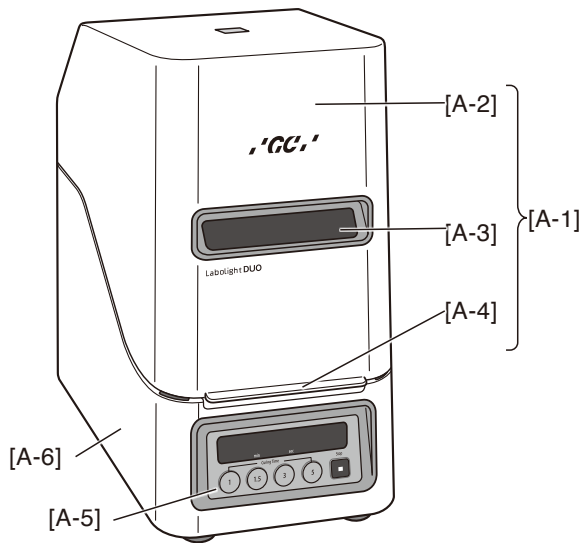
3.1 Packungsinhalt



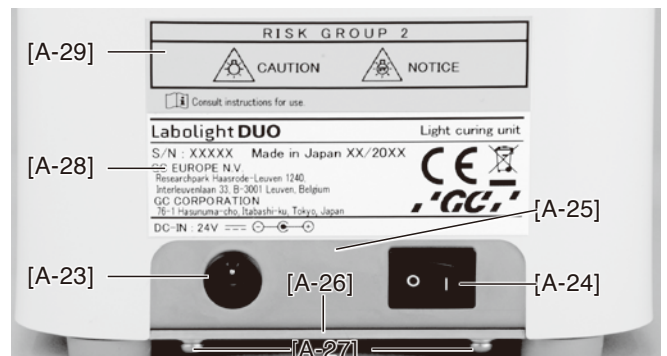
Nr.	Inhalt	Anzahl	
①	Labolight DUO Haupteinheit	1	
②	Netzteil	1	
③	Netzkabel	1	
④	Drehplatte	1	
⑤	Schale	1	
⑥	Objekt- halter-Set	Objekthalter	2
⑦		Objektplatte	1
⑧		Objektständer	1
⑨		Silikonstift anterior	4
⑩		Silikonstift posterior	3
⑪		Metallstift	4
⑫		Klemme	1
⑬	Lampenabdeckung (Ersatzteile/3er-Pack)	1	
	Gebrauchsanweisung	1	

3.2 Namen und Funktionen

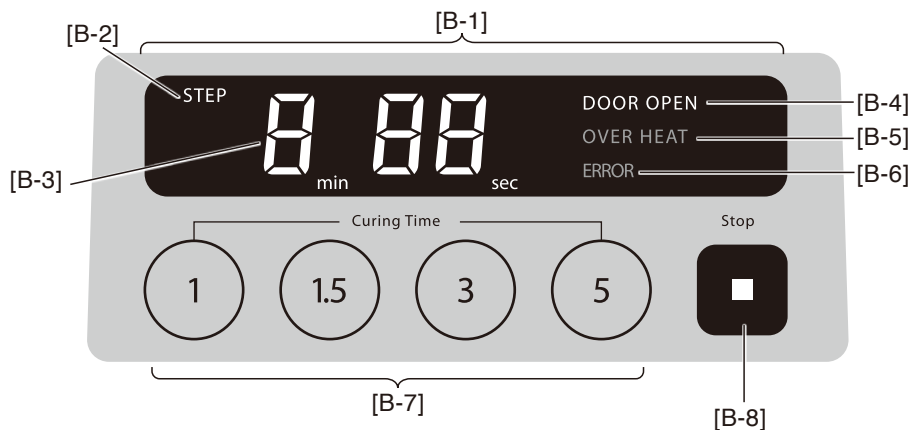
3.2.1 Haupteinheit







Nr.	Name
[A-1]	Tür
[A-2]	Oberes Gehäuse
[A-3]	Fenster
[A-4]	Griff
[A-5]	Bedienfeld
[A-6]	Unteres Gehäuse
[A-7]	Fixierplatte Sichtschutz
[A-8]	Sichtschutz
[A-9]	Aushärtkammer
[A-10]	LED-Lampe (Oben/Mitte/Unten)
[A-11]	Schale
[A-12]	Drehplatte
[A-13]	Türpolsterung
[A-14]	Intervallmodus-Taste
[A-15]	Achse der Drehplatte
[A-16]	Abdeckung Intervallmodus-Taste
[A-17]	Platte der Intervallmodus-Taste
[A-18]	Blaue LED (4 umlaufende Leuchten an jeder Einheit)
[A-19]	Violette LED (1 Leuchte mittig an jeder Einheit)
[A-20]	Lampe
[A-21]	Lampenabdeckung
[A-22]	Halter Lampenabdeckung
[A-23]	Netzanschluss
[A-24]	Netzschalter
[A-25]	Netzschalterhalterung (Rückseite)
[A-26]	Grundplatte
[A-27]	Gummifuß
[A-28]	Typenschild
[A-29]	Hinweisschild



3.2.2 Bedienfeld

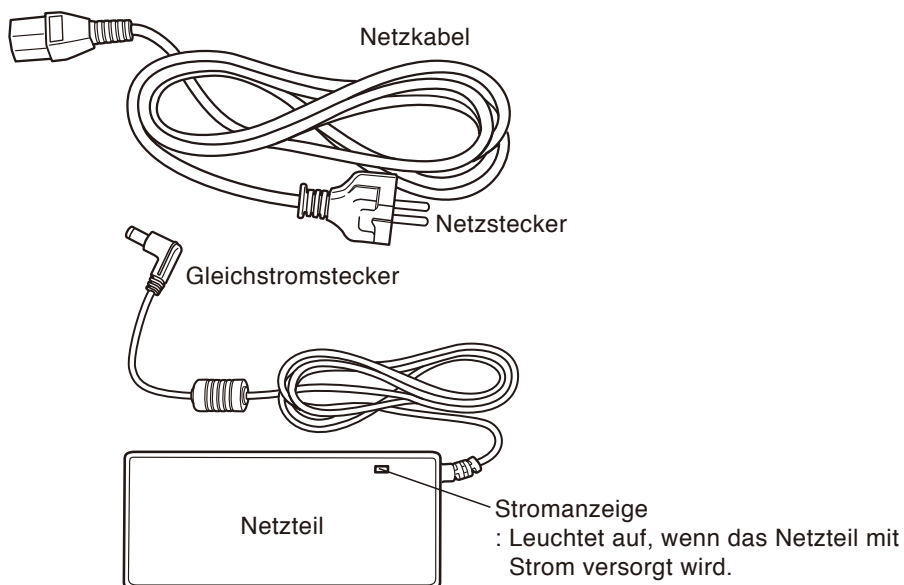


Nr.	Name	Information
[B-1]	Display	Zeigt den Status der unterschiedlichen Gerätefunktionen an.
[B-2]	Anzeige Intervallmodus	Leuchtet im Intervallmodus auf.
[B-3]	Zeitanzeige	<ul style="list-style-type: none"> – Zeigt die verbleibende Beleuchtungszeit im Intervall- oder Vollmodus an. – Bei blinkender Zeitanzeige wurde das Gerät vorübergehend angehalten.
		Standby-Status bei geöffneter Tür (= Standby-Status im Intervallmodus) 
		Standby-Status bei geschlossener Tür (= Standby-Status im Vollmodus) 
		Wenn der Vollmodus korrekt beendet wurde, wird „Fin“ angezeigt. 
		Wenn ein Fehler auftritt, wird eine Fehlernummer angezeigt. 
[B-4]	Anzeige für offene Tür	Aus: Die Tür ist geschlossen. An: Die Tür ist geöffnet.
[B-5]	Überhitzungsanzeige	Blinken: Temperaturalarm <ul style="list-style-type: none"> – Warnt vor zu hoher LED-Temperatur aufgrund von Dauerbetrieb. – Es muss eine Pause eingelegt werden, da die LEDs fast überhitzt sind. An: Überhitzt <ul style="list-style-type: none"> – Leuchtet auf, wenn die Beleuchtung vorübergehend angehalten wird, weil die LED-Temperatur zu hoch ist.
[B-6]	Fehleranzeige	Leuchtet auf, wenn ein Fehler aufgetreten ist. (Näheres zu Fehlern finden Sie in Kapitel 7, „Fehlerbehebung“.)
[B-7]	Taste für Aushärtezeit (1/1,5/3/5)	Mit dieser Taste starten Sie den Vollmodus. Die Beleuchtungszeit beträgt entsprechend 1 Minute, 1,5 Minuten, 3 Minuten und 5 Minuten. Durch wiederholtes Drücken dieser Tasten lässt sich die kontinuierliche Beleuchtungszeit auf bis zu 10 Minuten verlängern.
[B-8]	Stopptaste	Drücken Sie diese Taste, wenn Sie die Beleuchtung im Intervall- oder Vollmodus anhalten möchten oder wenn Sie eine vorübergehende Unterbrechung zurücksetzen möchten.

Andere Bedienelemente

[A-13]	Einzelstschrittmodus-Taste	Mit dieser Taste starten Sie eine 10-Sekunden-Beleuchtung im Intervallmodus. Durch wiederholtes Drücken dieser Taste lässt sich die kontinuierliche Beleuchtungszeit auf bis zu 30 Sekunden verlängern.
--------	----------------------------	--


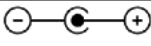
3.2.3 Netzteil und Netzkabel



3.2.4 Typenschild/Hinweisschild

< Typenschild der Haupteinheit >

Labolight DUO	Light curing unit
S/N : XXXXX Made in Japan XX/20XX	
GC EUROPE N.V. Researchpark Haasrode-Leuven 1240, Interleuvenlaan 33, B-3001 Leuven, Belgium	
GC CORPORATION 76-1 Hasunuma-cho, Itabashi-ku, Tokyo, Japan	
DC-IN : 24V 	

Labolight DUO	Light curing unit
S/N : XXXXX Made in Japan XX/20XX	
GC AMERICA INC. 3737 West 127th Street, Alsip, Illinois 60803 U.S.A.	
GC CORPORATION 76-1 Hasunuma-cho, Itabashi-ku, Tokyo, Japan	
DC-IN : 24V 	

< Hinweisschild der Haupteinheit >

RISK GROUP 2	
 CAUTION	 NOTICE
 Consult instructions for use.	

4. Aufbau

4.1 Transport

Hinweis

- Achten Sie beim Transport darauf, das Gerät gut zu sichern, um es vor Stößen zu schützen.
- Verwenden Sie geeignetes Verpackungsmaterial.

Entsorgen Sie das Verpackungsmaterial gemäß den aktuellen Recyclingvorgaben.

4.2 Auspacken

Überprüfen Sie vor dem Aufbau und der Montage, ob alle Komponenten vollständig sind (siehe Kapitel 3.1, „Packungsinhalt“). Untersuchen Sie außerdem alle Komponenten auf Transportschäden. Falls Sie fehlende oder beschädigte Komponenten finden, wenden Sie sich an Ihren Händler oder an GC.

4.3 Aufstellung

- 1) Achten Sie beim Aufbau auf folgende Punkte:
- Stellen Sie das Gerät auf einer ebenen, feuerfesten Unterlage auf.
 - Informationen zu Umgebungstemperatur, -feuchtigkeit und -luftdruck finden Sie in Kapitel 9, „Technische Daten“.
 - Informationen zu Abmessungen und Gewicht des Geräts finden Sie in Kapitel 9, „Technische Daten“.

Aufstellort: Ca. 200 mm × 350 mm

VORSICHT

- Stellen Sie das Gerät nicht an Orten auf, an denen Chemikalien gelagert werden oder Gase entstehen können.
- Stellen Sie keine brennbaren Objekte in die Nähe der Haupteinheit. Es besteht Brandgefahr.
- Stellen Sie keine licht- oder wärmeempfindlichen Geräte in die Nähe des Geräts.

VORSICHT

- Achten Sie darauf, das Gerät zu stabilisieren, beispielsweise im Hinblick auf Neigung, Vibration oder Stöße.

Hinweis

- Tragen Sie die Haupteinheit, indem Sie sie bei geschlossener Tür mit beiden Händen unten umfassen.
- Verwenden Sie das Gerät nicht draußen.
- Stellen Sie die Haupteinheit auf einer ebenen Fläche auf.
- Stellen Sie das Gerät nicht in direktem Sonnenlicht auf und schützen Sie es vor Staub, Feuchtigkeit und salz- oder schwefelhaltiger Luft. Stellen Sie es nicht in die Nähe einer Heizung.
- Das Gerät darf nicht mit Spritzwasser in Berührung kommen.
- Stellen Sie das Gerät an einem gut belüfteten Ort auf.

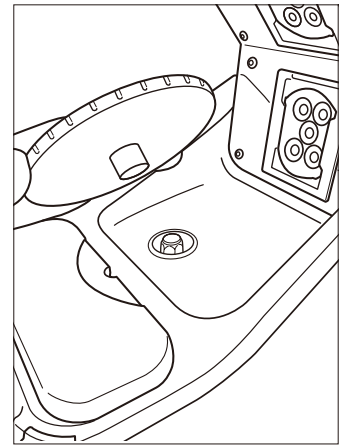
- 2) Stellen Sie sicher, dass ausreichend Platz für ein problemloses Öffnen der Tür vorhanden ist.

VORSICHT

- Achten Sie beim Öffnen/Schließen der Tür darauf, Ihre Hand oder andere Körperteile oder Objekte nicht einzuklemmen. Es kann zu Verletzungen oder Sachschäden kommen.

4.4 Montage

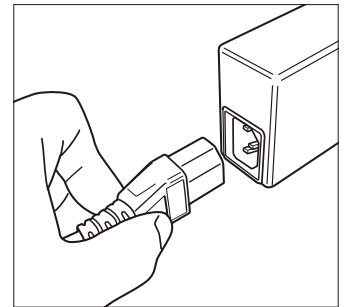
- 1) Drehen Sie die Tür am Griff langsam nach oben.
- 2) Richten Sie die Drehplatte an der Achse aus.
*Im Abstand von jeweils 60 Grad kann die Drehplatte sechsmal fest eingerastet werden. Wählen Sie eine dieser sechs Positionen.
- 3) Setzen Sie eine Schale in die Vertiefung der Drehplatte.



VORSICHT

- Achten Sie beim Öffnen/Schließen der Tür darauf, Ihre Hand oder andere Körperteile oder Objekte nicht einzuklemmen. Es kann zu Verletzungen oder Sachschäden kommen.

- 4) Stecken Sie das Netzkabel in das Netzteil.
- 5) Stecken Sie den Gleichstromstecker des Netzteils in den Netzanschluss auf der Rückseite der Haupteinheit.
- 6) Stecken Sie das Netzkabel in den 3-poligen Anschluss (100-240 AC).
*Siehe Kapitel 10, „Technische Daten“.
- 7) Überprüfen Sie, ob die Stromanzeige am Netzteil aufleuchtet.
→ Ist dies nicht der Fall, überprüfen Sie die Anschlüsse.



VORSICHT

- Achten Sie beim Anschluss des Netzkabels auf korrekte Erdung.

VORSICHT

- Achten Sie auf Frequenz, Spannung und zulässige Stromaufnahme (oder Energieverbrauch) der Stromquelle.
- Verwenden Sie das mitgelieferte Netzkabel sowie das Netzteil.

Hinweis

- Verwenden Sie nur Originalersatzteile und -zubehörteile. Andernfalls können der Gewährleistungsschutz und jegliche Haftung durch GC verfallen.

4.5 Starten und Überprüfen

1) Schalten Sie den Netzschalter bei geschlossener Tür auf EIN und überprüfen Sie folgende Punkte:

Die Zeit wird angezeigt. (Siehe Kapitel 3.2.2)
--

2) Drücken Sie die Intervallmodus-Taste bei geöffneter Tür einmal, um folgende Punkte zu überprüfen:

Die Intervallmodus-Taste kann gedrückt werden. Wird die Taste losgelassen, kehrt sie in die Ursprungsposition zurück.
Es leuchten nur die LEDs in der oberen Reihe auf. *Blicken Sie nicht direkt in die LEDs.
Auf dem Display leuchtet die Intervallmodus-Anzeige auf. Die angezeigte Zeit wird in 10-Sekunden-Schritten herunter gezählt.
Menschen oder Objekte in der näheren Umgebung werden nicht von starker Lichtstrahlung oder Reflektionen betroffen.



*Wenn am Gerät ein Fehler auftritt, drücken Sie die Stopptaste, um die Beleuchtung zu unterbrechen.



VORSICHT

■ Blicken Sie trotz der niedrigen Strahlung im Intervallmodus nicht in das Gerät, um die Lichtstrahlung zu überwachen. Legen Sie keine lichtreflektierenden Objekte in das Gerät. Es kann zu Schäden am Auge kommen.

3) Drücken Sie die Taste für die Aushärtzeit bei geöffneter Tür (1 Minute), um folgende Punkte zu überprüfen:

*Schließen Sie die Überprüfung innerhalb von 20 Sekunden ab, da das Gerät angehalten wird, wenn die Tür länger als 20 Sekunden geöffnet ist.

Mindestens eine der vier blauen LEDs in der oberen, mittleren und unteren Reihe leuchtet schwach auf. *Die violette LED leuchtet nicht auf. *Es reicht, wenn mindestens eine der vier LEDs aufleuchtet, auch wenn es in sehr seltenen Fällen vorkommen kann, dass die LED aufgrund eines sehr schwachen Stromflusses gar nicht aufleuchtet.
Die Drehplatte beginnt, sich zu drehen.
Die Beleuchtung stoppt nach 20 Sekunden.



*Wenn am Gerät ein Fehler auftritt, drücken Sie die Stopptaste, um die Beleuchtung zu unterbrechen.

4) Drücken Sie die Taste für die Aushärtezeit bei geschlossener Tür (1 Minute), um folgende Punkte zu überprüfen:

Wenn Sie durch das Fenster blicken, leuchten die LEDs in der mittleren und unteren Reihe auf.
Wenn Sie durch das Fenster blicken, dreht sich die Drehplatte. (Wenn eine Einschätzung schwierig ist, verwenden Sie den mitgelieferten Objekthalter.)
Die angezeigte Zeit wird herunter gezählt.
Die Beleuchtung wird nach einer Minute beendet.



*Wenn am Gerät ein Fehler auftritt, drücken Sie die Stopptaste, um die Beleuchtung zu unterbrechen.



VORSICHT

- Blicken Sie im Vollmodus nicht für längere Zeit kontinuierlich durch das Fenster in die Kammer. Andernfalls kann es zu Unwohlsein kommen.



VORSICHT

- Bei einer Fehlfunktion des Geräts oder wenn es beschädigt ist, darf das Gerät nicht mehr verwendet werden. Schalten Sie den Netzschalter aus und ziehen Sie das Kabel aus der Steckdose.



Hinweis

- Wenn Sie das Gerät nach längerer Betriebsunterbrechung wieder verwenden, stellen Sie sicher, dass es normal und sicher arbeitet.

4.6 Ausschalten und Aufbewahrung

1) Schließen Sie die Tür und schalten Sie das Gerät mit dem Netzschalter aus.



Hinweis

- Wenn das Gerät für längere Zeit nicht verwendet wird, sollte das Netzkabel gezogen werden, um Strom zu sparen.



VORSICHT

- Ziehen/Verbinden Sie das Kabel nur mit trockenen Händen. Es besteht Stromstoßgefahr.
- Ziehen Sie nicht am Kabel, sondern am Stecker.

2) Reinigen Sie das Gerät, um es für die Wiederinbetriebnahme vorzubereiten (siehe Kapitel 6, "Wartung").



VORSICHT

- Reinigen Sie die Polymerisationskammer regelmäßig. Verschmutzungen können das Ergebnis beeinträchtigen.

3) Achten Sie beim Aufbewahren des Geräts auf folgende Punkte:

- Informationen zu Umgebungstemperatur, -feuchtigkeit und -luftdruck bei der Aufbewahrung finden Sie in Kapitel 9, „Technische Daten“.



VORSICHT

- Achten Sie darauf, das Gerät zu stabilisieren, beispielsweise im Hinblick auf Neigung, Vibration oder Stöße.



Hinweis

- Stellen Sie das Gerät nicht in direktem Sonnenlicht auf und schützen Sie es vor Staub, Feuchtigkeit und salz- oder schwefelhaltiger Luft. Stellen Sie es nicht in die Nähe einer Heizung.
- Das Gerät darf nicht mit Spritzwasser in Berührung kommen.

5. Verwendungsmethode

5.1 Grundlegende Verwendungsmethode

Hinweis

- Stellen Sie vor der Verwendung sicher, dass das Gerät ordnungsgemäß funktioniert.
- Achten Sie bei der Verwendung auf folgende Punkte:
 - Achten Sie stets auf mögliche Fehlfunktionen.
 - Reagieren Sie bei Fehlfunktionen entsprechend, beispielsweise indem Sie das Gerät ausschalten.

WARNUNG

- Lichtempfindliche Personen (Lichtallergiker) dürfen dieses Gerät nicht bedienen. Außerdem muss darauf geachtet werden, dass lichtempfindliche Personen (Lichtallergiker) sich nicht im Bereich der Lichteinstrahlung aufhalten.
- Personen mit Herzschrittmacher dürfen dieses Gerät nicht bedienen.
Es kann zu Fehlfunktionen des Herzschrittmachers kommen.

WARNUNG

- Bei der Reparatur von Prothesen, die aus der Mundhöhle des Patienten genommen wurden, müssen diese desinfiziert werden, bevor sie in das Gerät gelegt werden. Andernfalls kann es zu Infektionen kommen.

- 1) Schalten Sie den Netzstecker ein und überprüfen Sie die Anzeigen auf dem Display. (Siehe Kapitel 3.2.2)
- 2) Führen Sie eine Kompositaushärtung im Intervallmodus (siehe Abschnitt 5.2) oder im Vollmodus (siehe Abschnitt 5.3) durch.

VORSICHT

- Blicken Sie nicht direkt in das Licht. Es kann zu Schäden am Auge kommen.
- Bringen Sie Objekte nur im maximal empfohlenen Abstand in die Nähe der Lichtquelle. Andernfalls kann es zu Hitzeschäden am Objekt kommen.
- Halten Sie Ihre Hände von der Lichtquelle fern. Verbrennungsgefahr.

VORSICHT

- Tragen Sie geeignete Schutzausrüstung, beispielsweise eine Schutzbrille, die alle Wellenlängen unterhalb 500 nm blockiert, wenn Sie längere Zeit durchgehend mit dem Gerät arbeiten, wenn Sie lichtempfindlich sind, wenn Sie unter einem Augenstar oder Netzhautschäden leiden usw.

VORSICHT

- Bedienen Sie die Tasten mit den Fingern und nicht mit einem spitzen Gegenstand.

VORSICHT

- Achten Sie beim Öffnen/Schließen der Tür darauf, Ihre Hand oder andere Körperteile oder Objekte nicht einzuklemmen. Es kann zu Verletzungen oder Sachschäden kommen.

VORSICHT

- Legen Sie die auszuhärtenden Objekte mit der auszuhärtenden Seite in die Richtung der Lichtquelle in das Gerät.
- Stellen Sie eine für das jeweilige Material passende Aushärtzeit ein.
- Überprüfen Sie nach dem Aushärten das Ergebnis des Vorgangs. Falls das Objekt noch nicht ausreichend ausgehärtet ist, legen Sie es erneut in das Gerät.
- Entfernen Sie Verschmutzungen von der Lampenabdeckung oder ersetzen Sie verschmutzte Abdeckungen. Andernfalls wird die Verschmutzung erhitzt und führt zu Verformungen der Abdeckung oder lässt diese schmelzen.

3) Schließen Sie nach der Verwendung die Tür und schalten Sie das Gerät mit dem Netzschalter aus. (Siehe Abschnitt 4.6)

 **VORSICHT**

■ LED-Einheit und Umgebung nicht berühren, wenn das Gerät längere Zeit im Einsatz war. Verbrennungsgefahr.

 **Hinweis**

● Wenn das Gerät für längere Zeit nicht verwendet wird, sollte das Netzkabel gezogen werden, um Strom zu sparen.

5.2 Intervallmodus

 **Hinweis**

● Verwenden Sie den Intervallmodus nur für die Zwischenhärtung.

1) Öffnen Sie die Tür und stellen Sie sicher, dass die Anzeige für eine offene Tür aufleuchtet. (Standby-Status im Intervallmodus)



2) Legen Sie das auszuhärtende Objekt in der empfohlenen Position (siehe unten) in das Gerät und drücken Sie die Intervallmodustaste.

- Die Beleuchtung beginnt sofort mit den oberen LEDs, während die verbleibende Zeit angezeigt wird.
- Wenn Sie die Intervallmodustaste während der Beleuchtung erneut drücken, verlängert sich die Aushärtzeit um weitere zehn Sekunden.
- Sie kann um maximal 30 Sekunden verlängert werden.

 **VORSICHT**

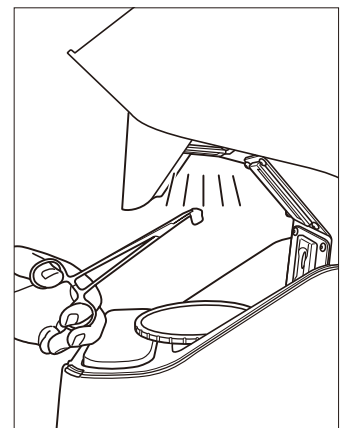
- Blicken Sie nicht in das Gerät, um die Lichtstrahlung im Intervallmodus zu überwachen. Es kann zu Schäden am Auge kommen.
- Blicken Sie nicht kontinuierlich in Reflektionslicht. Machen Sie Pausen, wenn Sie für längere Zeit im Intervallmodus arbeiten. Andernfalls kann es zu Unwohlsein kommen.
- Halten Sie Ihre Hände von der Lichtquelle fern. Verbrennungsgefahr.

 **VORSICHT**

■ Achten Sie beim Bestrahlen einer Prothese im Intervallmodus darauf, dass Ihre Hände möglichst nicht zwischen die Lichtquelle und die Drehplatte kommen. Verwenden Sie beispielsweise eine Zange. Bei längerer Nutzung kann es andernfalls zu Hautverfärbungen kommen.

 **VORSICHT**

■ Halten Sie Komposite, die Sie im Intervallmodus aushärten, nicht in der Hand. Andernfalls kann es durch das heiße Kompositmaterial zu Verbrennungen kommen.



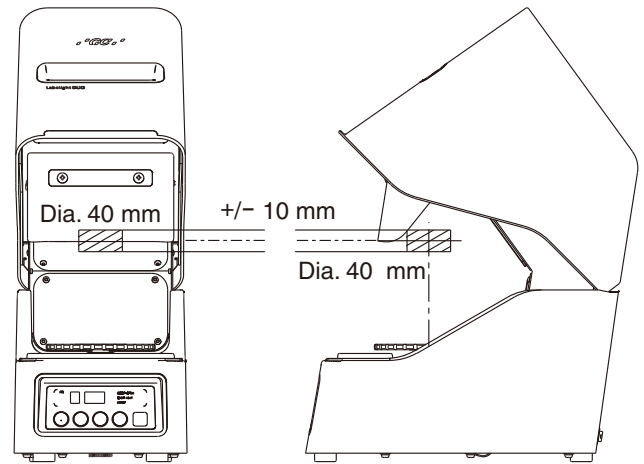
3) Nehmen Sie das auszuhärtende Objekt nach Abschluss der Beleuchtung aus dem Gerät.

* Wird das Gerät über einen längeren Zeitraum verwendet, kann es vorkommen, dass die Überhitzungsanzeige blinkt, weil die LEDs zu heiß geworden sind (Temperaturwarnung). Bei einer solchen Temperaturwarnung sollten Sie eine Pause einlegen, die in etwa so lange dauert wie die vorangegangene Aushärtzeit.

* Ein weiterer Temperaturanstieg führt zu einer Zwangsabschaltung, damit die LEDs abkühlen können. In dieser Zeit ist keine Beleuchtung möglich.

< Empfohlene Aushärtposition im Intervallmodus >
Halten Sie das Kompositmaterial in den Bereich, der in der Abbildung gestrichelt dargestellt ist.

(Gestrichelter Bereich: In einem Umkreis von 40 mm Durchmesser direkt über der Drehplatte und ± 10 mm neben dem Sichtschutz)



5.3 Vollmodus

1) Öffnen Sie die Tür und legen Sie das auszuhärtende Objekt auf die Drehplatte (siehe Abschnitt 5.4).

i Hinweis

- Nutzen Sie die Drehplatte, um das gesamte Komposit zu beleuchten.
- Werden mehrere Objekte gleichzeitig ausgehärtet, legen Sie sie so in das Gerät, dass sie keine Schatten aufeinander werfen.

2) Schließen Sie die Tür und stellen Sie sicher, dass die Anzeige für eine offene Tür nicht mehr aufleuchtet. (Standby-Status im Vollmodus)



3) Drücken Sie auf die Taste für die gewünschte Aushärtzeit, um die für das Objekt empfohlene Zeit einzustellen.
- Die Beleuchtung beginnt sofort, während die verbleibende Zeit angezeigt wird.
- Wenn Sie bei laufender Beleuchtung erneut eine Taste für die Aushärtezeit drücken, wird die Aushärtezeit um die entsprechende Zeit verlängert. Sie kann um maximal 10 Minuten verlängert werden.

i Hinweis

- Überwachen Sie die Drehung der Drehplatte im Vollmodus durch das Fenster.

VORSICHT

- Blicken Sie im Vollmodus nicht für längere Zeit kontinuierlich durch das Fenster in die Kammer. Andernfalls kann es zu Unwohlsein kommen.
- Bringen Sie Objekte nur im maximal empfohlenen Abstand in die Nähe der Lichtquelle. Andernfalls kann es zu Hitzeschäden am Objekt kommen.

VORSICHT

- Wenn etwas in der Drehplatte eingeklemmt wird, drücken Sie die Stoptaste oder den Netzschalter, um die Drehplatte anzuhalten, bevor Sie das Objekt entfernen.

* Um den Aushärteprozess zu unterbrechen, drücken Sie die Stoptaste. Das Gerät wechselt in den Standby-Status.

* Der Aushärteprozess wird auch vorübergehend unterbrochen, wenn die Tür während des Aushärtens geöffnet wird oder wenn die Timer-Taste bei geöffneter Tür gedrückt wird. In diesem Fall leuchten nur die blauen LEDs schwach auf und die Drehplatte dreht sich weiterhin.

- Nach 15 Sekunden ertönt ein Alarmsignal und nach 20 Sekunden wird ein Fehler gemeldet und das Gerät stoppt.
- Wenn Sie die Tür innerhalb von 20 Sekunden wieder schließen, wird der Vollmodus-Beleuchtungsvorgang neu gestartet.

- * Wird das Gerät über einen längeren Zeitraum durchgehend verwendet, kann es vorkommen, dass die Überhitzungsanzeige blinkt, weil die LEDs zu heiß geworden sind. (Temperaturwarnung)
Bei einer Temperaturwarnung sollte eine Beleuchtung maximal 5 Minuten lang erfolgen. Dann müssen Sie eine Pause machen, die in etwa so lange wie die Beleuchtung dauern sollte. Die maximal einstellbare Zeit bei angezeigter Temperaturwarnung beträgt 5 Minuten.
 - * Ein weiterer Temperaturanstieg führt zu einem vorübergehenden Stopp des Vollmodus. Nach Ablauf der angegebenen LED-Pause und wenn die LEDs ausreichend abgekühlt sind, wird der Vorgang automatisch neu gestartet. Wenn Sie die die Stopptaste drücken oder die Tür geöffnet lassen, wird die verbleibende Zeit zurückgesetzt.
- 4) Wenn im Zeit-Display „0“ angezeigt wird, ist die Aushärtzeit abgelaufen. Außerdem ertönt ein akustisches Signal und im Display erscheint „Fin“. Jetzt können Sie die Tür öffnen und das Objekt herausnehmen.



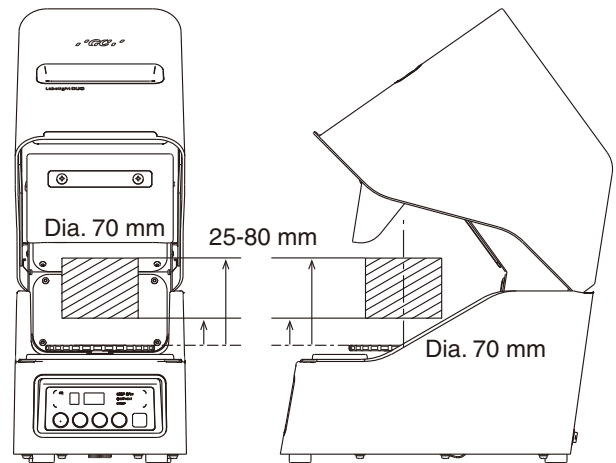
⚠ VORSICHT ⚠

■ Nehmen Sie Komposite nicht unmittelbar nach dem Aushärten im Vollmodus mit der Hand aus dem Gerät. Andernfalls kann es durch das heiße Kompositmaterial zu Verbrennungen kommen.

< Empfohlene Aushärtposition im Vollmodus >

Legen Sie das auszuhärtende Objekt in den Bereich, der in der Abbildung gestrichelt dargestellt ist.

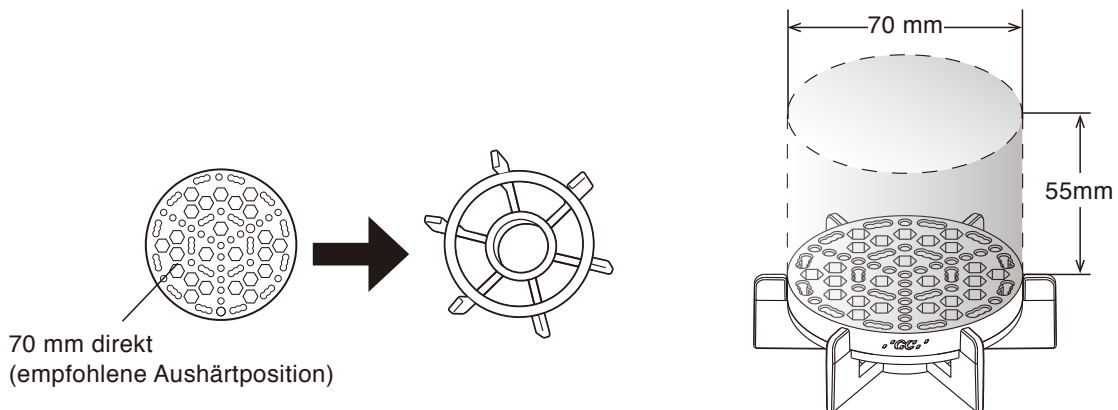
(Gestrichelter Bereich: In einem Umkreis von 70 mm direkt über der Drehplatte und einer Höhe von 25 bis 80 mm über der oberen Fläche der Drehplatte.)



DE

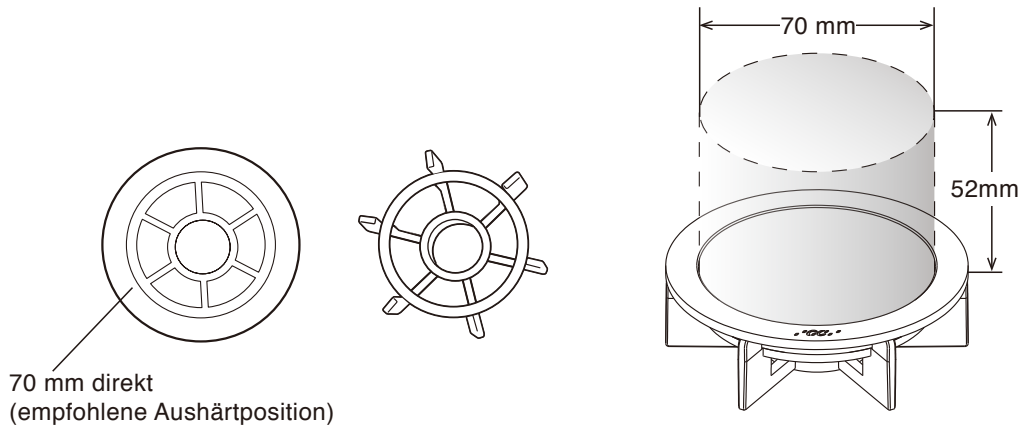
- 1) Einzelprothese (z. B. Krone oder Brücke)
/ Prothese auf Modellen mit Stift

Verwenden Sie gegebenenfalls den Objektständer und den Objekthalter.
(Weitere Informationen zum Objektständer finden Sie im Abschnitt 5.4)



2) Prothese oder künstlicher Zahn mit maximal 52 mm Höhe auf einem Modell

Verwenden Sie gegebenenfalls die Objektplatte und den Objekthalter.



3) Prothese oder künstlicher Zahn mit mindestens 52 mm Höhe auf einem Modell

Stellen Sie diese zusammen mit dem Modell auf die Drehplatte.

i Hinweis

- Wenn Sie das auszuhärtende Objekt außerhalb des empfohlenen Aushärtbereichs aufstellen, verwenden Sie eine längere Aushärtzeit, da das Objekt möglicherweise nicht ausreichend beleuchtet wird.
- Wenn eine Prothese oder ein Modell über den 100-mm-Außendurchmesser der Drehplatte hinausragt oder höher als 80 mm ist, beachten Sie, dass das Objekt oder Modell mit dem Sichtschutz oder der Aushärtekammer kollidieren kann, wodurch die Rotation der Drehplatte beeinträchtigt oder verhindert werden kann.

5.4 Verwenden des Objektständer-Sets

Für Einzelprothesen (beispielsweise Brücken oder Kronen) oder Prothesen, die an einem Modell mit Stift angebracht sind, sollte ein Objektständer und einer der verschiedenen Stifte verwendet werden. Beachten Sie hierzu die folgenden Verwendungsbeispiele.



Klemme
Fixiert eine Prothese und lässt sich in einer runden Öffnung oder in den drei zusammenhängenden runden Öffnungen am Objektständer befestigen.

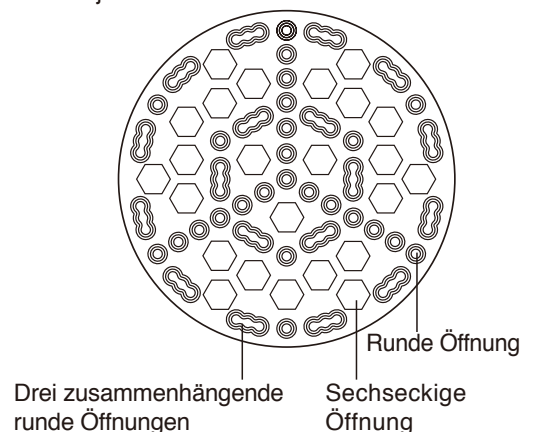


Metallstift
Fixiert eine Prothese und lässt sich in einer runden Öffnung oder in den drei zusammenhängenden runden Öffnungen am Objektständer befestigen.



Silikonstift
Fixiert eine Prothese und lässt sich in einer der sechseckigen Öffnungen am Objektständer befestigen. Schneiden Sie Überstände gegebenenfalls ab.

Objektständer



Prothesen auf Modellen mit Stift

Modelle mit einer Prothese werden mittels Stift auf dem Objektständer befestigt, wobei dieser Stift in eine der sechseckigen Öffnungen auf dem Ständer gedrückt wird.

6. Wartung

6.1 Kontrolle

Folgende Kontroll- und Wartungsintervalle werden empfohlen:

VORSICHT

- Überprüfen Sie das Gerät und seine Komponenten regelmäßig.

	Inhalt	Details
Tägliche Kontrolle	Funktionsfähigkeit der LEDs überprüfen Zustand der Drehplatte überprüfen	Wenn Sie die Timer-Taste bei geöffneter Tür drücken, können Sie die Funktionsfähigkeit der LEDs und der Drehplatte überprüfen. Bei Fehlfunktionen kommt es zu einer fehlerhaften Aushärtung. (Details hierzu finden Sie in Abschnitt 4.5, „Starten und überprüfen“.)
	Überprüfen der Lampenabdeckung auf Verschmutzung	Reinigen Sie die Abdeckung gegebenenfalls. (Siehe Abschnitt 6.2, „Reinigen und Austauschen von verschiedenen Bereichen“.)
Wöchentliche Kontrolle	Fester Sitz der Anschlüsse	Stellen Sie sicher, dass Netzteil und Netzkabel fest sitzen und dass sich kein Staub auf ihnen befindet.
	Taste für den Intervallmodus auf Verschmutzung überprüfen	Reinigen Sie die Taste für den Intervallmodus gegebenenfalls. (Siehe Abschnitt 6.2, „Reinigen und Austauschen von verschiedenen Bereichen“.)
	Aushärtkammer auf Verschmutzung überprüfen	Reinigen Sie die Aushärtkammer gegebenenfalls. (Siehe Abschnitt 6.2, „Reinigen und Austauschen von verschiedenen Bereichen“.)
Austauschen von Teilen	Austauschen der Lampenabdeckung (Empfohlene Austauschintervalle: 1 Jahr *abhängig von der Häufigkeit der Verwendung)	Starke Verfärbungen, Verschmutzungen oder Kratzer auf der Lampe können das Aushärtergebnis beeinträchtigen. Wenn beim Überprüfen der Lampenabdeckung Verfärbungen, Verschmutzungen oder Kratzer erkannt werden, die nicht entfernt werden können, muss die Lampenabdeckung ausgetauscht werden. *Die Lampenabdeckung kann sich möglicherweise altersbedingt verfärben. (Siehe Abschnitt 6.2, „Reinigen und Austauschen von verschiedenen Bereichen“.)

VORSICHT

- Reinigen Sie die Aushärtkammer regelmäßig. Verschmutzungen können das Ergebnis beeinträchtigen. Bei der Verwendung von brennbaren Desinfektionsmitteln (z. B. auf der Basis von Isopropylalkohol), besteht Brand-/Explosionsgefahr, wenn die Leuchtmittel eingeschaltet werden, solange sich noch entsprechende Dämpfe in der Kammer befinden.

Hinweis

- Falls eine LED-Einheit ausfällt, funktionieren andere LED-Einheiten weiterhin. Die gesamte Lichtleistung ist jedoch reduziert. Daher sollte die Aushärtzeit entsprechend verlängert und die Aushärtqualität überprüft werden. Lassen Sie die ausgefallene LED-Einheit umgehend reparieren.

6.2 Reinigen und Austauschen von Teilen

Ziehen Sie den Netzstecker, damit sich das Gerät während der Reinigung oder dem Auswechseln von Teilen nicht versehentlich einschaltet.

VORSICHT

■ Sollten nach längerer Nutzung Wartungsarbeiten erforderlich sein, muss das Gerät zunächst ausreichend abkühlen.



VORSICHT

■ Schalten Sie vor dem Reinigen und dem Austauschen von Teilen den Netzschalter aus und ziehen Sie das Netzkabel.

6.2.1 Reinigungsmethoden für verschiedene Bereiche

VORSICHT

■ Reinigen Sie die Aushärtkammer regelmäßig. Verschmutzungen können das Ergebnis beeinträchtigen.

Inhalt	Details
Lampenabdeckung	<p>Reinigen mit einem weichen, leicht mit Wasser oder Alkohol angefeuchteten Tuch. * Wenn Verfärbungen, Verschmutzungen oder Kratzer nicht behoben werden können, muss die Lampenabdeckung ausgetauscht werden. * Die Lampenabdeckung kann sich möglicherweise altersbedingt verfärben.</p> <div style="border: 1px solid black; padding: 5px; text-align: center;">  VORSICHT </div> <p>■ Entfernen Sie Verschmutzungen von der Lampenabdeckung oder ersetzen Sie verschmutzte Abdeckungen. Andernfalls wird die Verschmutzung erhitzt und führt zu Verformungen der Abdeckung oder lässt diese schmelzen. ■ Wenn das Gerät ohne Lampenabdeckung verwendet wird, kann das Ergebnis aufgrund des unzureichenden Lampenschutzes beeinträchtigt werden. Verwenden Sie das Gerät nur mit Lampenabdeckung.</p>
Drehplatte	<p>Reinigen mit einem weichen, leicht mit Wasser oder Alkohol angefeuchteten Tuch. * Ziehen Sie die Drehplatte nach oben, um sie herauszunehmen. * Um die Drehplatte wieder einzubauen, drehen Sie sie, um eine der sechs Positionen zu finden (im Abstand von 60 Grad), an denen die Drehplatte einrastet.</p>
Intervallmodus-Taste	<p>Reinigen mit einem weichen, leicht mit Wasser oder Alkohol angefeuchteten Tuch. Wenn sich Schmutz in einer Vertiefung abgesetzt hat, entfernen Sie die Abdeckung der Intervallmodus-Taste und reinigen Sie sie beispielsweise mit einem Baumwolltupfer. (Anweisungen zum Entfernen siehe Abschnitt 6.2.3)</p> 
Sichtschutz	Reinigung mit einem weichen, leicht mit Wasser oder Alkohol angefeuchteten Tuch.
Gehäuse, Aushärtkammer	Reinigung mit einem weichen, leicht mit Wasser oder Alkohol angefeuchteten Tuch.
Objekthalter	Reinigung mit einem weichen, leicht mit Wasser oder Alkohol angefeuchteten Tuch.
Schale Metallstift Klemme	<p>Reinigung mit einem weichen, leicht mit Wasser oder Alkohol angefeuchteten Tuch. * Desinfektion mit chemischen Desinfektionsmitteln ist möglich. * Autoklav-Sterilisierung ist möglich.</p>
Objektplatte Objektständer Silikonstift	<p>Reinigung mit einem weichen, leicht mit Wasser oder Alkohol angefeuchteten Tuch. * Desinfektion mit chemischen Desinfektionsmitteln ist möglich. * Autoklav-Sterilisierung ist möglich (häufige Sterilisierung führt jedoch zu Verschleißerscheinungen).</p>

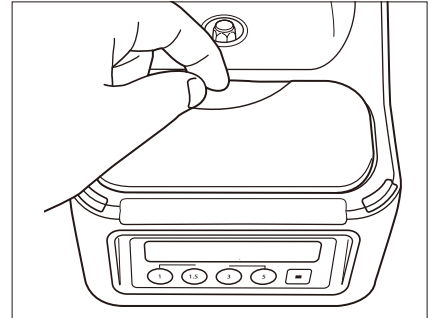
i Hinweis

- Verwenden Sie zum Reinigen des Geräts ein weiches, leicht mit Wasser oder Alkohol angefeuchtetes Tuch. Verwenden Sie keine organischen Reinigungsmittel (Verdünner, Benzin usw.).
- Organische Reiniger können zum Ausfärben des Geräts führen. Sollten solche Reiniger auf das Gerät gelangen, entfernen Sie sie umgehend.

6.2.2 Entfernen/Anbringen der Abdeckung der Intervallmodus-Taste

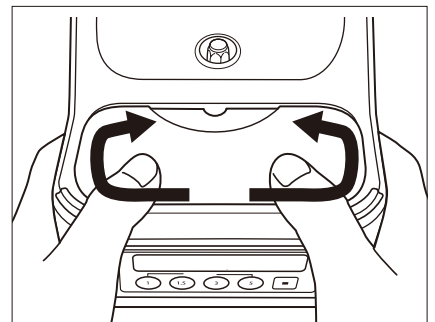
< Entfernen >

Nehmen Sie die Drehplatte heraus und entfernen Sie die Abdeckung, indem Sie mit den Fingern in die Aussparungen gehen.



< Anbringen >

Richten Sie die Ausbuchtung an der Abdeckung der Intervallmodus-Taste an der Öffnung in der Intervallmodus-Platte aus und drücken Sie die Ausbuchtung in die Öffnung.

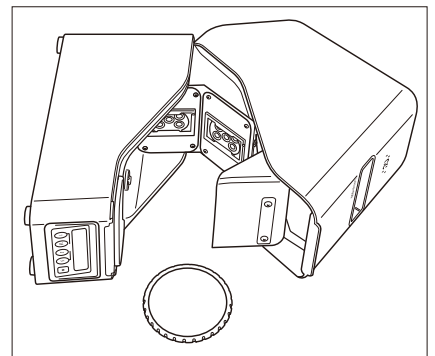


*Streichen Sie außen an der Abdeckung entlang, bevor Sie die Ausbuchtung in die Öffnung drücken.

6.2.3 Austauschen der Lampenabdeckung

< Vorbereitung >

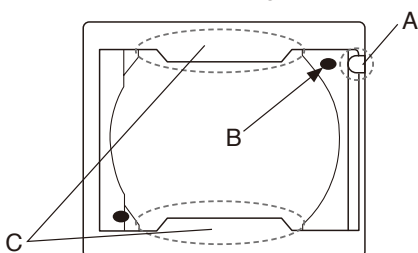
- 1) Schalten Sie das Gerät aus und ziehen Sie das Netzteil.
- 2) Nehmen Sie die Drehplatte heraus und legen Sie die Haupteinheit auf die Seite.



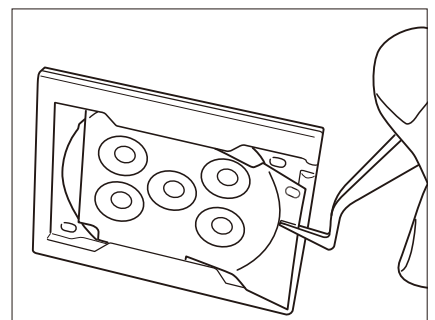
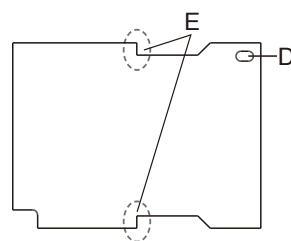
< Entfernen >

- 3) Führen Sie Ihren Fingernagel oder einen spitzen Gegenstand in die Auskerbung [A] zwischen dem Lampenhalter und der Lampenabdeckung ein und schieben Sie die Abdeckung in Richtung der Auskerbung [A].

Halter Lampenabdeckung

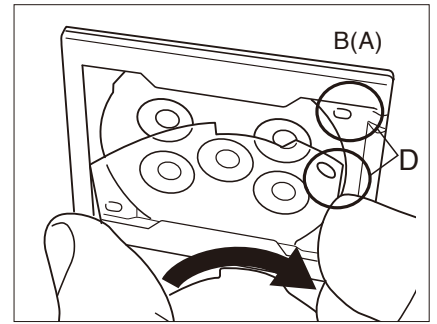


Lampenabdeckung

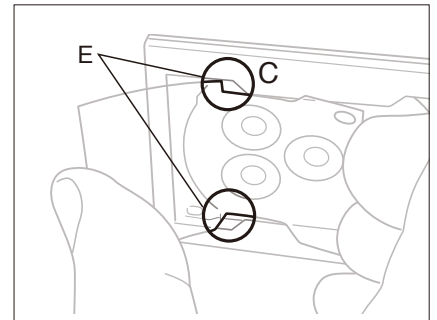


< Anbringen >

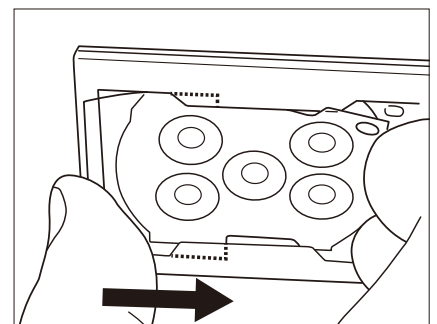
4) Vorder- und Rückseite der Lampenabdeckung unterscheiden sich. Daher müssen Sie auf eine korrekte Ausrichtung achten: Die Öffnung der Lampenabdeckung [D] muss in Richtung Ausbuchtung des Halters in der Nähe der Auskerbung [B(A)] weisen.



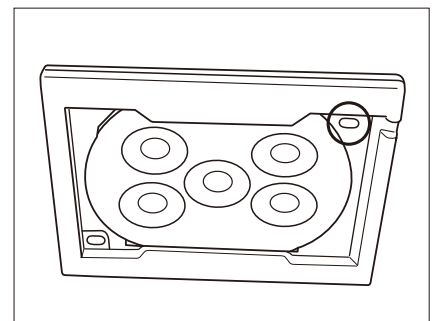
5) Biegen Sie die Abdeckung etwas nach außen und führen Sie die Ausbuchtung [rechter Winkel] der Lampenabdeckung [E] in die Seiten des Halter [C] ein.



6) Schieben Sie die Abdeckung, um sie anzubringen.



7) Stellen Sie sicher, dass die Ausbuchtungen des Halters [B] in der Öffnung der Lampenhalterung [D] einrasten.



7. Fehlerbehebung

Bevor Sie eine Reparatur veranlassen, überprüfen Sie folgende Punkte. Falls Ihnen diese nicht weiterhelfen, wenden Sie sich an Ihren Händler bzw. an unsere Niederlassung oder das Vertriebsbüro.

Symptome	Ursachen	Maßnahmen
Gerät schaltet sich beim Betätigen des Netzschalters nicht ein (keine Anzeige).	Kabel gezogen	Überprüfen Sie die Anschlüsse an der Haupteinheit, dem Netzteil sowie der Netzsteckdose.
	Netzkabel und Netzteil passen nicht	Verwenden Sie das mitgelieferte Netzkabel sowie das entsprechende Netzteil.
	Netzteil oder Netzkabel defekt	Netzteil und/oder Netzkabel müssen ausgetauscht werden. Wenden Sie sich an Ihren Händler bzw. an unsere Niederlassung oder das Vertriebsbüro.
	Durchgebrannte Sicherung	Die Sicherung im Gerät muss ausgetauscht werden. Wenden Sie sich an Ihren Händler bzw. an unsere Niederlassung oder das Vertriebsbüro.

Symptome		Ursachen	Maßnahmen
Im Intervallmodus leuchtet keine Lampe auf.	Die Überhitzungsanzeige leuchtet auf.	Vorübergehendes Ausschalten des Geräts wegen überhitzter LED(s)	Warten Sie mit dem Neustart, bis die LED(s) abgekühlt sind. Tritt dieser Fehler häufig auf, wenden Sie sich an Ihren Händler bzw. an unsere Niederlassung oder das Vertriebsbüro.
	Die Anzeige für eine offene Tür leuchtet nicht auf.	Der Sensor zum Erkennen von offenen/ geschlossenen Türen ist defekt.	Öffnen Sie die Tür weit und überprüfen Sie erneut.
	Trotz normaler Anzeige leuchtet die obere LED-Reihe nicht auf.	LED(s) defekt oder nicht angeschlossen	Die LED-Einheit muss ausgetauscht werden. Wenden Sie sich an Ihren Händler bzw. an unsere Niederlassung oder das Vertriebsbüro. Informationen zum Überprüfen der LEDs finden Sie in Kapitel 6.
Im Vollmodus leuchtet keine Lampe auf.	Die Überhitzungsanzeige leuchtet auf und die verbleibende Zeit blinkt auf dem Display.	Vorübergehendes Ausschalten des Geräts wegen überhitzter LED(s) (Beleuchtung wird vorübergehen unterbrochen.)	Warten Sie mit dem Neustart, bis die LED(s) abgekühlt sind. Tritt dieser Fehler häufig auf, wenden Sie sich an Ihren Händler bzw. an unsere Niederlassung oder das Vertriebsbüro.
	Die Überhitzungsanzeige leuchtet auf und auf dem Display wird „Fin“ angezeigt.	Vorübergehendes Ausschalten des Geräts wegen überhitzter LED(s) (Beleuchtung ist abgeschlossen.)	Warten Sie mit dem Neustart, bis die LED(s) abgekühlt sind. Tritt dieser Fehler häufig auf, wenden Sie sich an Ihren Händler bzw. an unsere Niederlassung oder das Vertriebsbüro.
	Trotz normaler Anzeige leuchten die LEDs nicht auf.	LED(s) defekt oder nicht angeschlossen	Die LED-Einheit muss ausgetauscht werden. Wenden Sie sich an Ihren Händler bzw. an unsere Niederlassung oder das Vertriebsbüro. Informationen zum Überprüfen der LEDs finden Sie in Kapitel 6.
Licht ist im Vollmodus sehr schwach oder die Aushärtleistung ist beeinträchtigt.	Die Türanzeige leuchtet beim Start des Vollmodus auf und die eingestellte Zeit wird nicht herunter gezählt.	Vorübergehende Unterbrechung wegen geöffneter Tür	Überprüfen Sie, ob sich etwas in der Tür verfangen hat. Schließen Sie die Tür vollständig.
	Die Anzeige ist normal und alle LEDs leuchten.	Verschmutzungen oder Kratzer auf den optischen Komponenten	Durch Verschmutzungen oder Kratzer auf den optischen Komponenten wird die Lichtleistung beeinträchtigt. Reinigen Sie die Aushärtkammer und die Lampenabdeckung oder tauschen Sie die Lampenabdeckung gegebenenfalls aus (siehe Kapitel 6).
	Trotz normaler Anzeige leuchten die LEDs nicht auf.	LED(s) defekt oder nicht angeschlossen	Die LED-Einheit muss ausgetauscht werden. Wenden Sie sich an Ihren Händler bzw. an unsere Niederlassung oder das Vertriebsbüro. Informationen zum Überprüfen der LEDs finden Sie in Kapitel 6.
Die Drehplatte dreht sich nicht.	Drehplatte blockiert	Nehmen Sie die Drehplatte heraus und überprüfen Sie, ob sich Fremdkörper auf der Rückseite oder auf der Achse befinden.	
Die Drehplatte dreht sich nicht.	Motor der Drehplatte ist ausgefallen	Der Motor muss ausgetauscht werden. Wenden Sie sich an Ihren Händler bzw. an unsere Niederlassung oder das Vertriebsbüro.	

Symptome		Ursachen	Maßnahmen
Es wird ein Fehler angezeigt und das Gerät funktioniert nicht mehr (Fehleranzeige leuchtet auf).	„E01“ wird angezeigt.	Defekter Temperatursensor	Die Einheit hat eine zu hohe/zu niedrige Temperatur festgestellt oder der Temperatursensor ist defekt. Halten Sie das Gerät sofort an und suchen Sie nach Fehlern. Das Gerät sollte bei einer Umgebungstemperatur von 10 bis 40°C verwendet werden. Bleibt der Fehler bestehen, nachdem das Gerät unter normalen Temperaturbedingungen wieder eingeschaltet wurde, wenden Sie sich an Ihren Händler bzw. an unsere Niederlassung oder unser Vertriebsbüro.
	„E02“ wird angezeigt.	LEDs in der oberen Reihe nicht angeschlossen oder möglicher Defekt des Temperatursensors	Nach Abschluss der Beleuchtung wird ein Fehler angezeigt, weil während der Beleuchtung im Vollmodus ein Temperaturfehler an den oberen LEDs erkannt wurde. Überprüfen Sie die LEDs in der oberen Reihe nach Auftreten dieses Fehlers (siehe Kapitel 6). Fehler können durch Aus- und Einschalten des Netzschalters zurückgesetzt werden.
	„E03“ wird angezeigt.	Die Intervallmodus-Taste bleibt gedrückt	Möglicherweise ist die Taste durch einen Fremdkörper blockiert. Reinigen Sie die Taste (siehe Kapitel 6). Durch Lösen der Taste wird der Fehler behoben.
	„E04“ wird angezeigt.	Violette LED in der oberen LED-Einheit funktioniert nicht oder ist nicht angeschlossen	Fehler können durch Aus- und Einschalten des Netzschalters zurückgesetzt werden. Wenn dieser Fehler immer auftritt, wenn der Vollmodus/Intervallmodus aktiviert wird, muss die LED ausgetauscht werden. Wenden Sie sich an Ihren Händler bzw. an unsere Niederlassung oder das Vertriebsbüro.
	„E05“ wird angezeigt.	Violette LED in der mittleren LED-Einheit funktioniert nicht oder ist nicht angeschlossen	Fehler können durch Aus- und Einschalten des Netzschalters zurückgesetzt werden. Wenn dieser Fehler immer auftritt, wenn der Vollmodus aktiviert wird, muss die LED ausgetauscht werden.
	„E06“ wird angezeigt.	Violette LED in der unteren LED-Einheit funktioniert nicht oder ist nicht angeschlossen	Wenden Sie sich an Ihren Händler bzw. an unsere Niederlassung oder das Vertriebsbüro.

*Symptome, die hier nicht aufgelistet wurden, weisen auf ein schwerwiegendes Problem hin. Wenden Sie sich in diesen Fällen an Ihren Händler bzw. an unsere Niederlassung oder das Vertriebsbüro.

Hinweis

- Falls eine LED-Einheit ausfällt, funktionieren andere LED-Einheiten weiterhin. Die gesamte Lichtleistung ist jedoch reduziert. Daher sollte die Aushärtzeit entsprechend verlängert und die Aushärtqualität überprüft werden. Lassen Sie die ausgefallene LED-Einheit umgehend reparieren.

WARNUNG

- Das Gerät darf nicht auseinander genommen oder modifiziert werden. Andernfalls kann es zu Hitzeentwicklung, Selbstentzündung oder Rissen kommen.

VORSICHT

- Bei einer Fehlfunktion des Geräts oder wenn es beschädigt ist, darf das Gerät nicht mehr verwendet werden. Schalten Sie den Netzschalter aus und ziehen Sie das Kabel aus der Steckdose.
- Versuchen Sie nicht, das defekte Gerät selbst zu reparieren. Wenden Sie sich an einen entsprechend ausgebildeten Techniker.

8. Gewährleistung und Reparatur

Wir legen größten Wert auf eine hochwertige Verarbeitung und Qualität unserer Produkte. Wenn während des Gewährleistungszeitraums dennoch Fehlfunktionen auftreten sollten, reparieren wir das Gerät kostenlos wie beschrieben im Rahmen der Gewährleistung. Wenden Sie sich nach Bedarf an Ihren Händler bzw. an unsere Niederlassung oder das Vertriebsbüro.

Als Hersteller sind wir nicht haftbar für Schäden, die durch die unsachgemäße Verwendung dieses Geräts oder die Nichteinhaltung der Gebrauchsanweisung entstehen.

Für dieses Gerät gilt der angegebene Gewährleistungszeitraum. Beachten Sie, dass Verbrauchsmaterialien (siehe Liste unten) nicht unter die Gewährleistung fallen.

Gewährleistungszeitraum: 1 Jahr

Hinweis

- Es ist ausdrücklich verboten, das Gerät zu öffnen, auseinander zu nehmen oder zu modifizieren oder für Zwecke einzusetzen, die durch diese Gebrauchsanweisung nicht abgedeckt sind (siehe unten).

< Liste der Verbrauchsmaterialien >

Beschreibung	Code
Objekthalter (1 Stck.)	009139
Objektplatte (1 Stck.)	009140
Objektständer (1 Stck.)	009141
Silikonstift vorne (1 Stck.)	009142
Silikonstift hinten (1 Stck.)	009143
Metallstift (1 Stck.)	009144
Klemme (1 Stck.)	009145
Lampenabdeckung (3 Stck.)	009146
Abdeckung Intervallmodus-Taste (1 Stck.)	009147
Drehplatte (1 Stck.)	009148
Schalte (1 Stck.)	009149
Objektständer-Set (Objekthalter x 2 Objektplatte x 1, Objektständer x 1, Silikonstift vorne x 4, Silikonstift hinten x 3, Metallstift x 4, Klemme x 1)	009138

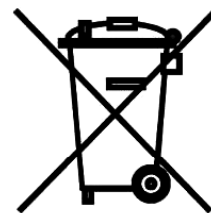
Hinweis

- Verwenden Sie nur Originalersatzteile und -zubehörteile. Wenn Sie Ersatzteile und Zubehörteile von Fremdanbietern verwenden, erlöschen Gewährleistung, Garantie und Herstellerhaftung.

9. Entsorgung

Dieses Symbol weist darauf hin, dass Sie Ihr Gerät umweltgerecht recyceln/entsorgen müssen. Es darf nicht dem normalen Hausmüll zugeführt werden.

Bitte beachten Sie, dass dieses Produkt der EU-Richtlinie 2012/19/EG (WEEE) und den jeweiligen nationalen Gesetzen für eine umweltgerechte Wiederverwertung/Entsorgung unterliegt. Fragen Sie bei GC Europe oder Ihrem GC Händler nach, wann und wo Ihr Produkt entsorgt werden muss.



10. Technische Daten

Name / Modell		Labolight DUO
Lichtquelle	Anzahl der Lichtquellen	Blaue LED: 12 (4 x 3) Violette LED: 3 (1 x 3)
	Spitzen-Wellenlänge	Blaue LED: 465 nm - 485 nm Violette LED: 390 nm - 400 nm
	Wellenlängenbereich	380 nm - 510 nm (Typisch)
Stromversorgung	Eingangsleistung Netzteil	100-240 V AC, 50-60 Hz, 1,2 A MAX
	Ausgangsleistung Netzteil	24 V DC, 3,75 A
	Eingangsleistung Hauptgerät	24 V DC (+/- 5 %), 60 V A
Abmessungen	Tür geschlossen	159 mm x 290 mm x 297 mm (Breite x Tiefe x Höhe)
	Geöffnete Tür	159 mm x 307 mm x 418 mm (Breite x Tiefe x Höhe)
Gewicht		Haupteinheit: 5,3 kg (ohne Aushärtständer-Set) Netzteil: 0,4 kg Netzkabel: 0,2 kg
Umgebungsbedingungen bei Einsatz		Nur für den Einsatz in Räumen
		Temperatur: 10 °C bis 40 °C
		Relative Luftfeuchtigkeit: 30 %-75 % RH
		Höhe bis 2000 m oder barometrischer Druck 700 hPa – 1060 hPa
		Installationskategorie (Überspannungskategorie) II Netzspannungsschwankungen +/- 10 %
Umgebungsbedingungen bei Transport und Lagerung		Verschmutzungsgrad 2
		Temperatur: -10 °C bis 50 °C
		Relative Luftfeuchtigkeit: 30 %-75 % RH
		Höhe bis 2000 m oder barometrischer Druck 700 hPa – 1060 hPa

* Änderungen der technischen Daten des Produkts aufgrund von Verbesserungen bleiben vorbehalten.

Labolight DUO

UNITÉ LUMINEUSE LED À MODE DUAL POUR LA PHOTOPOLYMÉRISATION DES RÉSINES COMPOSITES INDIRECTES

Veuillez lire attentivement le mode d'emploi avant toute utilisation.

Mode d'emploi

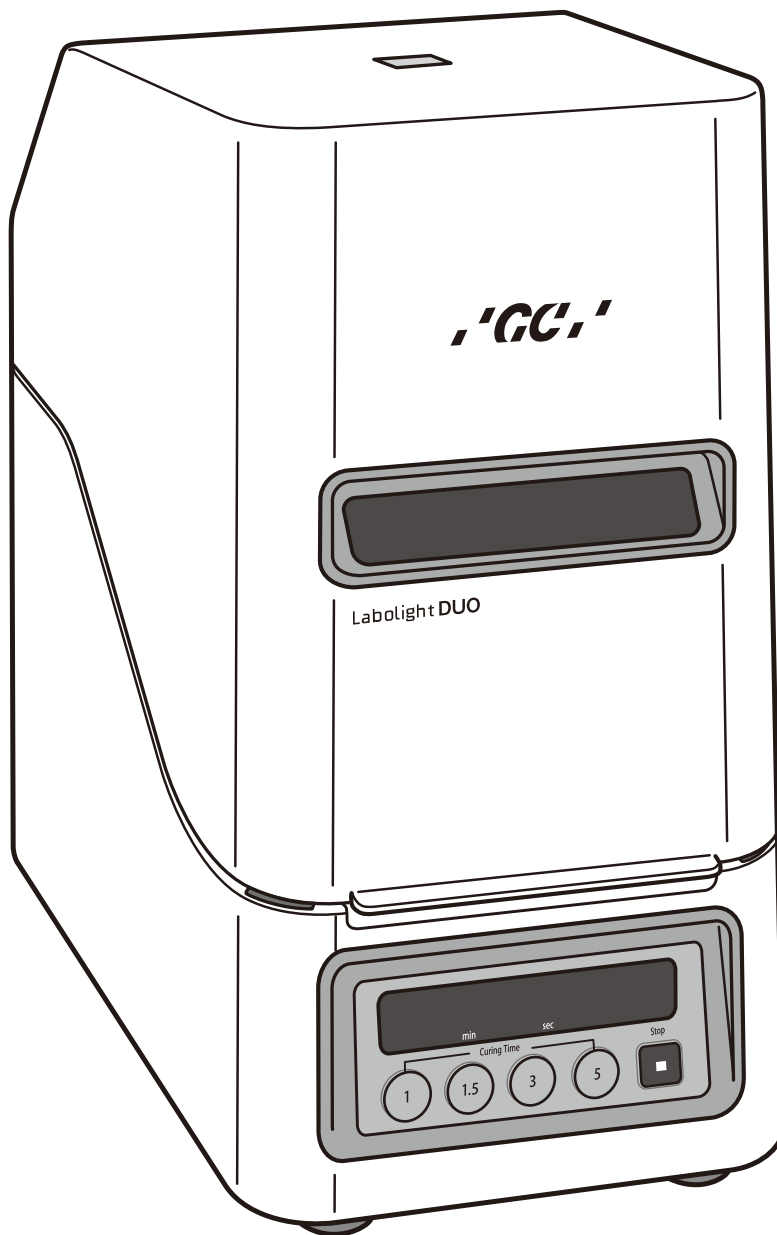


Table des matières

1. Introduction	FR 4
1.1 Utilisation prévue	FR 4
1.2 Caractéristiques	FR 4
1.3 Symboles	FR 4
2. Pour utiliser l'unité en toute sécurité	FR 6
3. Description du produit	FR 8
3.1 Contenu de l'emballage	FR 8
3.2 Noms et fonctions des pièces	FR 9
3.2.1 Boîtier principal	FR 9
3.2.2 Panneau de commande	FR 10
3.2.3 Adaptateur CA et câble d'alimentation	FR 11
3.2.4 Plaque signalétique/Étiquette de mise en garde	FR 11
4. Méthode d'installation	FR 12
4.1 Transport	FR 12
4.2 Déballage	FR 12
4.3 Installation	FR 12
4.4 Assemblage	FR 13
4.5 Démarrage et vérification	FR 14
4.6 Arrêt et stockage	FR 15
5. Méthode d'utilisation	FR 16
5.1 Méthode d'utilisation de base	FR 16
5.2 Mode par étape	FR 17
5.3 Mode pleine puissance	FR 18
5.4 Méthode d'utilisation du kit du support de polymérisation	FR 21
6. Entretien	FR 21
6.1 Vérification	FR 21
6.2 Nettoyage et remplacement des pièces	FR 22
6.2.1 Méthode de nettoyage des parties respectives	FR 22
6.2.2 Méthode de dépose/pose du couvre-interrupteur du mode par étape	FR 24
6.2.3 Méthode de remplacement de la protection de la lentille	FR 24
7. Dépannage	FR 26
8. Garantie et réparations	FR 28
9. Mise au rebut	FR 29
10. Spécifications	FR 29



DÉCLARATION CE DE CONFORMITÉ

Conformément à la Directive 2006/42/CE relative aux machines

19 juin 2015

GC EUROPE N.V.
Research Park
Interleuvenlaan 33
B-3001 Louvain
Belgique

Nous garantissons et déclarons sous notre responsabilité exclusive que le produit :

Nom/modèle : Labolight DUO

visé par la présente déclaration, satisfait aux dispositions des directives

2006/42/CE relatives aux machines
2014/30/UE concernant la compatibilité électromagnétique et 2014/35/UE concernant le matériel électrique employé dans certaines limites de tension

du Conseil ; est conforme aux normes ou autres documents normatifs suivants :

CEI 61326-1:2012	Matériel électrique de mesure, de commande et de laboratoire – Exigences relatives à la CEM – Partie 1 : Exigences générales
CEI 61010-1:2010	Règles de sécurité pour appareils électriques de mesure, de régulation et de laboratoire – Partie 1: Exigences générales
CEI 62471:2006	Sécurité photobiologique des lampes et des appareils utilisant des lampes.

et est fabriqué conformément à la documentation technique.

Louvain, 19/06/2015.....
Date

[Signature]
M. Aydin
Responsable Assurance qualité et
Affaires réglementaires
Pour le compte de GC Europe N.V.



GC Europe Head Office
Interleuvenlaan 33
B-3001 Leuven

1. Introduction

Nous vous remercions pour l'achat de notre Labolight DUO.

Remarque

– Il est recommandé de respecter les instructions comprises dans le présent mode d'emploi, visant à garantir une utilisation appropriée et sécurisée de l'unité. Rangez-le à un endroit aisément accessible.

AVERTISSEMENT

■ Veillez à respecter les instructions du mode d'emploi pour garantir la sécurité de l'utilisateur et une utilisation adéquate de l'unité. Toute utilisation non conforme aux instructions contenues dans le présent mode d'emploi peut compromettre la protection procurée par l'unité.

En tant que fabricant, nous déclinons toute responsabilité en cas d'incident tel qu'un endommagement résultant d'une utilisation non conforme aux instructions comprises dans le présent mode d'emploi.

1.1 Utilisation prévue

Cette unité est utilisée pour la photopolymérisation de composites dentaires.

AVERTISSEMENT

■ Seul un personnel qualifié en soins dentaires est autorisé à utiliser cette unité.

Remarque




● Utilisez le Labolight DUO uniquement pour des composites dentaires, cette unité ayant essentiellement été conçue pour les traiter.





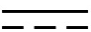

1.2 Caractéristiques

- 1) Le Labolight DUO est une unité de polymérisation réservée aux professionnels des soins dentaires dotée de LED en guise de source lumineuse.
- 2) Le Labolight DUO est doté de 12 LED bleues et 3 LED violettes permettant de polymériser n'importe quel produit composite de GC.
- 3) Le Labolight DUO est capable de procéder à une prépolymérisation la porte ouverte (mode par étape).

1.3 Symboles











Les symboles figurant sur cette unité ont la signification suivante :

Symboles	Emplacements	Signification
	Étiquette de mise en garde	Consulter le mode d'emploi
	Étiquette de mise en garde	ATTENTION : Rayonnement visible Ce produit peut émettre des rayonnements optiques dangereux. Ne regardez pas la lumière opératoire. Cela peut endommager vos yeux.
	Étiquette de mise en garde	ATTENTION : Rayonnement ultraviolet Ce produit émet un rayonnement ultraviolet. Limitez l'exposition des yeux ou de la peau. Utilisez une protection adéquate.

Symboles	Emplacements	Signification
	Unité LED	ATTENTION : La surface peut être chaude. ■ Ne touchez pas l'unité LED et ses alentours après une utilisation prolongée de l'unité. Vous risqueriez de vous brûler.
	Interrupteur principal	ON (mise sous tension)
	Interrupteur principal	OFF (mise hors tension)
	Adaptateur CA	Courant alternatif
	Plaque signalétique Adaptateur CA	Courant direct
	Plaque signalétique Adaptateur CA	Polarité du connecteur d'alimentation en courant continu

* Consultez le chapitre 3 pour prendre connaissance des noms des parties respectives.

Les symboles figurant dans ce mode d'emploi ont la signification suivante :

Symboles	Signification
	AVERTISSEMENT : - Compte tenu du risque de blessure physique grave ou de dégâts matériels, utilisez l'unité en respectant les indications stipulées dans la mise en garde. ATTENTION : - Compte tenu du risque de blessure physique légère ou de dégâts matériels, utilisez l'unité en respectant les indications stipulées dans la mise en garde.
	ATTENTION : Rayonnement visible Ce produit peut émettre des rayonnements optiques dangereux. Ne regardez pas la lumière opératoire. Cela peut endommager vos yeux.
	ATTENTION : Rayonnement ultraviolet Ce produit émet un rayonnement ultraviolet. Limitez l'exposition des yeux ou de la peau. Utilisez une protection adéquate.
	ATTENTION : La surface peut être chaude.
	ATTENTION : Risque d'électrocution.
	Interdiction
	Remarques : Informations et notes importantes concernant l'utilisation de cette unité
	Consultez ce mode d'emploi.
	Débranchez la fiche secteur de la prise électrique.
	Reliez une borne de terre à la terre.

2. Pour utiliser l'unité en toute sécurité

Respectez les mises en garde et les avertissements suivants pour utiliser l'unité en toute sécurité.

AVERTISSEMENT

- Seul un personnel qualifié en soins dentaires est autorisé à utiliser cette unité.
- Il est interdit aux membres du personnel souffrant de photosensibilité – notamment d'une allergie à la lumière – d'utiliser l'unité. Par ailleurs, il convient de veiller à ne pas orienter la lumière d'irradiation vers les personnes souffrant de photosensibilité, dont celles allergiques à la lumière.
- Les membres du personnel porteurs d'un stimulateur cardiaque ne doivent pas utiliser l'unité. Le stimulateur risquerait en effet de dysfonctionner.
- En cas de réparation d'une prothèse enlevée de la cavité buccale d'un patient, désinfectez la prothèse avant de la placer dans l'unité afin d'éviter toute infection. L'utilisation d'un produit inflammable (à base d'alcool isopropylique) peut déclencher un incendie/une explosion en cas d'activation de la lampe en présence de vapeurs dans la chambre.
- Ne jamais démonter ou modifier l'unité. Cela pourrait entraîner une production de chaleur, un incendie ou la rupture de l'unité.
- Veillez à respecter les instructions du mode d'emploi pour garantir la sécurité de l'utilisateur et une utilisation adéquate de l'unité. Toute utilisation non conforme aux instructions contenues dans le présent mode d'emploi peut compromettre la protection procurée par l'unité.

GRUPE DE RISQUE 2 (IEC 62471)

ATTENTION

Ce produit peut émettre des rayonnements optiques dangereux.
Ne regardez pas la lumière opératoire. Cela peut endommager vos yeux.

- Ne regardez pas directement le faisceau lumineux d'irradiation. Cela pourrait endommager vos yeux.
- Ne regardez pas à l'intérieur de l'unité pour surveiller la lumière d'irradiation en mode par étape. Cela pourrait endommager vos yeux.
- En mode par étape, évitez de fixer constamment la lumière réfléchie et marquez une pause lorsque vous travaillez longtemps sur l'unité. Dans le cas contraire, cela pourrait vous incommoder.
- En mode pleine puissance, ne regardez pas à l'intérieur de la chambre de polymérisation à travers la fenêtre pendant une longue période. Dans le cas contraire, cela pourrait vous incommoder.
- Portez un équipement de protection adéquat tel que des lunettes filtrant la lumière d'une longueur d'onde de 500 nm ou inférieure notamment en cas d'utilisation prolongée de l'unité, si vous êtes photosensible, voire si vous souffrez d'une cataracte ou si votre rétine est endommagée.
- N'orientez pas le faisceau lumineux sur un objet se trouvant plus près de la source lumineuse qu'il n'est recommandé. En effet, il pourrait chauffer.

ATTENTION

Ce produit émet un rayonnement ultraviolet.
Limitez l'exposition des yeux ou de la peau. Utilisez une protection adéquate.

- Ne placez pas vos mains près de la source de lumière d'irradiation. Vous risqueriez de vous brûler.
- En cas d'irradiation d'une prothèse en mode par étape, évitez autant que possible de placer vos mains entre la source lumineuse et le plateau tournant, notamment en utilisant une pince pour couronne. Une utilisation prolongée pourrait leur causer des rougeurs.

 **ATTENTION**

- Ne touchez pas l'unité LED et ses alentours après une utilisation prolongée de l'unité. Vous risqueriez de vous brûler.
- L'entretien de l'unité après une longue utilisation doit être effectué après avoir laissé cette dernière refroidir suffisamment.

 **ATTENTION****< Général >**

- Assurez-vous que l'unité est stable en faisant notamment attention à l'inclinaison, aux vibrations et aux impacts.
- Si l'unité est défectueuse ou endommagée, cessez immédiatement de l'utiliser, mettez-la hors tension et retirez le câble d'alimentation.
- N'essayez pas de réparer une unité défectueuse. Faites appel à un expert après lui avoir décrit correctement le problème.
- N'utilisez pas l'unité avec des mains humides. Cela risquerait d'entraîner une défaillance de l'appareil.
- Ne versez pas d'eau (ou d'autres liquides) sur l'unité.
- Ne manipulez pas de poudre métallique ou de liquides dans la chambre de polymérisation. Si un liquide ou une matière dangereuse est introduite accidentellement dans la chambre, arrêtez d'utiliser l'unité et faites-la réparer.

< Installation, assemblage et stockage >

- N'installez pas l'unité dans un lieu de stockage de produits chimiques ou dans lequel du gaz peut se dégager.
- Ne placez pas des objets inflammables près du boîtier principal. Cela pourrait provoquer un incendie.
- Ne placez aucun équipement sensible à la lumière ou à la chaleur près de l'unité.
- Veillez à utiliser une source d'alimentation adéquate en termes de fréquence, tension et courant admissible (ou de consommation de courant).
- Utilisez le câble d'alimentation et l'adaptateur CA fournis.

< Utilisation >

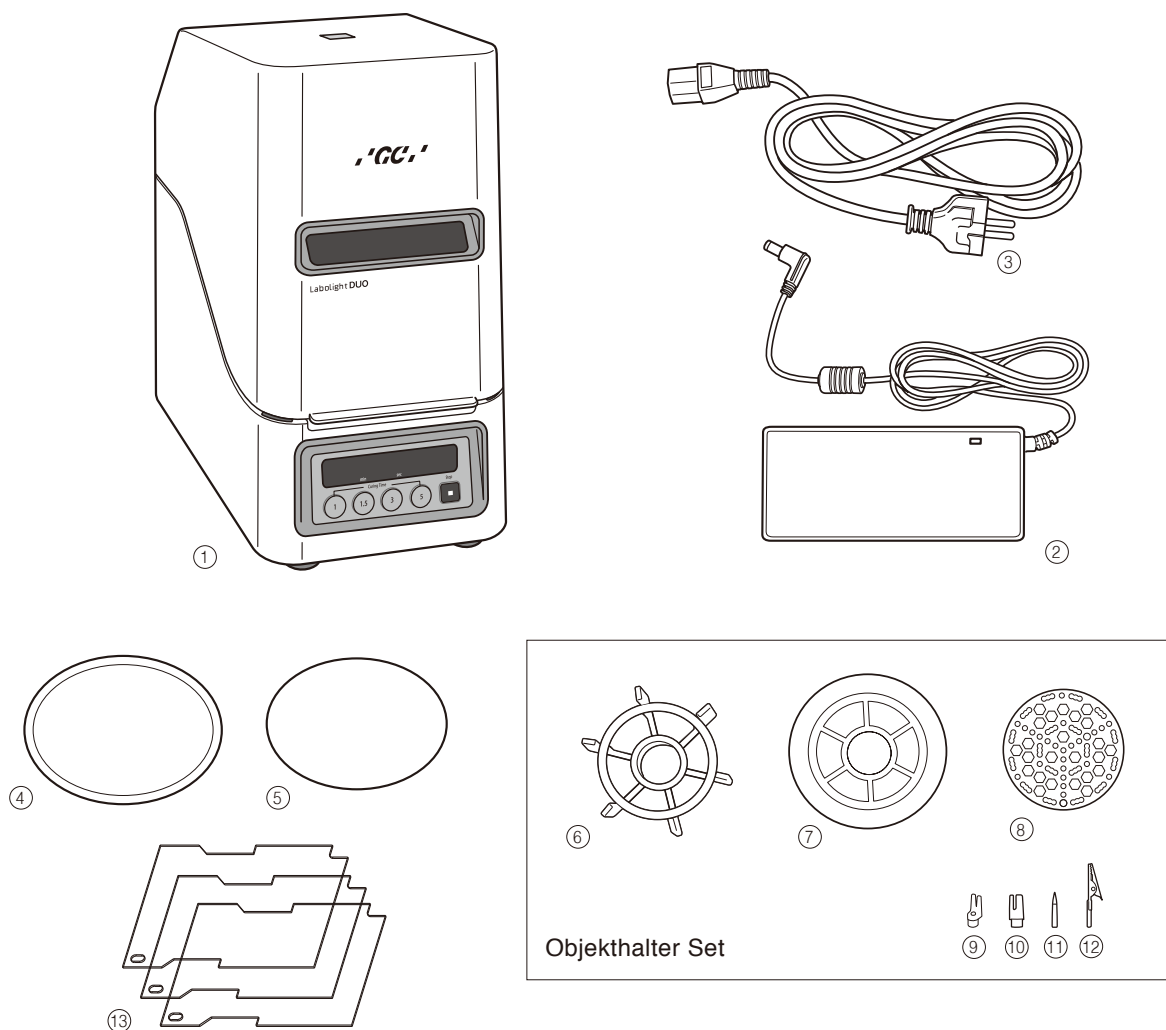
- Ne pas ouvrir/fermer la porte brusquement. Cela risquerait d'endommager la porte ou l'objet à l'intérieur de la chambre de polymérisation.
- Lors de l'ouverture/la fermeture de la porte, veillez à ne pas laisser votre main ou une partie de votre corps s'introduire dans la porte, en dessous de celle-ci, voire dans son interstice. Cela pourrait occasionner des blessures physiques ou des dégâts matériels.
- Ne touchez pas le plateau tournant. Vos doigts pourraient en effet se retrouver coincés ou le plateau tournant pourrait être endommagé.
- Si un élément quelconque se retrouve coincé par le plateau tournant, arrêtez sa rotation en appuyant sur l'interrupteur d'arrêt ou en actionnant l'interrupteur principal avant d'enlever l'objet coincé.
- Enlevez les saletés de la protection de la lentille ou remplacez la protection sale. La partie sale risquerait en effet de chauffer et de déformer ou de faire fondre la protection.
- Placez un objet soumis à polymérisation avec la surface à polymériser face à la source lumineuse.
- Paramétrez une durée de polymérisation adaptée au matériau utilisé.
- Assurez-vous de la parfaite polymérisation du matériau une fois celle-ci terminée. En cas de polymérisation insuffisante, prolongez la durée d'émission de la lumière d'irradiation.
- En mode par étape, n'effectuez pas la polymérisation d'un composite alors que celui-ci se trouve dans vos mains. Le composite chaud pourrait occasionner des brûlures.
- En mode pleine puissance, n'enlevez pas un composite avec vos mains une fois la polymérisation terminée.
Le composite chaud pourrait occasionner des brûlures.

< Entretien >

- Veillez à contrôler régulièrement l'équipement et ses composants.
- Nettoyez régulièrement la chambre de polymérisation. En effet, une chambre sale ne peut effectuer une polymérisation efficace. L'utilisation d'un produit inflammable (à base d'alcool isopropylique) peut déclencher un incendie/une explosion en cas d'activation de la lampe en présence de vapeurs dans la chambre.
- Remplacez régulièrement la protection de la lentille. Cette dernière risque en effet de perdre en efficacité au fil du temps et à cause de la saleté.
- Si l'unité est utilisée sans la protection de la lentille, celle-ci risque d'être moins efficace du fait de la protection insuffisante. Veillez à utiliser l'unité avec la protection.

3. Description du produit

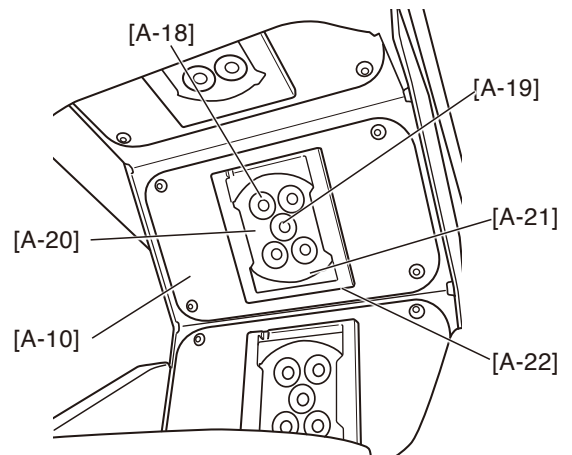
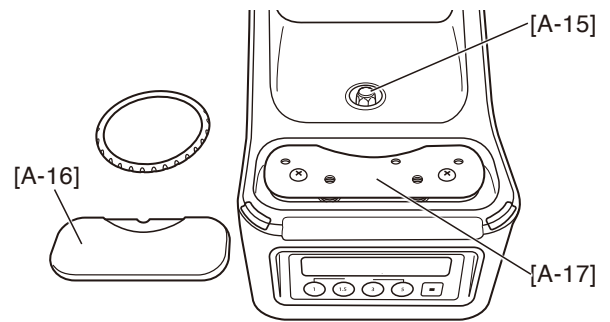
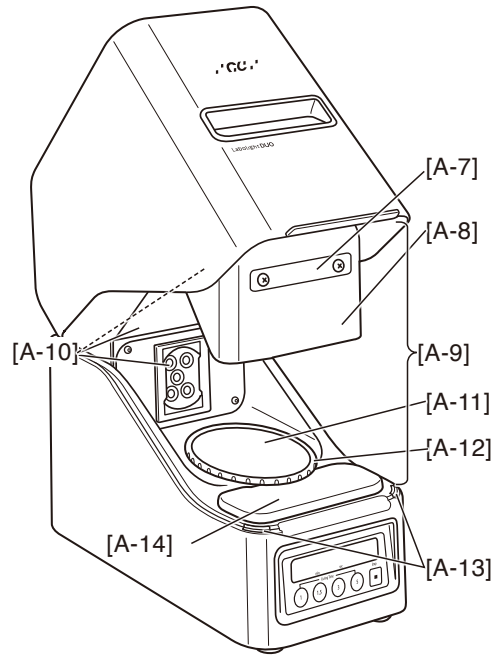
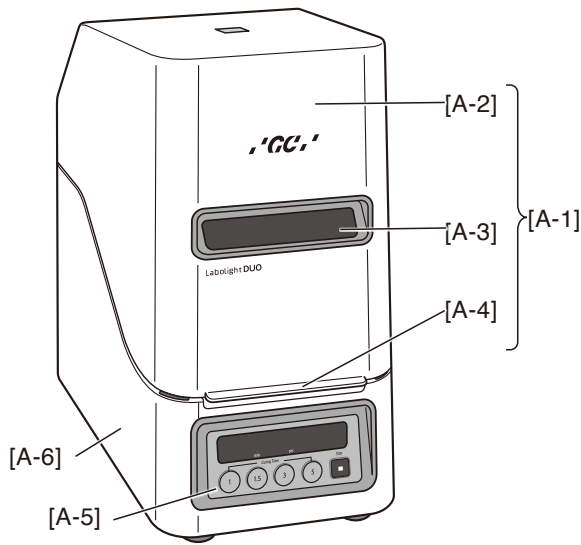
3.1 Contenu de l'emballage



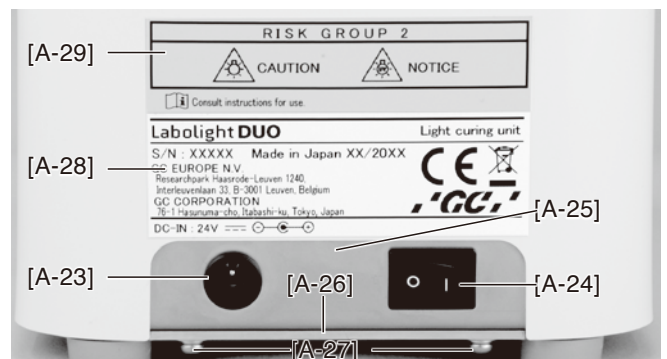
N°	Contenu		Quantité
①	Boîtier principal du Labolight Duo		1
②	Adaptateur CA		1
③	Câble d'alimentation		1
④	Plateau tournant		1
⑤	Plateau		1
⑥	Kit du support de polymérisation	Porte-support de polymérisation	2
⑦		Plaque de polymérisation	1
⑧		Support de polymérisation	1
⑨		Support en silicone pour dent antérieure	4
⑩		Support en silicone pour dent postérieure	3
⑪		Support métallique	4
⑫		Clip	1
⑬	Protection de la lentille (de rechange / Jeu de 3)		1
	Mode d'emploi		1

3.2 Noms et fonctions des pièces

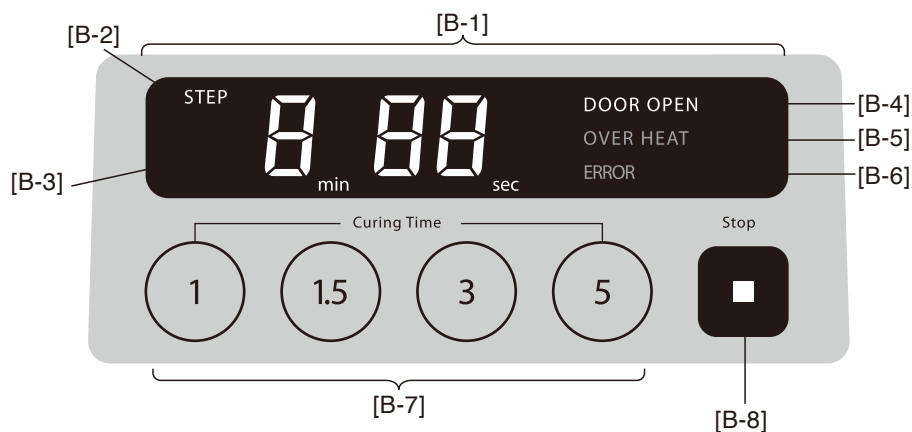
3.2.1 Boîtier principal







N°	Nom
[A-1]	Porte
[A-2]	Boîtier supérieur
[A-3]	Fenêtre
[A-4]	Poignée
[A-5]	Panneau de commande
[A-6]	Boîtier inférieur
[A-7]	Plaque de fixation de la visière
[A-8]	Visière
[A-9]	Chambre de polymérisation
[A-10]	Unité LED (supérieure / du milieu / inférieure)
[A-11]	Plateau
[A-12]	Plateau tournant
[A-13]	Amortisseur de porte (tampon)
[A-14]	Interrupteur du mode par étape
[A-15]	Axe du plateau tournant
[A-16]	Couvre-interrupteur du mode par étape
[A-17]	Plaque de l'interrupteur du mode par étape
[A-18]	LED bleues (4 lampes disposées en circonférence sur chaque unité)
[A-19]	LED violettes (1 lampe au centre sur chaque unité)
[A-20]	Lentille
[A-21]	Protection de la lentille
[A-22]	Support de la protection de la lentille
[A-23]	Connecteur d'alimentation
[A-24]	Interrupteur principal
[A-25]	Gousset de l'interrupteur principal (plaque arrière)
[A-26]	Plaque de base
[A-27]	Support en caoutchouc
[A-28]	Plaque signalétique
[A-29]	Étiquette de mise en garde



3.2.2 Panneau de commande

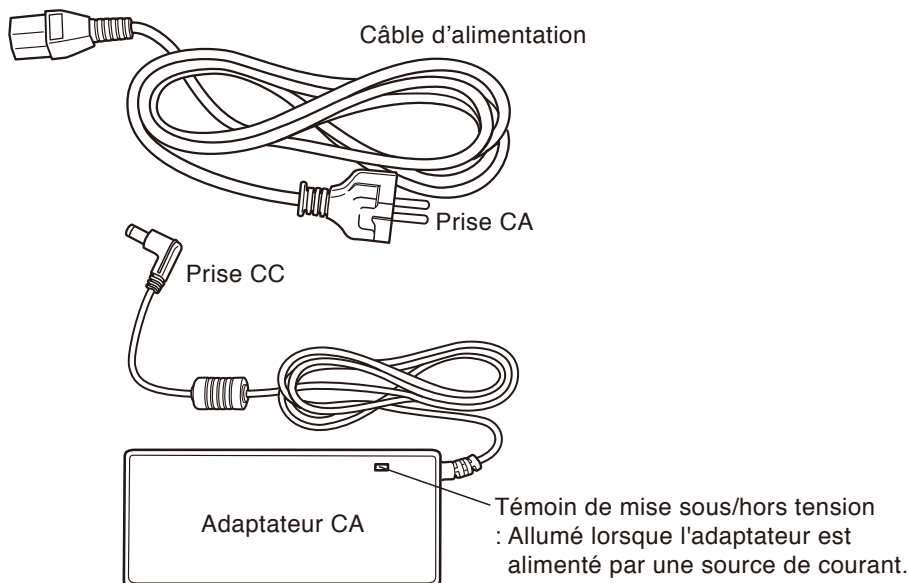


N°	Nom	Information
[B-1]	Écran d'affichage	Affiche le statut des divers dispositifs.
[B-2]	Indicateur du mode par étape	Allumé en cours d'irradiation en mode par étape.
[B-3]	Affichage du temps	<p>– indique la durée d'irradiation restante en mode par étape ou pleine puissance. – un clignotement du temps indique un arrêt temporaire.</p> <p>État de veille la porte ouverte (= état de veille en mode par étape) </p> <p>État de veille la porte fermée (= état de veille en mode pleine puissance) </p> <p>Une fois le mode pleine puissance correctement exécuté, « Fin » est indiqué à l'écran. </p> <p>En cas d'erreur, le code d'erreur est affiché. </p>
[B-4]	Témoin de porte ouverte	Éteint : la porte est fermée. Allumé : la porte est ouverte.
[B-5]	Témoin de surchauffe	Clignotant : alarme de température – signale une température élevée des LED due à un usage continu. – les LED sont sur le point de surchauffer. Marquez une pause suffisante. Allumé : surchauffe – allumé en cas d'interruption temporaire de l'irradiation due à une température élevée des LED.
[B-6]	Témoin d'erreur	Allumé si une erreur survient. (Pour un complément d'information sur les erreurs, consultez le chapitre 7, « Dépannage ».)
[B-7]	Bouton de la durée de la polymérisation (1/1,5/3/5)	Une pression lance l'irradiation en mode pleine puissance. La durée d'irradiation est respectivement de 1, 1,5 et 5 minutes. Des pressions successives la prolonge, permettant une irradiation continue pouvant durer jusqu'à 10 minutes.
[B-8]	Bouton Stop	À utiliser pour arrêter l'irradiation en mode par étape ou pleine puissance voire pour mettre fin à une pause temporaire.

Autre unité opérationnelle

[A-13]	Interrupteur du mode par étape	Une pression lance l'irradiation pendant 10 secondes en mode par étape. Des pressions successives prolongent la durée, permettant une irradiation continue jusqu'à 30 secondes maximum.
--------	--------------------------------	--



3.2.3 Adaptateur CA et câble d'alimentation



3.2.4 Plaque signalétique/Étiquette de mise en garde

< Plaque signalétique du boîtier principal >

Labolight DUO	Light curing unit
S/N : XXXXX Made in Japan XX/20XX	
GC EUROPE N.V. Researchpark Haasrode-Leuven 1240, Interleuvenlaan 33, B-3001 Leuven, Belgium	
GC CORPORATION 76-1 Hasunuma-cho, Itabashi-ku, Tokyo, Japan	
DC-IN : 24V 	

Labolight DUO	Light curing unit
S/N : XXXXX Made in Japan XX/20XX	
GC AMERICA INC. 3737 West 127th Street, Alsip, Illinois 60803 U.S.A.	
GC CORPORATION 76-1 Hasunuma-cho, Itabashi-ku, Tokyo, Japan	
DC-IN : 24V 	

< Étiquette de mise en garde >

RISK GROUP 2	
 CAUTION	 NOTICE
 Consult instructions for use.	

4. Méthode d'installation

4.1 Transport

Remarque

- Évitez tout impact sur l'unité en la plaçant sur une surface plane pendant le transport.
- Utilisez des matériaux de conditionnement spécifiques.

Pour une élimination et un recyclage de l'emballage en toute sécurité, veillez à mettre au rebut tous les matériaux d'emballage conformément aux directives de recyclage en vigueur.

4.2 Déballage

Assurez-vous de la livraison de tous les composants avant l'installation et l'assemblage (voir section 3.1 « Contenu de l'emballage »). Contrôlez également l'unité pour repérer tout endommagement éventuel occasionné lors du transport. Contactez le revendeur ou GC pour tout composant manquant ou endommagé.

4.3 Installation

1) Installez l'unité en veillant plus particulièrement à :

- Mettre l'unité sur un banc ou une plate-forme plane et ignifuge.
- Pour la température, l'humidité et la pression atmosphérique au sein de l'environnement d'utilisation, voir chapitre 9 « Spécifications ».
- Pour les dimensions et le poids de l'unité, voir le chapitre 9 « Spécifications ».

Zone d'installation : Approx. 200 mm × 350 mm

ATTENTION

- N'installez pas l'unité dans un lieu de stockage de produits chimiques ou dans lequel du gaz peut se dégager.
- Ne placez pas des objets inflammables près du boîtier principal. Cela pourrait provoquer un incendie.
- Ne placez aucun équipement sensible à la lumière ou à la chaleur près de l'unité.

ATTENTION

- Assurez-vous que l'unité est stable en faisant notamment attention à l'inclinaison, aux vibrations et aux impacts.

Remarque

- Pour transporter le boîtier principal, tenez-le par le dessous avec vos deux mains et la porte fermée.
- Utilisez l'unité à l'intérieur.
- Installez le boîtier principal sur une surface plane.
- L'unité ne doit pas être exposée à la lumière directe du soleil, à la poussière, à un environnement humide, à de l'air contenant du sel et du soufre, ou être placée près d'une source de chaleur.
- Installez l'unité à l'abri des éclaboussures d'eau.
- Installez l'unité dans un endroit bien ventilé.

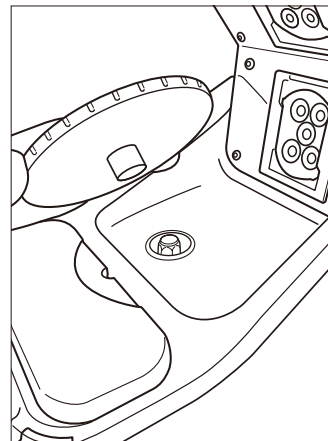
2) Assurez-vous qu'une distance permettant d'actionner la porte est respectée.

ATTENTION

■ Lors de l'ouverture/la fermeture de la porte, veillez à ne pas laisser votre main ou une partie de votre corps s'introduire dans la porte, en dessous de celle-ci, voire dans son interstice. Cela pourrait occasionner des blessures physiques ou des dégâts matériels.

4.4 Assemblage

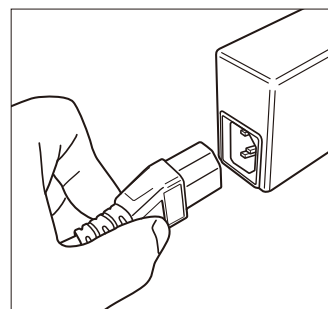
- 1) Tirez lentement la porte par la poignée en la faisant pivoter vers le haut.
- 2) Alignez le plateau tournant sur son axe.
*Six positions d'alignement sont proposées, avec un intervalle de 60 degrés permettant de pousser la porte complètement vers le bas. Choisissez l'une des six positions.
- 3) Placez un plateau dans le creux prévu à la surface du plateau tournant.



ATTENTION

■ Lors de l'ouverture/la fermeture de la porte, veillez à ne pas laisser votre main ou une partie de votre corps s'introduire dans la porte, en dessous de celle-ci, voire dans son interstice. Cela pourrait occasionner des blessures physiques ou des dégâts matériels.

- 4) Connectez le câble d'alimentation à l'adaptateur CA.
- 5) Branchez la prise CC de l'adaptateur CA au connecteur d'alimentation situé à l'arrière du boîtier principal.
- 6) Connectez le câble d'alimentation à la sortie 3P(100 - 240 CA).
*voir le chapitre 10, « Spécifications ».
- 7) Assurez-vous que le témoin d'alimentation de l'adaptateur CA est allumé.
→ S'il est éteint, revérifiez les raccordements.



ATTENTION

■ Assurez une mise à la terre lors de la connexion de la prise électrique.

ATTENTION

- Veillez à utiliser une source d'alimentation adéquate en termes de fréquence, tension et courant admissible (ou de consommation de courant).
- Utilisez le câble d'alimentation et l'adaptateur CA fournis.

Remarque

- Utilisez uniquement les pièces et les accessoires d'origine. L'utilisation de pièces et d'accessoires autres que ceux d'origine mettra fin à la garantie et exonèrera GC de toute responsabilité.

4.5 Démarrage et vérification

1) Activez l'interrupteur principal, la porte fermée, pour vérifier ce qui suit :

	Le temps est affiché. (voir point 3.2.2)
--	--

2) Appuyez une seule fois sur l'interrupteur du mode par étape, la porte ouverte, pour vérifier ce qui suit :

	L'interrupteur du mode par étape peut être activé. Une fois l'interrupteur relâché, il revient à sa position de départ.
	Seules les LED de la rangée supérieure sont allumées. *Ne regardez pas directement les LED pendant cette opération.
	L'indicateur du mode par étape est affiché à l'écran. Le temps affiché s'écoule par tranche de 10 secondes.
	Aucune lumière d'irradiation ou réfléchie forte n'est projetée sur les personnes ou les objets à proximité.



* En cas de constat d'une anomalie quelconque de l'unité, appuyez sur le bouton d'arrêt pour arrêter l'irradiation.



ATTENTION

■ Malgré le faible taux d'émission, ne regardez pas à l'intérieur de l'unité pour surveiller la lumière d'irradiation en mode par étape. N'introduisez aucun objet susceptible de renvoyer de la lumière dans les yeux. Cela pourrait endommager vos yeux.

3) Appuyez sur le bouton de la durée de polymérisation (une minute), la porte ouverte, pour vérifier ce qui suit :

*Procédez à la vérification en l'espace de 20 secondes car l'unité s'arrête après une erreur liée à la détection d'une porte ouverte lorsque ce délai est écoulé.

	Au moins l'une des quatre LED bleues de chacune des rangées (supérieure, du milieu et inférieure) est légèrement éclairée. * La LED violette est alors éteinte. * Il est normal qu'au moins une des quatre LED soit allumée bien qu'il arrive très rarement qu'aucune d'entre elles ne le soient en raison de la faiblesse du courant.
	Le plateau tournant est activé.
	L'irradiation s'arrête en 20 secondes.



* En cas de constat d'une anomalie quelconque de l'unité, appuyez sur le bouton d'arrêt pour arrêter l'irradiation.

4) Appuyez sur le bouton de la durée de polymérisation (une minute), la porte fermée, afin de vérifier ce qui suit :

	À travers la vitre, vous constaterez que les LED des rangées du milieu et inférieure sont allumées.
	Par ailleurs la table tournante est activée. (si cela est difficile à déterminer, utilisez le support de polymérisation.)
	Un décompte est affiché.
	L'irradiation s'arrête après une minute.

* En cas de constat d'une anomalie quelconque de l'unité, appuyez sur le bouton d'arrêt pour arrêter l'irradiation.



 **ATTENTION**

- En mode pleine puissance, ne regardez pas à l'intérieur de la chambre de polymérisation à travers la fenêtre pendant une longue période. Dans le cas contraire, cela pourrait vous incommoder.

 **ATTENTION**

- Si l'unité est défectueuse ou endommagée, cessez immédiatement de l'utiliser, mettez-la hors tension et retirez le câble d'alimentation.

 **Remarque**

- Avant d'utiliser l'unité après un arrêt prolongé, assurez-vous qu'elle fonctionne normalement et en toute sécurité.

4.6 Arrêt et stockage

- 1) Fermez la porte et actionnez l'interrupteur principal en position de désactivation.

 **Remarque**

- Lorsque vous n'utilisez pas l'unité pendant une période prolongée, il est recommandé de débrancher le câble d'alimentation pour économiser de l'énergie.

 **ATTENTION**

- Ne pas insérer ou retirer la prise les mains humides afin d'éviter toute électrocution.
- N'exercez pas une force excessive lorsque vous débranchez les câbles, notamment en tenant le câble pour les débrancher.

- 2) Nettoyez l'unité pour assurer son parfait fonctionnement lors de l'utilisation suivante (voir chapitre 6, « Entretien »).

 **ATTENTION**

- Nettoyez régulièrement la chambre de polymérisation. En effet, une chambre sale ne peut effectuer une polymérisation efficace.

- 3) Entrez l'unité en faisant attention à ce qui suit :

- Pour la température, l'humidité et la pression atmosphérique au sein de l'environnement de stockage, voir chapitre 9 « Spécifications ».

 **ATTENTION**

- Assurez-vous que l'unité est stable en faisant notamment attention à l'inclinaison, aux vibrations et aux impacts.

 **Remarque**

- L'unité ne doit pas être exposée à la lumière directe du soleil, à la poussière, à un environnement humide, à de l'air contenant du sel et du soufre, ou être placée près d'une source de chaleur.
- Installez l'unité à l'abri des éclaboussures d'eau.

5. Méthode d'utilisation

5.1 Méthode d'utilisation de base

Remarque

- Assurez-vous du fonctionnement normal de l'unité avant de l'utiliser.
- Faites particulièrement attention à ce qui suit en cas d'utilisation de l'unité :
 - contrôlez constamment l'unité afin de repérer toute anomalie éventuelle.
 - en cas de détection d'une anomalie quelconque, prenez des mesures appropriées, y compris l'arrêt de l'unité.

AVERTISSEMENT

- Il est interdit aux membres du personnel souffrant de photosensibilité – notamment d'une allergie à la lumière – d'utiliser l'unité. Par ailleurs, il convient de veiller à ne pas orienter la lumière d'irradiation vers les personnes souffrant de photosensibilité, dont celles allergiques à la lumière.
- Les membres du personnel porteurs d'un stimulateur cardiaque ne doivent pas utiliser l'unité. Le stimulateur risquerait en effet de dysfonctionner.

AVERTISSEMENT

- En cas de réparation d'une prothèse enlevée de la cavité buccale d'un patient, désinfectez la prothèse avant de la placer dans l'unité afin d'éviter toute infection.

- 1) Activez l'interrupteur principal et vérifiez si une indication est affichée à l'écran. (voir point 3.2.2)
- 2) Polymérisez un composite en mode par étape (voir section 5.2) ou en mode pleine puissance (voir section 5.3).

ATTENTION

- Ne regardez pas directement le faisceau lumineux d'irradiation. Cela pourrait endommager vos yeux.
- N'orientez pas le faisceau lumineux sur un objet se trouvant plus près de la source lumineuse qu'il n'est recommandé. En effet, il pourrait chauffer.
- Ne placez pas vos mains près de la source de lumière d'irradiation. Vous risqueriez de vous brûler.

ATTENTION

- Portez un équipement de protection adéquat tel que des lunettes filtrant la lumière d'une longueur d'onde de 500 nm ou inférieure notamment en cas d'utilisation prolongée de l'unité, si vous êtes photosensible, voire si vous souffrez d'une cataracte ou si votre rétine est endommagée.

ATTENTION

- Pour manipuler l'interrupteur, utilisez vos mains mais aucun outil tranchant.

ATTENTION

- Lors de l'ouverture /la fermeture de la porte, veillez à ne pas laisser votre main ou une partie de votre corps s'introduire dans la porte, en dessous de celle-ci, voire dans son interstice. Cela pourrait occasionner des blessures physiques ou des dégâts matériels.

ATTENTION

- Placez un objet soumis à polymérisation avec la surface à polymériser face à la source lumineuse.
- Paramétrez une durée de polymérisation adaptée au matériau utilisé.

ATTENTION

- Assurez-vous de la parfaite polymérisation du matériau une fois celle-ci terminée. En cas de polymérisation insuffisante, prolongez la durée d'émission de la lumière d'irradiation.
- Enlevez les saletés de la protection de la lentille ou remplacez la protection sale. La partie sale risquerait en effet de chauffer et de déformer ou de faire fondre la protection.

3) Une fois l'utilisation terminée, fermez la porte et actionnez l'interrupteur principal en position de désactivation.
(voir section 4.6)

ATTENTION

- Ne touchez pas l'unité LED et ses alentours après une utilisation prolongée de l'unité. Vous risqueriez de vous brûler.

Remarque

- Lorsque vous n'utilisez pas l'unité pendant une période prolongée, il est recommandé de débrancher le câble d'alimentation pour économiser de l'énergie.

5.2 Mode par étape

Remarque

- Utilisez le mode par étape uniquement pour la prépolymérisation.

1) Ouvrez la porte et assurez-vous que le témoin de porte ouverte est allumé.
(État de veille en mode par étape)



2) Placez un objet en cours de polymérisation dans la position de polymérisation recommandée (décrite ci-dessous) et appuyez sur l'interrupteur du mode par étape.

- Cela lance une irradiation légère, uniquement par les LED supérieures, la durée restante étant affichée à l'écran.
- Dix secondes sont ajoutées au temps restant en appuyant sur ce même interrupteur pendant l'irradiation légère.
- 30 secondes maximum peuvent être ajoutées.

ATTENTION

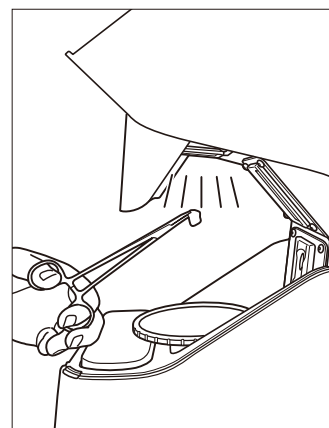
- Ne regardez pas à l'intérieur de l'unité pour surveiller la lumière d'irradiation en mode par étape. Cela pourrait endommager vos yeux.
- En mode par étape, évitez de fixer constamment la lumière réfléchiée et marquez une pause lorsque vous travaillez longtemps sur l'unité. Dans le cas contraire, cela pourrait vous incommoder.
- Ne placez pas vos mains près de la source de lumière d'irradiation. Vous risqueriez de vous brûler.

ATTENTION

- En cas d'irradiation d'une prothèse en mode par étape, évitez autant que possible de placer vos mains entre la source lumineuse et le plateau tournant, notamment en utilisant une pince pour couronne. Une utilisation prolongée pourrait leur causer des rougeurs.

ATTENTION

- En mode par étape, n'effectuez pas la polymérisation d'un composite alors que celui-ci se trouve dans vos mains. Le composite chaud pourrait occasionner des brûlures.



3) Une fois l'irradiation légère terminée, retirez l'objet soumis à polymérisation.

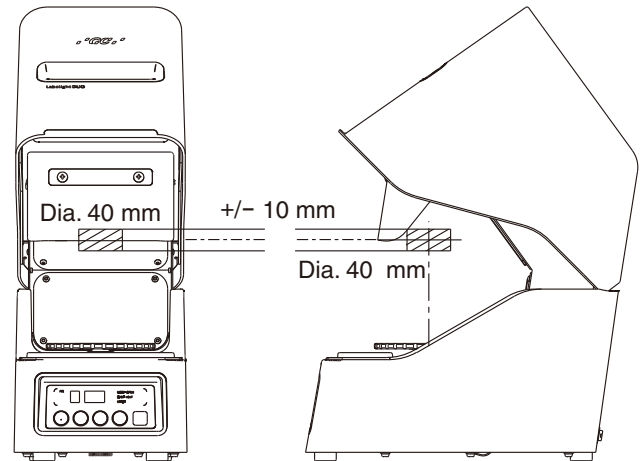
* Une utilisation prolongée de l'unité peut entraîner le clignotement de l'indicateur de surchauffe en raison d'une température excessive des LED (avertissement de température). En cas d'activation de l'alarme de température, il est recommandé de marquer une pause d'une durée équivalente à celle de la polymérisation précédente.

* Si la température continue d'augmenter, l'unité s'arrêtera automatiquement pour laisser les LED refroidir. L'irradiation sera par ailleurs désactivée.

< Position de polymérisation recommandée en mode par étape >

Placez un composite dans la zone hachurée comme indiqué sur le diagramme.

(Zone hachurée : à l'intérieur d'un cercle d'environ 40 mm de diamètre directement au-dessus du plateau tournant et à environ 10 mm en-dessous du bord de la visière)



5.3 Mode pleine puissance

1) Ouvrez la porte et placez l'objet soumis à polymérisation sur le plateau tournant (voir section 5.4).

i Remarque

- Utilisez le plateau tournant pour orienter le faisceau lumineux sur l'ensemble du composite.
- En cas de polymérisation simultanée de plusieurs composites, disposez-les de manière à éviter qu'ils projettent de l'ombre les uns sur les autres.

2) Après avoir vérifié si le témoin de porte ouverte est éteint, fermez la porte.
(État de veille en mode pleine puissance)



3) Sélectionnez et appuyez sur un bouton correspondant à la durée de polymérisation recommandée pour l'objet à traiter.

- Cela lance immédiatement une irradiation légère, la durée restante étant affichée à l'écran.
- Une pression sur ce bouton lorsqu'une irradiation légère est en cours ajoute la durée correspondant à la touche sélectionnée au temps restant. 10 minutes maximum peuvent être ajoutées.

i Remarque

- En mode pleine puissance, supervisez la rotation du plateau tournant à travers la fenêtre.

ATTENTION

- En mode pleine puissance, ne regardez pas à l'intérieur de la chambre de polymérisation à travers la fenêtre pendant une longue période. Dans le cas contraire, cela pourrait vous incommoder.
- N'orientez pas le faisceau lumineux sur un objet se trouvant plus près de la source lumineuse qu'il n'est recommandé. En effet, il pourrait chauffer.

⚠ ATTENTION

■ Si un élément quelconque se retrouve coincé par le plateau tournant, arrêtez sa rotation en appuyant sur l'interrupteur d'arrêt ou en actionnant l'interrupteur principal avant d'enlever l'objet coincé.

- * Pour arrêter une polymérisation en cours, appuyez sur le bouton d'arrêt. L'unité passera en état de veille.
- * Pour arrêter temporairement une polymérisation, ouvrez la porte en cours de traitement ou appuyez sur le bouton de la minuterie avec la porte ouverte. Dans ce cas, seules les LED bleues seront légèrement allumées et le plateau tournant poursuivra sa rotation.
 - Après 15 secondes, une alarme sonore retentit, suivie d'un signal d'erreur après 20 secondes. Le traitement est alors arrêté.
 - La fermeture de la porte dans un délai de 20 secondes met fin à l'arrêt temporaire et le mode pleine puissance reprend.
- * Une utilisation prolongée de l'unité peut entraîner le clignotement de l'indicateur de surchauffe en raison d'une température excessive des LED. (Avertissement de température)
En cas d'alerte de température, il est recommandé de procéder à une irradiation légère pendant 5 minutes maximum et de marquer ensuite une pause d'une durée équivalente à celle de l'irradiation. La durée maximale programmable est de 5 minutes, l'alerte de température étant affichée.
- * Si la température continue d'augmenter, le mode pleine puissance s'arrête temporairement pour laisser les LED reposer. L'opération reprendra automatiquement lorsque les LED auront suffisamment refroidi. Une pression sur le bouton d'arrêt ou le fait de laisser la porte ouverte réinitialise le temps restant.

- 4) Une durée restante de « 0 » signale la fin de la polymérisation.
La fin du traitement est également indiquée par un son de fin et l'affichage de l'indication « Fin ».
Après avoir contrôlé l'affichage, ouvrez la porte et retirez l'objet.



FR

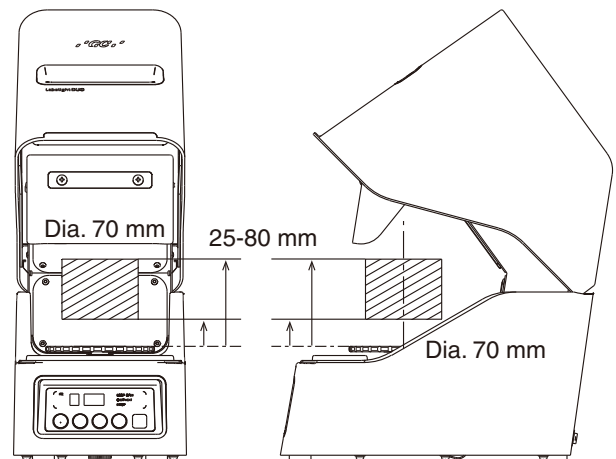
⚠ ATTENTION ⚡

■ En mode pleine puissance, n'enlevez pas un composite avec vos mains une fois la polymérisation terminée.
Le composite chaud pourrait occasionner des brûlures.

< Position de polymérisation recommandée en mode pleine puissance >

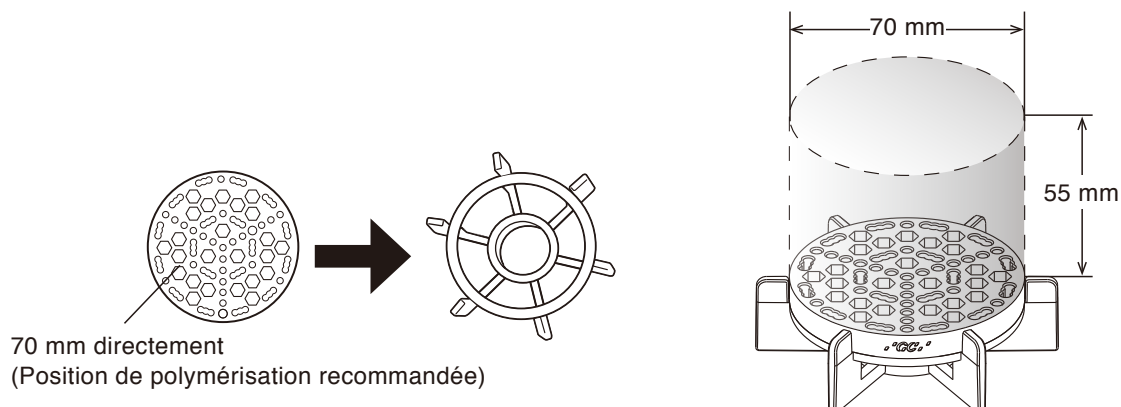
Placez un objet soumis à polymérisation dans la zone hachurée comme indiqué sur le diagramme.

(Zone hachurée : à l'intérieur du cercle d'un diamètre d'environ 70 mm directement au-dessus du plateau tournant et à une hauteur de 25 à 80 mm à partir de la surface supérieure du plateau tournant.)



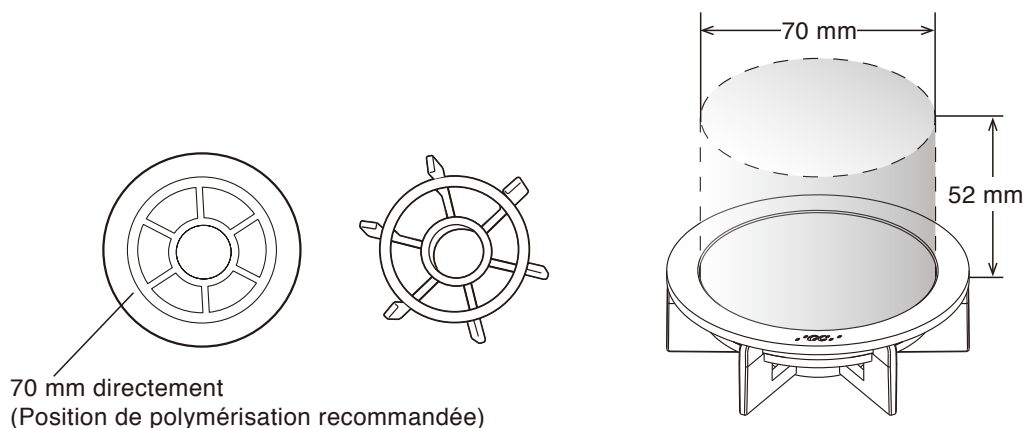
1) Prothèse seule (couronne et bridge par exemple)
/ Prothèse sur un modèle muni d'une broche radiculaire

Utilisez le « support de polymérisation » et le « porte-support de polymérisation ».
(Pour un complément d'information sur le support de polymérisation, voir la section 5.4)



2) Prothèse ou dent artificielle d'une hauteur de 52 mm ou moins placée sur un modèle

Utilisez la « plaque de polymérisation » et le « porte-support de polymérisation ».



3) Prothèse ou dent artificielle d'une hauteur de 52 mm ou plus placée sur un modèle

Placez-la avec le modèle sur le plateau tournant.

i Remarque :

- Lorsque vous placez un objet soumis à polymérisation en dehors de la distance de polymérisation recommandée, paramétrez une durée de polymérisation plus importante car le faisceau lumineux pourrait ne pas éclairer suffisamment l'objet.
- Lorsqu'une prothèse ou un modèle est placé au-delà du diamètre extérieur de 100 mm du plateau tournant ou à plus de 80 mm, une interférence entre l'objet soumis à polymérisation ou le modèle et la visière ou la paroi de la chambre de polymérisation est possible, ce qui peut entraîner une rotation inadéquate du plateau tournant ou l'empêcher.

5.4 Méthode d'utilisation du kit du support de polymérisation

Pour une prothèse seule, telle qu'une couronne et un bridge, ou celle placée sur un modèle muni d'une broche radiculaire, disposez-la à l'aide du support de polymérisation et divers supports, en fonction des divers exemples d'utilisation.



Clip
Immobilise une prothèse et est inséré dans un trou rond ou trois trous ronds consécutifs prévus sur le support de polymérisation.

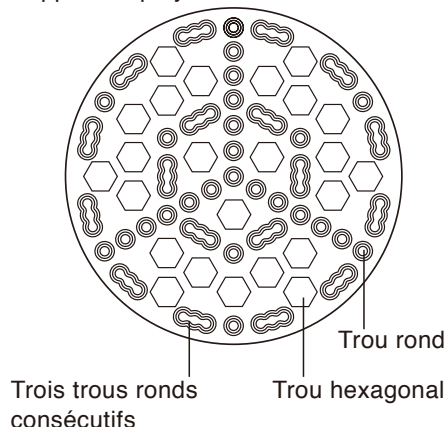


Support métallique
Accueille une prothèse et est inséré dans un trou rond ou dans les trois trous ronds consécutifs prévus sur le support de polymérisation.



Support en silicone
Accueille une prothèse et est inséré dans un trou hexagonal prévu sur le support de polymérisation. Coupez toute protubérance au besoin pour l'utilisation.

Support de polymérisation



La prothèse est placée sur un modèle muni d'une broche radiculaire. Le modèle comportant une prothèse est placé sur le support de polymérisation en insérant la broche radiculaire dans le trou hexagonal prévu sur le support.

6. Entretien

6.1 Vérification

Veillez procéder à la vérification et à l'entretien en respectant les intervalles recommandés à titre indicatif :

ATTENTION

■ Veillez à contrôler régulièrement l'équipement et ses composants.

	Éléments	Détails
Vérification quotidienne	Vérifier que les LED sont allumées Vérifier l'état du plateau tournant	Après avoir appuyé sur le bouton de la minuterie avec la porte ouverte, vérifier que les LED respectives s'allument et que le plateau tourne correctement. Une défaillance quelconque entraîne une anomalie de la polymérisation. (Pour un complément d'information, voir la rubrique 4.5 « Démarrage et vérification ».)
	Vérifier si la protection de la lentille n'est pas sale.	Si c'est le cas, la nettoyer. (Voir Section 6.2, « Nettoyage et remplacement des parties respectives. »)
Vérification hebdomadaire	Vérifier si les raccordements sont corrects.	S'assurer que l'adaptateur CA et le câble d'alimentation sont raccordés correctement. Contrôler toute accumulation de poussière.
	Vérifier si l'interrupteur du mode par étape est sale.	Enlever toute poussière ou saleté sur cet interrupteur. (Voir Section 6.2, « Nettoyage et remplacement des parties respectives. »)
	Vérifier la présence de saletés à l'intérieur de la chambre de polymérisation.	Nettoyer cette dernière au besoin. (Voir Section 6.2, « Nettoyage et remplacement des parties respectives. »)

	Éléments	Détails
Remplacement des pièces	Remplacement de la protection de la lentille (Intervalle de remplacement à titre d'indication : 1 an *en fonction de la fréquence d'utilisation)	Une lentille fortement décolorée, sale ou rayée peut occasionner une anomalie de la polymérisation. S'il s'avère impossible de restaurer une lentille décolorée, contaminée ou rayée, il convient de la remplacer. * La protection de la lentille peut se décolorer au fil du temps. (Voir Section 6.2, « Nettoyage et remplacement des parties respectives. »)

ATTENTION

- Nettoyez régulièrement la chambre de polymérisation. En effet, une chambre sale ne peut effectuer une polymérisation efficace. L'utilisation d'un produit inflammable (à base d'alcool isopropylique) peut déclencher un incendie/une explosion en cas d'activation de la lampe en présence de vapeurs dans la chambre.

Remarque

- La défaillance d'une unité LED n'empêche pas les autres d'émettre un faisceau lumineux. Toutefois, en raison de la diminution de la quantité totale de lumière, la durée de polymérisation doit être augmentée et l'état de la polymérisation doit être surveillé. La LED défectueuse doit être réparée sans tarder.

6.2 Nettoyage et remplacement des pièces

Veillez à débrancher le câble d'alimentation afin d'éviter toute activation de l'unité pendant le nettoyage ou les travaux de remplacement.

ATTENTION

- L'entretien de l'unité après une longue utilisation doit être effectué après avoir laissé cette dernière refroidir suffisamment.


ATTENTION

- Actionnez l'interrupteur principal en position désactivée et débranchez le câble d'alimentation avant tout nettoyage ou remplacement des pièces.

6.2.1 Méthode de nettoyage des parties respectives

ATTENTION

- Nettoyez régulièrement la chambre de polymérisation. En effet, une chambre sale ne peut effectuer une polymérisation efficace.

Éléments	Détails
Protection de la lentille	<p>À nettoyer avec un chiffon doux imbibé d'un peu d'eau ou d'alcool.</p> <p>* S'il s'avère impossible de restaurer une lentille décolorée, contaminée ou rayée, il convient de la remplacer.</p> <p>* La protection de la lentille peut se décolorer au fil du temps.</p> <div style="border: 1px solid black; padding: 5px; text-align: center;"> <p>⚠ ATTENTION</p> <p>■ Enlevez les saletés de la protection de la lentille ou remplacez la protection sale. La partie sale risquerait en effet de chauffer et de déformer ou de faire fondre la protection.</p> <p>■ Si l'unité est utilisée sans la protection de la lentille, celle-ci risque d'être moins efficace du fait de la protection insuffisante. Veillez à utiliser l'unité avec la protection.</p> </div>
Plateau tournant	<p>À nettoyer avec un chiffon doux imbibé d'un peu d'eau ou d'alcool.</p> <p>* Soulever le plateau tournant pour l'enlever.</p> <p>* Ce faisant, le faire tourner jusqu'à ce qu'une des six positions soit repérée (intervalle de 60 degrés) ; le plateau tournant s'enfonce alors au fond.</p>
Interrupteur du mode par étape	<p>À nettoyer avec un chiffon doux imbibé d'un peu d'eau ou d'alcool.</p> <p>En cas d'accumulation de saleté dans un espace, enlever le couvre-interrupteur du mode par étape et le nettoyer par exemple à l'aide d'un coton-tige.</p> <p>(méthode expliquée au point 6.2.3)</p> 
Visière	À nettoyer en principe avec un chiffon doux imbibé d'un peu d'eau ou d'alcool.
Boîtier, chambre de polymérisation	À nettoyer en principe avec un chiffon doux imbibé d'un peu d'eau ou d'alcool.
Porte-support de polymérisation	À nettoyer en principe avec un chiffon doux imbibé d'un peu d'eau ou d'alcool.
Plateau Support métallique Clip	<p>À nettoyer en principe avec un chiffon doux imbibé d'un peu d'eau ou d'alcool.</p> <p>* Désinfection avec une solution chimique autorisée.</p> <p>* Possibilité de stérilisation par autoclave</p>
Plaque de polymérisation Support de polymérisation Support en silicone	<p>À nettoyer en principe avec un chiffon doux imbibé d'un peu d'eau ou d'alcool.</p> <p>* Désinfection avec une solution chimique autorisée.</p> <p>* Possibilité de stérilisation par autoclave (des traitements répétés peuvent occasionner une détérioration.)</p>

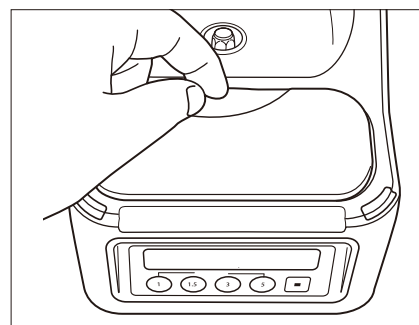
i Remarque

- Nettoyer l'unité avec un chiffon doux imbibé d'un peu d'eau ou d'alcool. N'utilisez pas de solvant organique (diluant, essence, etc.)
- L'unité risque de blanchir aux endroits à l'endroit où le solvant organique a été appliqué. Essuyez immédiatement tout solvant de ce type.

6.2.2 Méthode de dépose/pose du couvre-interrupteur du mode par étape

< Méthode de dépose >

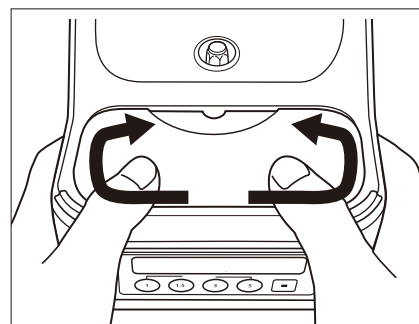
Une fois le plateau tournant enlevé, retirez la protection en saisissant les encoches avec vos doigts.



< Méthode de pose >

Alignez l'ergot du couvre-interrupteur du mode par étape sur l'orifice de la plaque de l'interrupteur du mode par étape et insérez-le dans l'orifice.

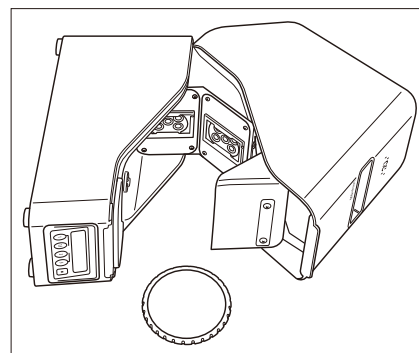
* Il est plus simple de parcourir la circonférence de la plaque avec l'ergot pour le pousser dans l'orifice.



6.2.3 Méthode de remplacement de la protection de la lentille

< Préparation >

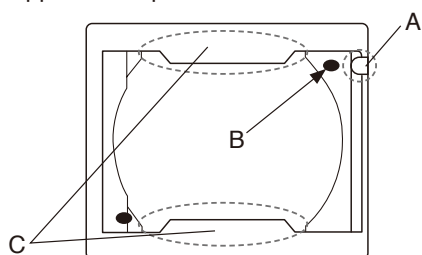
- 1) Mettez l'appareil hors tension et retirez l'adaptateur CA.
- 2) Enlevez le plateau tournant et posez le boîtier principal latéralement.



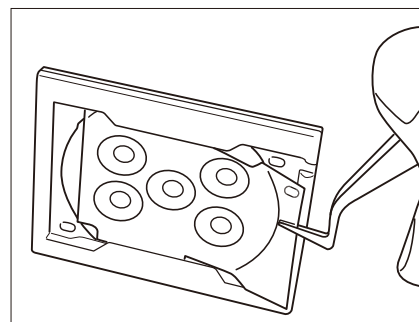
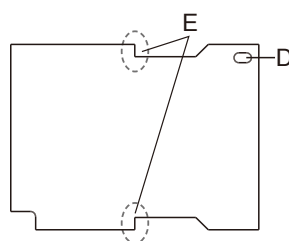
< Méthode de dépose >

- 3) Insérez votre ongle ou une pince dans l'espace [A] entre le support et la protection de la lentille à travers le creux du support, et glissez ensuite la protection vers le creux [A].

Support de la protection de la lentille

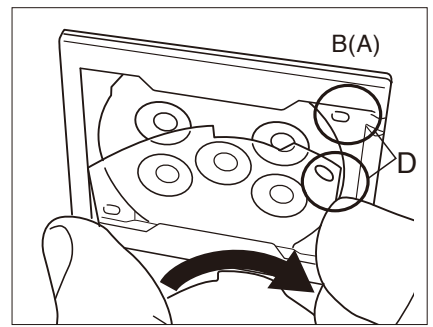


Protection de la lentille

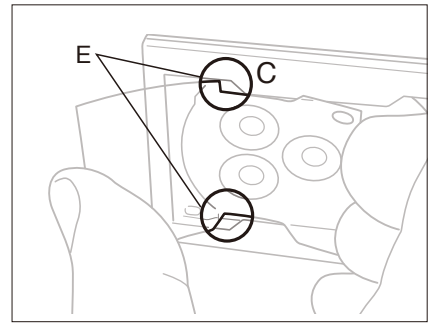


< Méthode de pose >

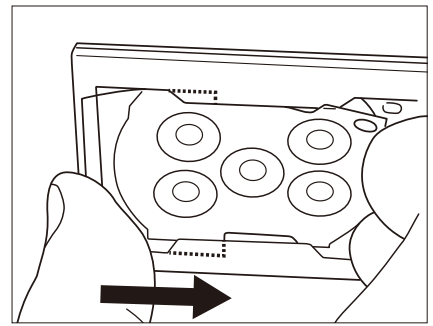
4) Les surfaces avant et arrière de la protection de la lentille ayant des profils différents, assurez-vous que l'orientation est correcte : le trou de la protection de la lentille [D] doit être aligné sur l'ergot du support de la protection de la lentille près du creux [B(A)].



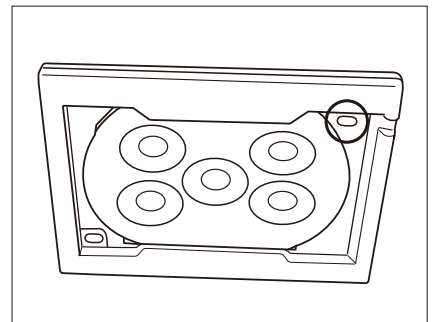
5) En pliant légèrement la protection de la lentille vers l'extérieur, insérez l'encoche (à angle droit) de la protection de la lentille [E] dans le l'aillette du support de la lentille [C].



6) Faites glisser la protection de la lentille.



7) Vérifiez que les ergots du support de la protection de la lentille [B] entrent dans l'encoches de la protection de la lentille [D].



7. Dépannage

Avant de demander une réparation de ce que vous considérez être une défaillance, procédez aux vérifications ci-dessous. Si aucun des symptômes évoqués ne correspond, contactez votre distributeur, notre division ou notre service des ventes.

Symptômes		Causes	Mesures
L'activation de l'interrupteur principal n'entraîne pas une mise sous tension (aucune indication n'est affichée).		Câbles débranchés	Vérifier le boîtier principal, l'adaptateur CA, le câble d'alimentation et la prise secteur afin de repérer toute mauvais raccordement.
		Utiliser un câble d'alimentation et un adaptateur CA différents.	S'assurer de l'utilisation du câble d'alimentation et de l'adaptateur CA fournis.
		Adaptateur CA ou câble d'alimentation défectueux	L'adaptateur CA et/ou le câble d'alimentation doivent être remplacés. Contacter votre distributeur, notre division ou notre service des ventes.
		Fusible défectueux	Le fusible installé à l'intérieur de l'unité doit être remplacé. Contacter votre distributeur, notre division ou notre service des ventes.
Aucun faisceau lumineux en mode par étape.	L'indicateur de surchauffe est allumé.	Arrêt temporaire dû à une surchauffe d'une/des LED.	Laissez les LED refroidir avant de redémarrer. Si ce problème est fréquent, contacter votre distributeur, notre division ou notre service des ventes.
	L'indicateur de la porte ouverte ne s'allume pas.	Mauvais fonctionnement ou défaillance du capteur de détection de l'ouverture/fermeture de la porte.	Ouvrez grand la porte et vérifiez à nouveau.
	L'affichage est normal mais les LED de la rangée supérieure ne s'allument pas.	Défaillance ou déconnexion des LED.	L'unité LED doit être remplacée. Contacter votre distributeur, notre division ou notre service des ventes. Consulter le chapitre 6 pour la méthode de contrôle des LED.
Aucun faisceau lumineux en mode pleine puissance.	L'indicateur de surchauffe est allumé et la durée restante clignote à l'écran.	Arrêt temporaire dû à une surchauffe d'une/des LED. (Irradiation interrompue temporairement.)	Laissez les LED refroidir avant de redémarrer. Si ce problème est fréquent, contacter votre distributeur, notre division ou notre service des ventes.
	L'indicateur de surchauffe est allumé et « Fin » est affiché à l'écran.	Arrêt temporaire dû à une surchauffe d'une/des LED. (Irradiation terminée.)	Laissez les LED refroidir avant de redémarrer. Si ce problème est fréquent, contacter votre distributeur, notre division ou notre service des ventes.
	L'affichage est normal mais les LED ne s'allument pas.	Défaillance ou déconnexion des LED.	L'unité LED doit être remplacée. Contacter votre distributeur, notre division ou notre service des ventes. Consulter le chapitre 6 pour la méthode de contrôle des LED.
Lumière excessivement faible en mode pleine puissance ou polymérisation moins efficace.	Le témoin de porte est allumé lors du lancement de l'irradiation en mode pleine puissance et aucun décompte de la durée paramétrée n'est enclenché.	Arrêt temporaire dû à la porte ouverte.	Vérifier la porte pour voir si rien n'est coincé dans le jeu de la porte. Fermer complètement la porte avant toute utilisation.

Symptômes		Causes	Mesures
Lumière excessivement faible en mode pleine puissance ou polymérisation moins efficace.	L'affichage est normal et toutes les LED sont allumées.	Saleté ou rayures des composants optiques.	L'intensité lumineuse peut être réduite en cas de saleté ou de rayures des composants optiques. Nettoyer l'intérieur de la chambre de polymérisation et la protection de la lentille, ou remplacer la protection au besoin (voir chapitre 6).
	L'affichage est normal mais aucune LED n'est allumée.	Défaillance ou déconnexion des LED.	L'unité LED doit être remplacée. Contacter votre distributeur, notre division ou notre service des ventes. Consulter le chapitre 6 pour la méthode de contrôle des LED.
Aucune rotation du plateau tournant.		Rotation impossible du plateau tournant	Enlever le plateau tournant et vérifier si un corps étranger ne s'est pas introduit dans la surface arrière ou l'axe.
Aucune rotation du plateau tournant.		Défaillance du moteur du plateau tournant.	Le moteur doit être remplacé. Contacter votre distributeur, notre division ou notre service des ventes.
Une erreur est générée et aucune opération n'est possible (témoin d'erreur allumé).	« E01 » affiché à l'écran.	Capteur de température défectueux.	L'unité peut avoir détecté une température excessivement élevée ou basse. Le capteur thermique peut également être défectueux. Arrêter immédiatement d'utiliser l'unité et la contrôler afin de repérer toute anomalie. Utiliser l'unité dans une plage de températures de 10 à 40 °C. Si le problème persiste même après avoir actionné l'interrupteur principal en position activation en présence de températures normales, contacter votre distributeur, notre division ou notre service des ventes.
	« E02 » affiché à l'écran.	Déconnexion des LED de la rangée inférieure ou défaillance probable du capteur de température.	Notification d'une erreur une fois l'irradiation terminée en raison de la détection d'une température anormale des LED de la rangée supérieure pendant l'irradiation en mode pleine puissance. Contrôler les LED de la rangée supérieure lorsque cette erreur est générée (voir chapitre 6). L'erreur est réinitialisée en remplaçant l'interrupteur principal en position activation.
	« E03 » affiché à l'écran.	L'interrupteur du mode par étape reste enclenché.	Un corps étranger (de la saleté par exemple) peut en être la cause. Nettoyer l'interrupteur (voir chapitre 6). La désactivation de l'interrupteur déclenche l'erreur.
	« E04 » affiché à l'écran.	Défaillance ou déconnexion de la LED violette de l'unité LED supérieure.	L'erreur est réinitialisée en remplaçant l'interrupteur principal en position activation. Si la même erreur survient à chaque utilisation du mode pleine puissance/par étape, l'unité LED doit être remplacée. Contacter votre distributeur, notre division ou notre service des ventes.
	« E05 » affiché à l'écran.	Défaillance ou déconnexion de la LED violette de l'unité LED du milieu.	L'erreur est réinitialisée en remplaçant l'interrupteur principal en position activation. Si la même erreur survient à chaque utilisation du mode pleine puissance, l'unité LED doit être remplacée.
	« E06 » affiché à l'écran.	Défaillance ou déconnexion de la LED violette dans l'unité LED inférieure.	Contactez votre distributeur, notre division ou notre service des ventes.

*Tout symptôme autre que ceux précités peut indiquer une défaillance du produit ; contactez donc votre revendeur, notre division ou notre service des ventes.

Remarque :

- La défaillance d'une unité LED n'empêche pas les autres d'émettre un faisceau lumineux. Toutefois, en raison de la diminution de la quantité totale de lumière, la durée de polymérisation doit être augmentée et l'état de la polymérisation doit être surveillé. La LED défectueuse doit être réparée sans tarder.

AVERTISSEMENT

■ Ne jamais démonter ou modifier l'unité. Cela pourrait entraîner une production de chaleur, un incendie ou la rupture de l'unité.

ATTENTION

- Si l'unité est défectueuse ou endommagée, cessez immédiatement de l'utiliser, mettez-la hors tension et retirez le câble d'alimentation.
- N'essayez pas de réparer une unité défectueuse. Faites appel à un expert après lui avoir décrit correctement le problème.

8. Garantie et réparations

Nous accordons le plus grand soin à la fabrication et à la qualité de notre produit. Toutefois, en cas de défaillance de votre unité au cours de la période de garantie, nous la réparerons gratuitement dans les limites stipulées par cette dernière. Contactez votre distributeur, notre division ou notre service des ventes au besoin.

En tant que fabricant, nous déclinons toute responsabilité en cas d'incident tel qu'un endommagement résultant d'une utilisation non conforme aux instructions comprises dans le présent mode d'emploi.

La période de garantie de l'unité est telle qu'indiquée ci-dessous. Par ailleurs, les consommables (voir la liste ci-dessous) ne sont pas couverts par la garantie.

Période de garantie : 1 an

Remarque

- Il est formellement interdit d'ouvrir, de démonter ou de modifier l'unité, voire d'utiliser le dispositif d'une manière non conforme aux présentes instructions.

< Liste des consommables >

Description	Code
Porte-support de polymérisation (x1)	009139
Plaque de polymérisation (x1)	009140
Support de polymérisation (x1)	009141
Support en silicone pour dent antérieure (x1)	009142
Support en silicone pour dent postérieure (x1)	009143
Support métallique (x1)	009144
Clip (x1)	009145
Protection de la lentille (x3)	009146
Couvre-interrupteur du mode par étape (x1)	009147
Plateau tournant (x1)	009148
Plateau (x1)	009149
Kit du support de polymérisation (Porte-support de polymérisation x2, plaque de polymérisation x1, support de polymérisation x1, support en silicone pour dent antérieure x4, support en silicone pour dent postérieure x3, support métallique x4, clip x1)	009138

Remarque

- Utilisez uniquement les pièces et les accessoires d'origine. L'utilisation de pièces et d'accessoires autres que ceux d'origine mettra fin à la garantie et exonèrera le fabricant de toute responsabilité.

9. Mise au rebut

Sur votre produit est apposé le symbole correspondant à un recyclage/une mise au rebut dans le respect de l'environnement. Ne le jetez pas avec les déchets ménagers. Sachez que ce produit est soumis à la directive européenne 2012/19/UE /19/CE (DEEE) et à la législation applicable dans votre pays pour un recyclage/une mise au rebut dans le respect de l'environnement. Veuillez consulter GC Europe ou votre distributeur GC afin de déterminer quand et où mettre votre produit au rebut.



10. Spécifications

Nom/Modèle		Labolight DUO
Source lumineuse	Nombre de sources lumineuses	LED bleues : 12 (4 x 3 unités) LED violettes : 3 (1 x 3 unités)
	Longueur d'onde maximale	LED bleues : 465 nm-485 nm LED violettes : 390 nm-400 nm
	Longueur d'onde	380 nm - 510 nm (Typique)
Alimentation électrique	Entrée de l'adaptateur de courant alternatif	100-240 V CA , 50-60 Hz , 1,2A MAX
	Sortie de l'adaptateur de courant alternatif	24V CC à 3,75A
	Entrée du boîtier principal	24V CC (+/- 5 %), 60 VA
Dimensions	Porte fermée	Largeur 159 mm x Profondeur 290 mm x Hauteur 297 mm
	Porte ouverte	Largeur 159 mm x Profondeur 307mm x Hauteur 418mm
Poids		Boîtier : 5,3 kg (sans le « kit du support de polymérisation ») Adapter secteur : 0,4 kg Câble d'alimentation : 0,2 kg
Conditions d'utilisation ambiantes		Exclusivement pour un usage en intérieur
		Température 10 - 40 °C
		Humidité relative : HR 30 %-75 %
		Altitude jusqu'à 2000 m ou Pression barométrique 700 hPa-1060 hPa
		Catégorie d'installation (catégorie Surtension) II
Conditions ambiantes de transport et de stockage		Variation de la tension de l'alimentation électrique +/- 10 %
		Degré de pollution 2
		Température -10 - 50 °C
		Humidité relative : HR 30 %-75 %
		Altitude jusqu'à 2000 m ou Pression barométrique 700 hPa-1060 hPa

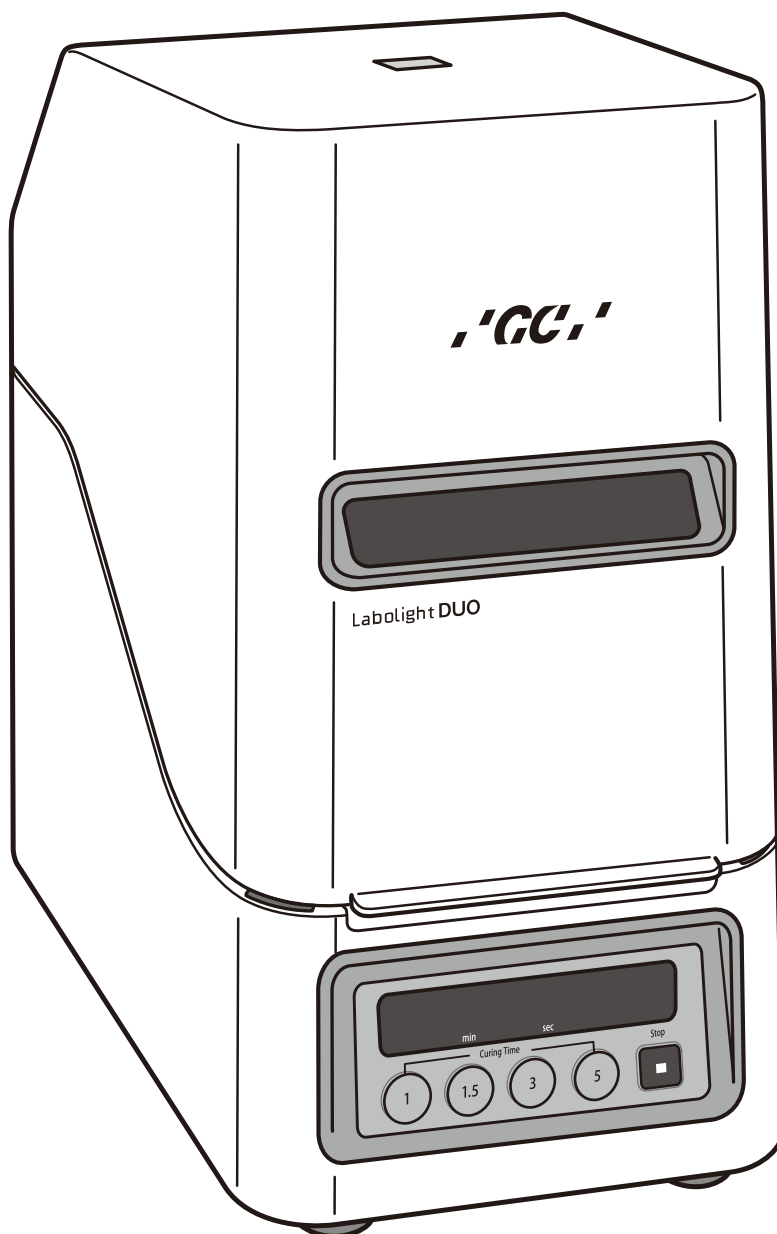
* Les spécifications du produit peuvent être modifiées sans notification préalable en vue d'une amélioration du produit.

Labolight DUO

LAMPADA LED A FOTO-POLIMERIZZAZIONE DUALE PER RESINE COMPOSITE DA RESTAURO INDIRECTO

Prima dell'uso, leggere attentamente le istruzioni per l'uso.

Istruzioni per l'uso



IT

GC

Indice

1. Introduzione	IT 4
1.1 Uso previsto	IT 4
1.2 Caratteristiche	IT 4
1.3 Simboli	IT 4
2. Utilizzo sicuro dell'unità	IT 6
3. Descrizione del prodotto	IT 8
3.1 Contenuto della confezione	IT 8
3.2 Nomi e funzioni dei componenti	IT 9
3.2.1 Corpo principale	IT 9
3.2.2 Quadro di controllo	IT 10
3.2.3 Adattatore CA e cavo di alimentazione	IT 11
3.2.4 Targhetta/Etichetta delle avvertenze	IT 11
4. Metodo di installazione	IT 12
4.1 Trasporto	IT 12
4.2 Estrazione dalla confezione	IT 12
4.3 Installazione	IT 12
4.4 Montaggio	IT 13
4.5 Messa in funzione e controllo	IT 13
4.6 Spegnimento e conservazione	IT 15
5. Metodo di utilizzo	IT 15
5.1 Metodo di utilizzo di base	IT 15
5.2 Modalità passo passo	IT 17
5.3 Modalità completa	IT 18
5.4 Metodo di utilizzo del set di supporti per la polimerizzazione	IT 20
6. Manutenzione	IT 21
6.1 Controllo	IT 21
6.2 Pulitura e sostituzione dei componenti	IT 21
6.2.1 Metodo di pulitura dei pezzi	IT 22
6.2.2 Metodo di rimozione/rimontaggio del coperchio dell'interruttore della modalità passo passo	IT 23
6.2.3 Metodo di sostituzione del coperchio della lente	IT 23
7. Risoluzione dei problemi	IT 24
8. Garanzia e riparazione	IT 27
9. Smaltimento	IT 28
10. Specifiche	IT 28



DICHIARAZIONE DI CONFORMITÀ CE

Ai sensi della direttiva macchine 2006/45/CE

19 giugno 2015

**GC EUROPE N.V.
Research Park
Interleuvenlaan 33
B-3001 Leuven
Belgio**

Garantiamo e dichiariamo, sotto la nostra unica responsabilità, che il prodotto:

Nome/modello : Labolight DUO

Al quale pertiene la presente dichiarazione è conforme alle disposizioni della Direttiva del Consiglio

**2006/42/CE relativa alle macchine
2014/30/UE relativa alla compatibilità elettromagnetica e
2014/35/UE relativa alla bassa tensione**

ed è conforme ai seguenti standard o documenti normativi:

- | | |
|------------------|--|
| IEC 61326-1:2012 | Apparecchi elettrici di misura, controllo e per utilizzo in laboratorio —
Prescrizioni di compatibilità elettromagnetica — Parte 1: Prescrizioni generali |
| IEC 61010-1:2010 | Prescrizioni di sicurezza per apparecchi elettrici di misura, controllo e per
utilizzo in laboratorio — Parte 1: Prescrizioni generali |
| IEC 62471:2006 | Sicurezza fotobiologica delle lampade e sistemi di lampade |

Ed è prodotto conformemente alla documentazione tecnica.

Lovanio, 19/06/2015.....

Data

[Firma]

M. Aydin
Responsabile Quality Assurance
e questioni normative
Per conto di GC Europe N.V.



GC Europe Head Office
Interleuvenlaan 33
B-3001 Leuven

1. Introduzione

Grazie per aver scelto di acquistare Labolight DUO.



Nota

– Per utilizzare l'unità in modo corretto e sicuro, attenersi alle presenti istruzioni. Conservare le presenti istruzioni per l'uso in un punto di facile accesso.



AVVISO

■ Osservare la descrizione riportata nelle istruzioni per l'uso per garantire la sicurezza dell'utente e un utilizzo corretto dell'unità. Se l'unità non viene utilizzata conformemente alle istruzioni, la protezione offerta dall'unità potrebbe risentirne.

Come produttore, non ci assumiamo alcuna responsabilità per i danni causati da utilizzi incompatibili con la presente unità o non conformi alle presenti istruzioni.

1.1 Uso previsto

L'unità viene utilizzata per la fotopolimerizzazione di compositi dentali.



AVVISO

■ L'uso dell'unità è consentito soltanto a personale qualificato per le cure dentali.



Nota

● Utilizzare Labolight DUO unicamente per compositi dentali, dato che essenzialmente è progettato per questa finalità.





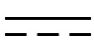
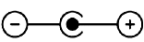
1.2 Caratteristiche

- 1) Labolight DUO è un fotopolimerizzatore per operatori professionisti basato sui LED come sorgente luminosa.
- 2) Labolight DUO è provvista di 12 LED blu e 3 LED viola, che permettono di fotopolimerizzare qualsiasi prodotto composito di GC.
- 3) Labolight DUO consente la polimerizzazione preliminare con lo sportello aperto (modalità passo a passo).

1.3 Simboli











I simboli riportati sull'unità hanno i seguenti significati:

Simboli	Posizione	Significato
	Etichetta delle avvertenze	Controllare le istruzioni per l'uso.
	Etichetta delle avvertenze	ATTENZIONE: radiazioni visibili Il prodotto emette radiazioni ottiche potenzialmente pericolose. Non tenere lo sguardo fisso sulla lampada in funzione per non danneggiare gli occhi.
	Etichetta delle avvertenze	AVVISO: raggi ultravioletti Questo prodotto emette raggi UV. Ridurre l'esposizione di occhi o pelle. Utilizzare schermature appropriate.

Simboli	Posizione	Significato
	Unità LED	ATTENZIONE: la superficie potrebbe essere rovente. ■ Per un abbondante lasso di tempo dopo avere utilizzato l'unità, non toccare l'unità LED e la zona circostante per non rischiare di ustionarsi.
	Interruttore principale	ACCESO (alimentazione)
	Interruttore principale	SPENTO (alimentazione)
	Alimentatore CA	Corrente alternata
	Targhetta Alimentatore CA	Corrente diretta
	Targhetta Alimentatore CA	Polarità della presa di alimentazione CC

* Vedere il Capitolo 3 per i nomi delle parti corrispondenti.

I simboli riportati nelle presenti istruzioni hanno i seguenti significati:

Simboli	Significato
	AVVISO: - Quando si utilizza l'unità, rispettare gli avvisi per non rischiare danni materiali o personali. ATTENZIONE: - Quando si utilizza l'unità, rispettare gli avvisi per non rischiare danni materiali o lesioni di minore entità.
	ATTENZIONE: radiazioni visibili Il prodotto emette radiazioni ottiche potenzialmente pericolose. Non tenere lo sguardo fisso sulla lampada in funzione per non danneggiare gli occhi.
	AVVISO: raggi ultravioletti Questo prodotto emette raggi UV. Ridurre l'esposizione di occhi o pelle. Utilizzare schermature appropriate.
	ATTENZIONE: la superficie potrebbe essere rovente.
	ATTENZIONE: rischio di folgorazione.
	Divieto
	Note: informazioni importanti e note per l'utilizzo dell'unità
	Controllare le istruzioni per l'uso.
	Staccare la presa di corrente dalla presa elettrica.
	Collegare a terra un contatto di terra.

2. Utilizzo sicuro dell'unità

Per utilizzare l'unità in modo sicuro, rispettare le seguenti avvertenze e precauzioni.

AVVISO

- L'uso dell'unità è consentito soltanto a personale qualificato per le cure dentali.
- Vietare l'utilizzo dell'unità al personale fotosensibile, ad esempio coloro che sono allergici alla luce. Fare inoltre attenzione a non dirigere la luce irradiata verso persone fotosensibili, come le persone allergiche alla luce.
- L'unità non deve essere utilizzata da personale portatore di pacemaker, per non compromettere il funzionamento del pacemaker.
- Se si ripara una protesi estratta dalla cavità orale di un paziente, prima di inserirla nell'unità è necessario disinfettarla per non causare infezioni. Se si utilizza un disinfettante infiammabile (ad es. a base di alcool isopropilico), sussiste il rischio di ignizione/esplosione se la lampada viene accesa quando c'è vapore nella camera.
- Non smontare né modificare l'unità, per evitare la generazione di calore, ignizione o spaccature.
- Osservare la descrizione riportata nelle istruzioni per l'uso per garantire la sicurezza dell'utente e un utilizzo corretto dell'unità. Se l'unità non viene utilizzata conformemente alle istruzioni, la protezione offerta dall'unità potrebbe risentirne.

GRUPPO DI RISCHI 2 (IEC 62471)

ATTENZIONE

Il prodotto emette radiazioni ottiche potenzialmente pericolose.
Non tenere lo sguardo fisso sulla lampada in funzione per non danneggiare gli occhi.

- Non fissare direttamente la luce irradiata, altrimenti si rischia di danneggiare gli occhi.
- Non guardare fisso nell'unità per controllare la luce irradiata in modalità passo passo, altrimenti si rischia di danneggiare gli occhi.
- Evitare di guardare continuamente le luci riflesse facendo delle pause quando si lavora sull'unità in modalità passo passo per un periodo abbastanza prolungato. Si potrebbero altrimenti avvertire disagi.
- Non guardare a lungo in modo continuativo nella camera fotopolimerizzatrice attraverso la finestra in modalità completa. Si potrebbero altrimenti avvertire disagi.
- Se si utilizza il fotopolimerizzatore a lungo o se si soffre di fotosensibilità, di cataratta o di retina danneggiata, indossare apparecchiature di protezione idonee, come occhiali che riducono la luce con lunghezza d'onda massima di 500 nm.
- Non irradiare luce verso un oggetto a una distanza dalla sorgente luminosa inferiore a quella consigliata. L'oggetto altrimenti si potrebbe surriscaldare.

AVVISO

Questo prodotto emette raggi UV.
Ridurre l'esposizione di occhi o pelle. Utilizzare schermature appropriate.

- Non avvicinare le mani alla sorgente luminosa irradiante per non rischiare di ustionarsi.
- Quando si irradia una protesi in modalità passo passo, evitare il più possibile di mettere le mani tra la sorgente di luce e il piattello rotante, utilizzando ad esempio un morsetto. Un uso prolungato potrebbe altrimenti provocare l'abbronzatura.

ATTENZIONE

- Per un abbondante lasso di tempo dopo avere utilizzato l'unità, non toccare l'unità LED e la zona circostante per non rischiare di ustionarsi.
- Dopo un uso prolungato, attendere che la temperatura dell'unità si sia abbassata a sufficienza prima di svolgere interventi di manutenzione.

ATTENZIONE

< Generale >

- Verificare la stabilità dell'unità controllandone ad esempio l'inclinazione, le vibrazioni e l'impatto.
- Se l'unità si guasta o viene danneggiata, smettere subito di utilizzarla, spegnere l'interruttore principale ed estrarre la presa di corrente.
- Non cercare di riparare da soli l'unità guasta, ma chiedere a un esperto di farlo dopo avere fornito le indicazioni appropriate.
- Non utilizzare l'unità con le mani umide, altrimenti l'unità potrebbe guastarsi.
- Non schizzare sull'unità acqua né altri liquidi.
- Non utilizzare liquidi o polveri metalliche nella camera di polimerizzazione. Se nella camera penetrano accidentalmente liquidi o materiali pericolosi, smettere di utilizzare l'unità e richiedere la riparazione.

< Installazione, montaggio e conservazione >

- Non installare l'unità in un luogo in cui siano conservate sostanze chimiche o vengano generati gas.
- Non mettere oggetti infiammabili vicino al corpo principale, per evitare il rischio di un incendio.
- Non mettere apparecchiature sensibili alla luce o al calore nei pressi dell'unità.
- Prestare attenzione alla frequenza, tensione e corrente consentita (o assorbimento energetico) della sorgente di alimentazione.
- Utilizzare il cavo di alimentazione dedicato e l'alimentatore CA.

< Utilizzo >

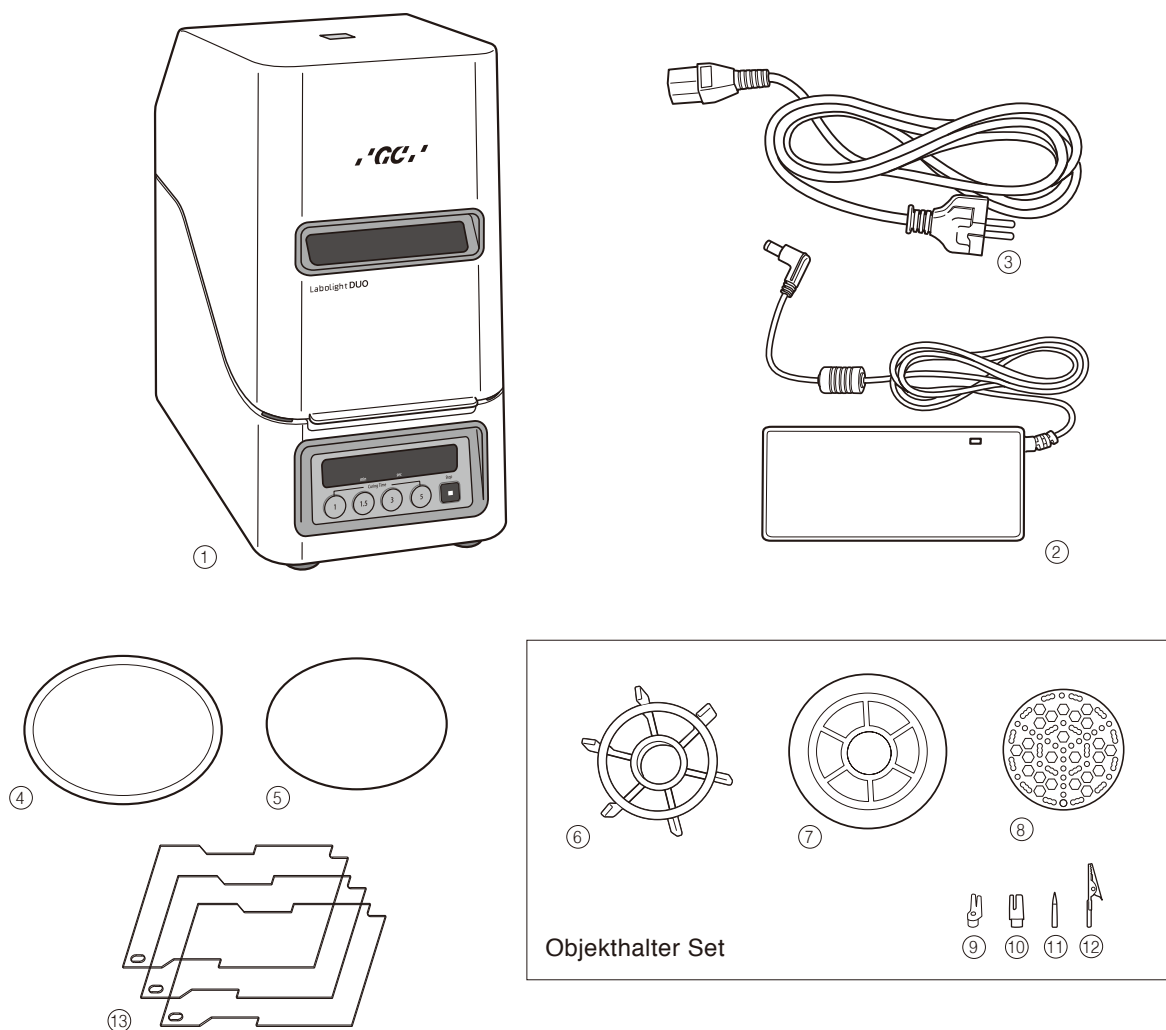
- Non aprire/chiedere lo sportello in modo repentino, altrimenti si rischia di danneggiare lo sportello o l'oggetto all'interno della camera di polimerizzazione.
- Quando si apre/chiede lo sportello, evitare di infilare le mani o parti del corpo o dell'oggetto sotto lo sportello o nel buco. Si rischiano altrimenti danni personali o materiali.
- Non toccare il piattello rotante, per evitare di restare impigliati con le dita o di danneggiare il piattello.
- Se il piattello rotante resta impigliato, arrestarne la rotazione premendo l'interruttore di arresto o spegnendo l'interruttore principale prima di estrarre l'oggetto impigliato.
- Rimuovere lo sporco dal coperchio della lente o sostituire il coperchio sporco. La parte contaminata altrimenti si surriscalda e rischia di deformare o sciogliere il coperchio.
- Mettere un oggetto da polimerizzare con la superficie da polimerizzare davanti alla sorgente luminosa.
- Regolare la durata della polimerizzazione in base al materiale utilizzato.
- Al termine, controllare che il materiale sia stato polimerizzato perfettamente. In caso di polimerizzazione insufficiente, irradiare altra luce.
- Non tenere direttamente in mano e polimerizzare un composito in modalità passo passo. Il composito rovente potrebbe essere ustionante.
- Non rimuovere direttamente con le mani un composito subito dopo la polimerizzazione in modalità completa.
Il composito rovente potrebbe essere ustionante.

< Manutenzione >

- Controllare regolarmente le apparecchiature e i componenti.
- Pulire regolarmente la camera di polimerizzazione: se è sporca non è garantito un funzionamento ottimale. Se si utilizza un disinfettante infiammabile (ad es. a base di alcool isopropilico), sussiste il rischio di ignizione/esplosione se la lampada viene accesa quando c'è vapore nella camera.
- Sostituire regolarmente il coperchio della lente. Il passare del tempo e lo sporco possono comprometterne il funzionamento.
- Se l'unità viene utilizzata senza che sia montato il coperchio della lente, una protezione insufficiente può compromettere il funzionamento della lente. Tenere montato il coperchio quando si utilizza l'unità.

3. Descrizione del prodotto

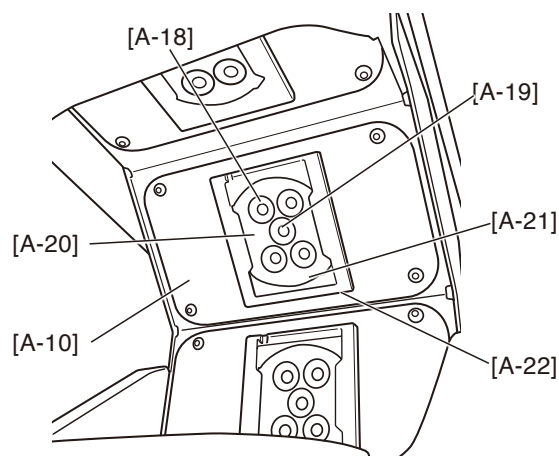
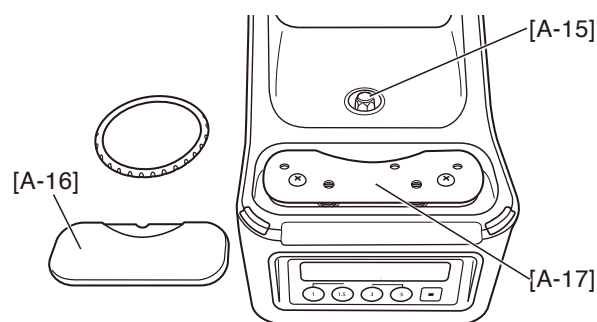
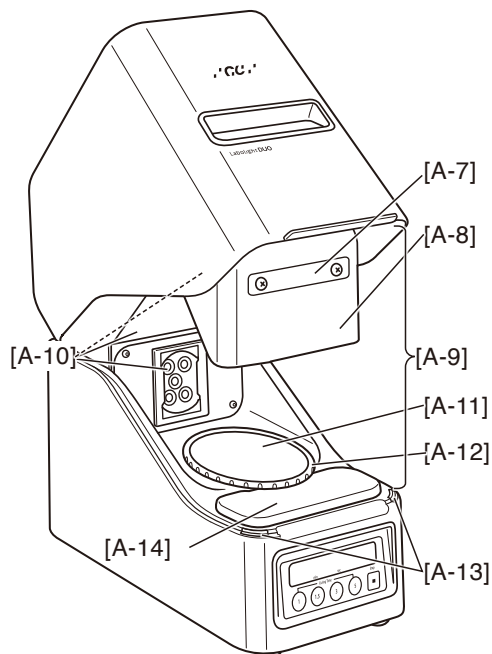
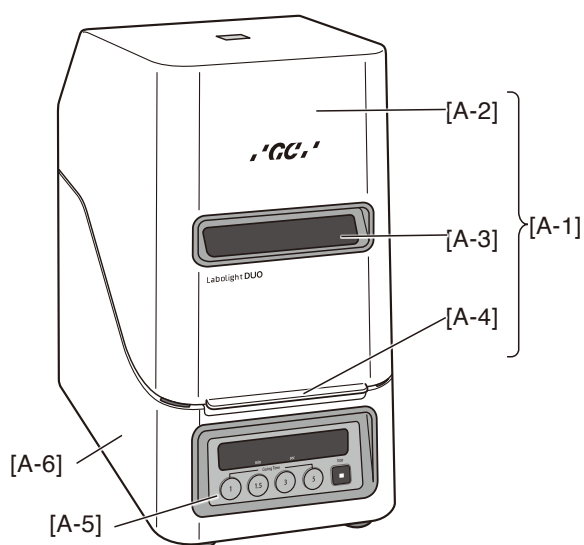
3.1 Contenuto della confezione



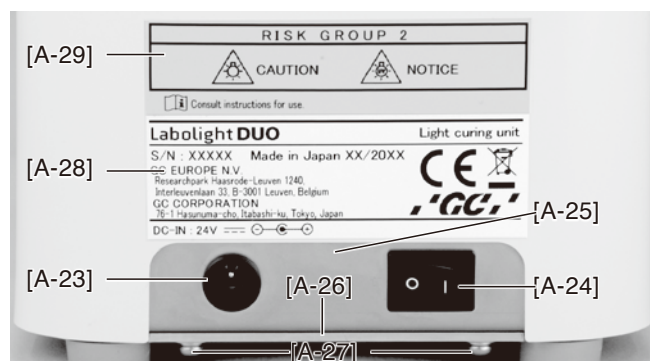
N.	Contenuto	Quantità	
①	Labolight DUO, corpo principale	1	
②	Alimentatore CA	1	
③	Cavo di alimentazione	1	
④	Piattello rotante	1	
⑤	Vassoio	1	
⑥	Set di supporti per il polimerizzatore	Portasupporto per il polimerizzatore	2
⑦		Piastra di polimerizzazione	1
⑧		Supporto per il polimerizzatore	1
⑨		Montante in silicone anteriore	4
⑩		Montante in silicone posteriore	3
⑪		Montante in metallo	4
⑫		Morsetto	1
⑬	Coperchio della lente (ricambi/confezione da 3)	1	
	Istruzioni per l'uso	1	

3.2 Nomi e funzioni dei componenti

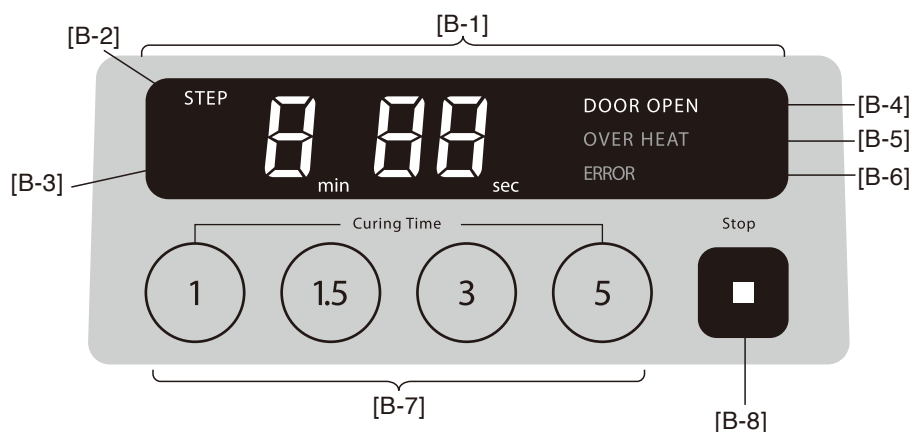
3.2.1 Corpo principale







N.	Nome
[A-1]	Sportello
[A-2]	Alloggiamento superiore
[A-3]	Finestra
[A-4]	Maniglia
[A-5]	Quadro di controllo
[A-6]	Alloggiamento inferiore
[A-7]	Targhetta fissaggio visore
[A-8]	Visore
[A-9]	Camera di polimerizzazione
[A-10]	Unità LED (superiore/centrale/inferiore)
[A-11]	Vassoio
[A-12]	Piattello rotante
[A-13]	Imbottitura sportello (tampone)
[A-14]	Interruttore della modalità passo passo
[A-15]	Asse piattello rotante
[A-16]	Coprinterruttore modalità passo passo
[A-17]	Targhetta interruttore modalità passo passo
[A-18]	LED blu (4 lampade disposte circolarmente su ogni unità)
[A-19]	LED viola (1 lampada al centro di ogni unità)
[A-20]	Lente
[A-21]	Coperchio della lente
[A-22]	Portacoperchio della lente
[A-23]	Presenza di alimentazione
[A-24]	Interruttore principale
[A-25]	Sostegno interruttore principale (targhetta posteriore)
[A-26]	Targhetta di base
[A-27]	Piedino in gomma
[A-28]	Targhetta
[A-29]	Etichetta delle avvertenze



3.2.2 Quadro di controllo

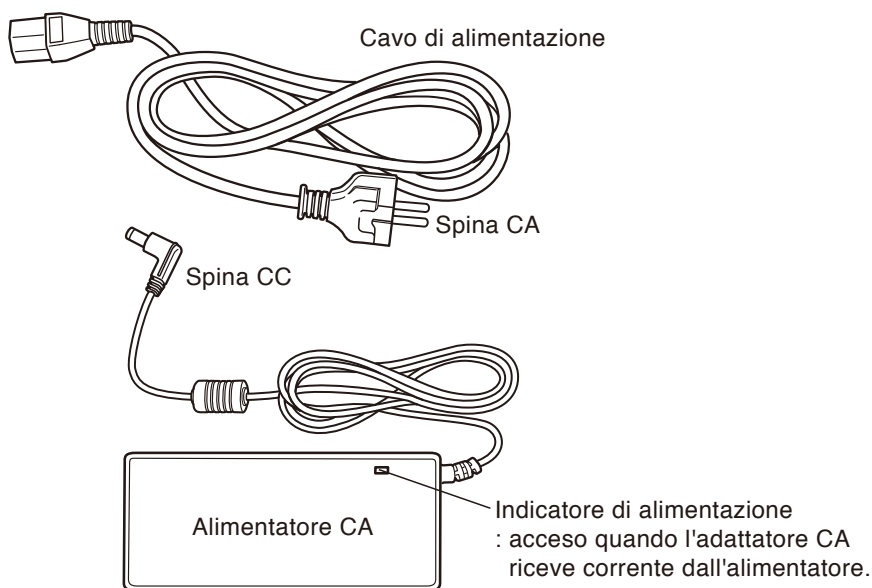


N.	Nome	Funzione
[B-1]	Display	Mostra lo stato dei vari dispositivi.
[B-2]	Indicatore modalità passo passo	Acceso durante l'irradiazione in modalità passo passo.
[B-3]	Indicazione tempo	<ul style="list-style-type: none"> – Indica il tempo di irradiazione mancante in modalità passo passo o completa. – L'indicazione del tempo lampeggiante indica una sospensione temporanea. <div style="display: flex; justify-content: space-between;"> <div style="width: 60%;"> <p>Standby con lo sportello aperto (= standby in modalità passo passo)</p> <p>Standby con lo sportello chiuso (= standby in modalità completa)</p> <p>Al termine della modalità completa compare la scritta "Fin".</p> <p>In caso di errore viene visualizzato il numero dell'errore.</p> </div> <div style="width: 35%;">     </div> </div>
[B-4]	Indicatore sportello aperto	Spento: indica che lo sportello è chiuso. Acceso: indica che lo sportello è aperto.
[B-5]	Indicatore di surriscaldamento	Lampeggiante: allarme temperatura – Segnala la temperatura elevata dei LED a causa dell'uso continuativo. – Fare una pausa sufficiente, perché i LED si stanno surriscaldando. Acceso: surriscaldamento – Acceso in caso di interruzione temporanea dell'irradiazione per la temperatura elevata dei LED.
[B-6]	Indicatore errore	Acceso in caso di errore. (Per informazioni sull'errore vedere il capitolo 7 "Risoluzione dei problemi".)
[B-7]	Tasto durata polimerizzazione (1/1.5/3/5)	Premendolo si avvia l'irradiazione in modalità completa. L'irradiazione dura rispettivamente 1, 1,5, 3 e 5 minuti. Pressioni successive dei pulsanti prolungano la durata, fino a un massimo di 10 minuti di irradiazione continua.
[B-8]	Tasto Stop	Premerlo per arrestare l'irradiazione in modalità passo passo o completa o per azzerare una sospensione temporanea.

Altra unità operativa

[A-13]	Interruttore della modalità passo passo	Premendolo si avvia l'irradiazione per 10 secondi in modalità passo passo. Pressioni successive dei pulsanti prolungano la durata, fino a un massimo di 30 secondi di irradiazione continua.
--------	---	---



3.2.3 Adattatore CA e cavo di alimentazione






3.2.4 Targhetta/Etichetta delle avvertenze

< Targhetta del corpo principale >

Labolight DUO	Light curing unit
S/N : XXXXX Made in Japan XX/20XX	 
GC EUROPE N.V. Researchpark Haasrode-Leuven 1240, Interleuvenlaan 33, B-3001 Leuven, Belgium	
GC CORPORATION 76-1 Hasunuma-cho, Itabashi-ku, Tokyo, Japan	
DC-IN : 24V	

Labolight DUO	Light curing unit
S/N : XXXXX Made in Japan XX/20XX	 
GC AMERICA INC. 3737 West 127th Street, Alsip, Illinois 60803 U.S.A.	
GC CORPORATION 76-1 Hasunuma-cho, Itabashi-ku, Tokyo, Japan	
DC-IN : 24V	

< Etichetta delle avvertenze del corpo principale >

RISK GROUP 2	
 CAUTION	 NOTICE
 Consult instructions for use.	

4. Metodo di installazione

4.1 Trasporto

Nota

- Evitare che l'unità subisca urti mettendola in piano durante il trasporto.
- Utilizzare materiale di imballaggio apposito.

Per lo smaltimento e il riciclaggio sicuro dell'imballaggio, assicurarsi che il materiale di imballaggio venga smaltito correttamente in base alle norme sullo smaltimento dei rifiuti.

4.2 Estrazione dalla confezione

Prima di procedere all'installazione e al montaggio, verificare che tutti i componenti siano stati consegnati (v. paragrafo 3.1 "Contenuto della confezione"). Controllare inoltre che l'unità non abbia subito danni durante il trasporto.

Se si nota che alcuni componenti mancano o sono danneggiati, rivolgersi al proprio rivenditore o a GC.

4.3 Installazione

1) Installare l'unità adottando i seguenti accorgimenti:

- Posizionare l'unità su un banco o una piattaforma uniforme e resistente al fuoco.
- Per l'umidità, la temperatura e la pressione nell'ambiente di utilizzo, consultare il capitolo 9 "Specifiche".
- Per le dimensioni e il peso dell'unità consultare il capitolo 9 "Specifiche".

Area di installazione: circa 200mm × 350mm

ATTENZIONE

- Non installare l'unità in un luogo in cui siano conservate sostanze chimiche o vengano generati gas.
- Non mettere oggetti infiammabili vicino al corpo principale, per evitare il rischio di un incendio.
- Non mettere apparecchiature sensibili alla luce o al calore nei pressi dell'unità.

ATTENZIONE

- Verificare la stabilità dell'unità controllandone ad esempio l'inclinazione, le vibrazioni e l'impatto.

Nota

- Quando si trasporta il corpo principale, tenerlo dal basso con entrambe le mani con lo sportello chiuso.
- Utilizzare l'unità in ambienti interni.
- Installare il corpo principale su una superficie uniforme.
- Installare l'unità in un punto in cui non subisca gli effetti nocivi dell'esposizione diretta alla luce solare, a polvere, umidità, ad aria contenente sale e zolfo o della vicinanza a un elemento riscaldante.
- Installare l'unità in un punto lontano dagli schizzi d'acqua.
- Installare l'unità in un punto ben areato.

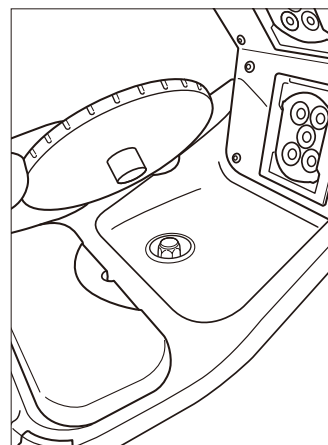
2) Verificare che lo sportello abbia spazio di movimento.

ATTENZIONE

- Quando si apre/chiede lo sportello, evitare di infilare le mani o parti del corpo o dell'oggetto sotto lo sportello o nel buco. Si rischiano altrimenti danni personali o materiali.

4.4 Montaggio

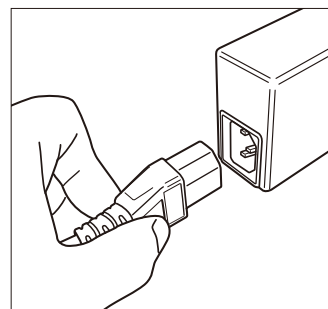
- 1) Tirare lo sportello lentamente e facendolo ruotare verso l'alto tenendo la maniglia.
- 2) Posizionare il piattello rotante in modo che sia allineato all'albero.
*Sono disponibili sei posizioni di allineamento con un intervallo di 60° in cui il piattello rotante può essere premuto fino in fondo. Scegliere una delle sei posizioni.
- 3) Mettere un vassoio sulla cavità nella superficie superiore del piattello rotante.



ATTENZIONE

- Quando si apre/chiude lo sportello, evitare di infilare le mani o parti del corpo o dell'oggetto sotto lo sportello o nel buco. Si rischiano altrimenti danni personali o materiali.

- 4) Collegare il cavo di alimentazione all'alimentatore CA.
- 5) Collegare la spina CC dell'alimentatore CA alla presa di alimentazione sulla superficie posteriore del corpo principale.
- 6) Collegare il cavo di alimentazione alla presa 3P (100-240 CA).
*vedere il capitolo 10 "Specifiche".
- 7) Controllare sull'alimentatore CA che l'indicatore di alimentazione sia acceso.
→ Se non è acceso, ricontrollare i collegamenti.



ATTENZIONE

- Collegare la presa di alimentazione assicurandosi che la messa a terra sia corretta.

ATTENZIONE

- Prestare attenzione alla frequenza, tensione e corrente consentita (o assorbimento energetico) della sorgente di alimentazione.
- Utilizzare il cavo di alimentazione dedicato e l'alimentatore CA.

Nota

- Utilizzare soltanto parti di ricambio e accessori originali. L'utilizzo di parti di ricambio e accessori non originali invalida la garanzia ed esonera GC dalle sue responsabilità.

4.5 Messa in funzione e controllo

- 1) Accendere l'interruttore principale con lo sportello chiuso per verificare quanto segue:

Il tempo viene visualizzato sul display (vedere il paragrafo 3.2.2)

2) Premere l'interruttore della modalità passo passo con lo sportello aperto per verificare quanto segue:

	È possibile premere l'interruttore della modalità passo passo. Una volta rilasciato, l'interruttore torna nella posizione originale.
	Sono accesi soltanto i LED della fila in alto. * Durante quest'operazione, non tenere lo sguardo direttamente sui LED.
	L'indicatore della modalità passo passo sul display è illuminato. Sul display inizia il conto alla rovescia di 10 secondi.
	Sulle persone o sugli oggetti circostanti non viene proiettata una forte luce irradiata o riflessa.



* Se vengono riscontrati problemi nell'unità, premere il tasto di arresto per interrompere le irradiazioni.



ATTENZIONE

■ Nonostante il livello basso di emissioni, non guardare fisso nell'unità per controllare la luce irradiata in modalità passo passo. Non introdurre nessun oggetto che possa dirigere la luce verso gli occhi, altrimenti si rischia di danneggiare gli occhi.

3) Premere per un minuto il tasto di durata della polimerizzazione con lo sportello aperto per verificare quanto segue:

* Completare la verifica entro 20 secondi: superati i 20 secondi, viene rilevato un errore sportello aperto e l'unità viene arrestata.

	Almeno uno dei quattro LED blu di ciascuna riga in alto, al centro e in basso è acceso debolmente. * In questo momento il LED viola è spento. * Almeno uno dei quattro LED accesi è accettabile, anche se raramente può succedere che i LED non si accendano affatto a causa di un flusso di corrente troppo debole.
	Il piattello rotante gira.
	L'irradiazione si arresta dopo 20 secondi.



* Se vengono riscontrati problemi nell'unità, premere il tasto di arresto per interrompere le irradiazioni.

4) Premere per un minuto il tasto di durata della polimerizzazione con lo sportello chiuso per verificare quanto segue:

	Osservando dalla finestra, i LED nelle righe al centro e in basso sono accesi.
	Osservando dalla finestra, il piattello rotante gira. (se è difficile valutare, usare il supporto per il polimerizzatore.)
	Viene effettuato il conto alla rovescia del tempo visualizzato.
	L'irradiazione smette dopo un minuto.



* Se vengono riscontrati problemi nell'unità, premere il tasto di arresto per interrompere le irradiazioni.



ATTENZIONE

■ Non guardare a lungo in modo continuativo nella camera fotopolimerizzatrice attraverso la finestra in modalità completa. Si potrebbero altrimenti avvertire disagi.



ATTENZIONE

■ Se l'unità si guasta o viene danneggiata, smettere subito di utilizzarla, spegnere l'interruttore principale ed estrarre la presa di corrente.

Nota

- Dopo un lungo periodo di fermo, prima di utilizzare l'unità controllare che funzioni in modo normale e sicuro.

4.6 Spegnimento e conservazione

1) Chiudere lo sportello e spegnere l'interruttore principale.

Nota

- Se l'unità non viene utilizzata a lungo, si consiglia di staccare il cavo di alimentazione per risparmiare energia.

ATTENZIONE

- Non inserire o staccare la spina con le mani umide, per evitare folgorazioni.
- Quando si staccano i cavi, non esercitare una forza eccessiva sui cavi, ad esempio tenendoli mentre vengono staccati.

2) Pulire l'unità per prepararla a procedere correttamente all'operazione successiva (consultare il capitolo 6 "Manutenzione").

ATTENZIONE

- Pulire regolarmente la camera di polimerizzazione: se è sporca non è garantito un funzionamento ottimale.

3) Riporre l'unità con attenzione, adottando i seguenti accorgimenti:
– Per l'umidità, la temperatura e la pressione nell'ambiente di conservazione, consultare il capitolo 9 "Specifiche".

ATTENZIONE

- Verificare la stabilità dell'unità controllandone ad esempio l'inclinazione, le vibrazioni e l'impatto.

Nota

- Installare l'unità in un punto in cui non subisca gli effetti nocivi dell'esposizione diretta alla luce solare, a polvere, umidità, ad aria contenente sale e zolfo o della vicinanza a un elemento riscaldante.
- Installare l'unità in un punto lontano dagli schizzi d'acqua.

5. Metodo di utilizzo

5.1 Metodo di utilizzo di base

Nota

- Prima dell'uso, controllare che l'unità funzioni normalmente.
- Mentre si utilizza l'unità, prestare particolare attenzione ai seguenti accorgimenti:
 - Controllare sempre l'intera unità per verificare che non presenti guasti.
 - In caso di guasto, intervenire debitamente, ad esempio spegnendo l'unità.

 **AVVISO** 

- Vietare l'utilizzo dell'unità al personale fotosensibile, ad esempio coloro che sono allergici alla luce. Fare inoltre attenzione a non dirigere la luce irradiata verso persone fotosensibili, come le persone allergiche alla luce.
- L'unità non deve essere utilizzata da personale portatore di pacemaker, per non compromettere il funzionamento del pacemaker.

 **AVVISO**

- Se si ripara una protesi estratta dalla cavità orale di un paziente, prima di inserirla nell'unità è necessario disinfettarla per non causare infezioni.

- 1) Accendere l'interruttore principale e verificare che sul display del tempo venga visualizzato qualche valore. (vedere il paragrafo 3.2.2)
- 2) Polimerizzare un composito in modalità passo passo (v. paragrafo 5.2) o completa (v. paragrafo 5.3).

  **ATTENZIONE** 

- Non fissare direttamente la luce irradiata, altrimenti si rischia di danneggiare gli occhi.
- Non irradiare luce verso un oggetto a una distanza dalla sorgente luminosa inferiore a quella consigliata. L'oggetto altrimenti si potrebbe surriscaldare.
- Non avvicinare le mani alla sorgente luminosa irradiante per non rischiare di ustionarsi.

  **ATTENZIONE**

- Se si utilizza il fotopolimerizzatore a lungo o se si soffre di fotosensibilità, di cataratta o di retina danneggiata, indossare apparecchiature di protezione idonee, come occhiali che riducono la luce con lunghezza d'onda massima di 500 nm.

 **ATTENZIONE**

- Usare le dita ma non utilizzare oggetti affilati per azionare l'interruttore.

 **ATTENZIONE** 

- Quando si apre/chiude lo sportello, evitare di infilare le mani o parti del corpo o dell'oggetto sotto lo sportello o nel buco. Si rischiano altrimenti danni personali o materiali.

 **ATTENZIONE**

- Mettere un oggetto da polimerizzare con la superficie da polimerizzare davanti alla sorgente luminosa.
- Regolare la durata della polimerizzazione in base al materiale utilizzato.
- Al termine, controllare che il materiale sia stato polimerizzato perfettamente. In caso di polimerizzazione insufficiente, irradiare altra luce.
- Rimuovere lo sporco dal coperchio della lente o sostituire il coperchio sporco. La parte contaminata altrimenti si surriscalda e rischia di deformare o sciogliere il coperchio.

- 3) Dopo l'utilizzo, chiudere lo sportello e spegnere l'interruttore principale. (v. paragrafo 4.6)

 **ATTENZIONE** 

- Per un abbondante lasso di tempo dopo avere utilizzato l'unità, non toccare l'unità LED e la zona circostante per non rischiare di ustionarsi.

i Nota

- Se l'unità non viene utilizzata a lungo, si consiglia di staccare il cavo di alimentazione per risparmiare energia.

5.2 Modalità passo passo

i Nota

- Utilizzare la modalità passo passo soltanto per la polimerizzazione preliminare.

1) Aprire lo sportello e controllare che l'indicatore sportello aperto sia acceso.
(stato di standby in modalità passo passo)



- 2) Mettere un oggetto da polimerizzare nella posizione consigliata (descritta sotto) e premere l'interruttore modalità passo passo.
- I LED in alto iniziano subito ad irradiare luce e sul display viene indicato il tempo rimanente.
 - Premendo l'interruttore della modalità passo passo mentre viene irradiata luce si aggiungono dieci secondi al tempo rimanente.
 - È possibile aggiungere 30 secondi al massimo.

ATTENZIONE

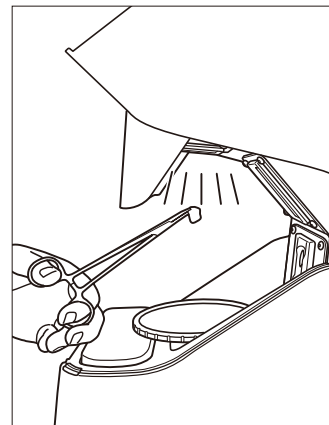
- Non guardare fisso nell'unità per controllare la luce irradiata in modalità passo passo, altrimenti si rischia di danneggiare gli occhi.
- Evitare di guardare continuamente le luci riflesse facendo delle pause quando si lavora sull'unità in modalità passo passo per un periodo abbastanza prolungato. Si potrebbero altrimenti avvertire disagi.
- Non avvicinare le mani alla sorgente luminosa irradiante per non rischiare di ustionarsi.

ATTENZIONE

- Quando si irradia una protesi in modalità passo passo, evitare il più possibile di mettere le mani tra la sorgente di luce e il piattello rotante, utilizzando ad esempio un morsetto. Un uso prolungato potrebbe altrimenti provocare l'abbronzatura.

ATTENZIONE

- Non tenere direttamente in mano e polimerizzare un composito in modalità passo passo. Il composito rovente potrebbe essere ustionante.



3) Al termine dell'irradiazione, rimuovere l'oggetto polimerizzato.

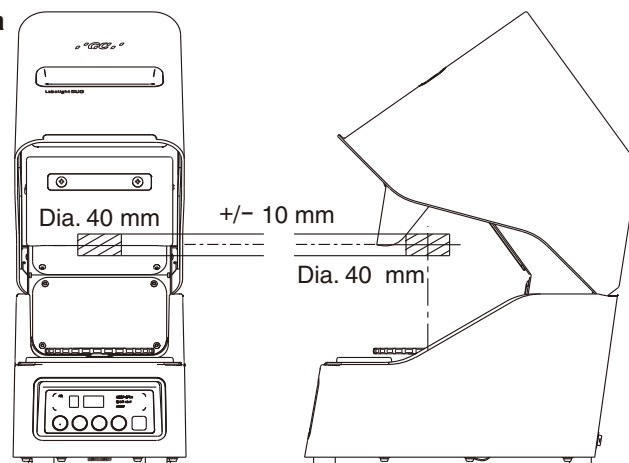
* Se si utilizza l'unità troppo a lungo, l'indicatore di surriscaldamento può lampeggiare a causa di una temperatura troppo elevata dei LED (avviso temperatura). Quando compare l'avviso di temperatura, si consiglia di fare una pausa di durata pari alla precedente polimerizzazione.

* Un ulteriore aumento di temperatura causa un arresto forzato del funzionamento, per consentire che i LED si raffreddino, disattivando le irradiazioni.

< Posizione di polimerizzazione consigliata in modalità passo passo >

Mettere il composito nell'area tratteggiata, come illustrato nella figura.

(Area tratteggiata: dentro a un cerchio di circa 40 mm di diametro subito sopra il piattello rotante e distante ± 10 mm dal bordo del visore)



5.3 Modalità completa

1) Aprire lo sportello e mettere un oggetto da polimerizzare sul piattello rotante (v. paragrafo 5.4).

i Nota

- Utilizzare il piattello rotante per irradiare luce su tutto il composito.
- Se si polimerizzano diversi compositi contemporaneamente, disporli in modo che nessuno dei due getti ombre sull'altro.

2) Per verificare che l'indicatore sportello aperto si spenga, chiudere lo sportello. (stato di standby in modalità completa)

3) Scegliere e premere il tasto di durata della polimerizzazione corrispondente alla durata consigliata dell'oggetto da polimerizzare.

- L'irradiazione di luce inizia subito e sul display viene indicato il tempo rimanente.
- Premendo di nuovo il tasto di durata della polimerizzazione mentre l'irradiazione di luce è in corso, il tempo corrispondente al tasto viene aggiunto al tempo residuo. È possibile aggiungere 10 minuti al massimo.



i Nota

- In modalità completa, controllare attraverso la finestra che il piattello rotante giri.

ATTENZIONE

- Non guardare continuamente nella camera fotopolimerizzatrice attraverso la finestra per molto tempo in modalità completa. Si potrebbero altrimenti avvertire disagi.
- Non irradiare luce verso un oggetto a una distanza dalla sorgente luminosa inferiore a quella consigliata. L'oggetto altrimenti si potrebbe surriscaldare.

ATTENZIONE

- Se il piattello rotante resta impigliato, arrestarne la rotazione premendo l'interruttore di arresto o spegnendo l'interruttore principale prima di estrarre l'oggetto impigliato.

* Per interrompere la polimerizzazione durante il processo, premere il tasto di arresto. L'unità andrà in standby.

* La polimerizzazione viene interrotta temporaneamente aprendo lo sportello durante il trattamento o premendo il tasto del timer tenendo aperto lo sportello. In questo caso soltanto i LED sono illuminati leggermente e il piattello rotante continua a girare.

- Dopo 15 secondi viene emesso un segnale acustico e dopo 20 secondi il segnale acustico e le attività si interrompono.
- Chiudendo lo sportello entro 20 secondi si sospende l'interruzione temporanea e l'irradiazione in modalità completa riprende.

* Se si utilizza l'unità in modo continuativo a lungo, l'indicatore di surriscaldamento può lampeggiare a causa di una temperatura troppo elevata dei LED. (avviso temperatura)
 Quando compare l'avviso di temperatura, si consiglia di proseguire con l'irradiazione per 5 minuti al massimo e di fare una pausa di durata pari all'irradiazione. La durata massima configurabile è di 5 minuti se viene visualizzato l'avviso di temperatura.

* Un ulteriore aumento della temperatura causa l'arresto temporaneo della modalità completa per dare una pausa ai LED e il funzionamento riparte automaticamente quando i LED si sono raffreddati a sufficienza. Se si preme il tasto di arresto o si lascia lo sportello aperto, il tempo rimanente viene azzerato.

4) Il tempo rimanente "0" indica la fine della polimerizzazione.
 La fine viene indicata anche dal segnale acustico corrispondente e dalla comparsa della scritta "Fin".
 Dopo aver controllato il display, aprire lo sportello e rimuovere l'oggetto.



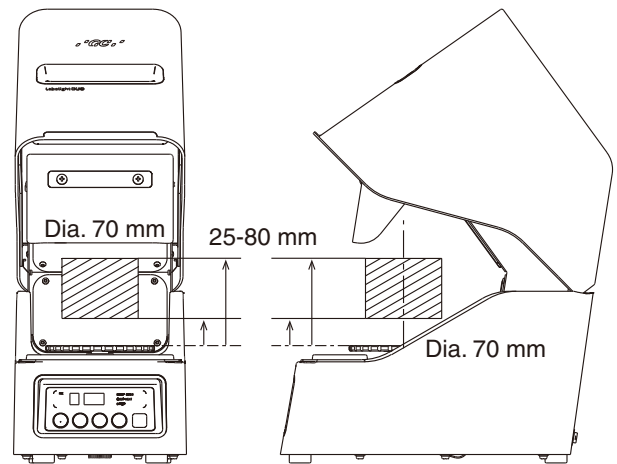
ATTENZIONE

■ Non rimuovere direttamente con le mani un composito subito dopo la polimerizzazione in modalità completa. Il composito rovente potrebbe essere ustionante.

< Posizione di polimerizzazione consigliata in modalità completa >

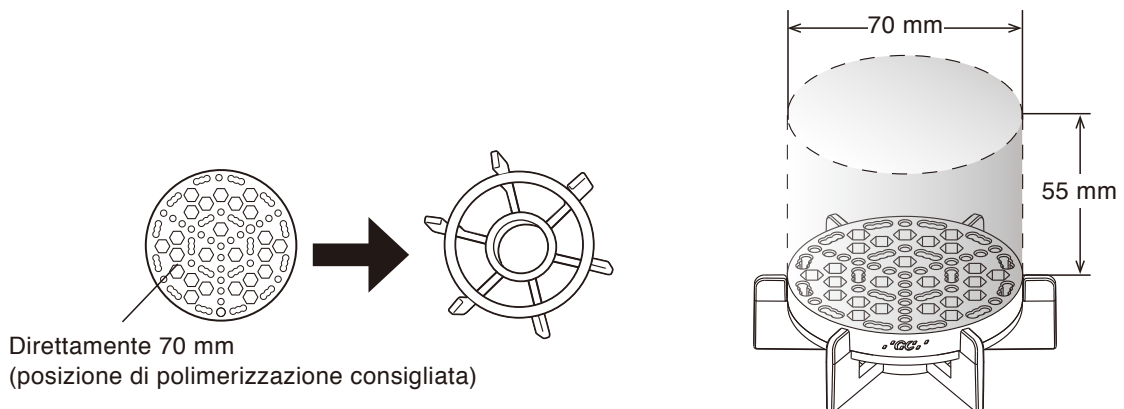
Mettere l'oggetto da polimerizzare nell'area tratteggiata, come illustrato nella figura.

(Area tratteggiata: dentro a un cerchio di circa 70 mm di diametro subito sopra il piattello rotante, a un'altezza da 25 a 80 mm dalla superficie superiore del piattello rotante)



1) Sola protesi, come corona e ponte
 / Protesi su un modello con perno

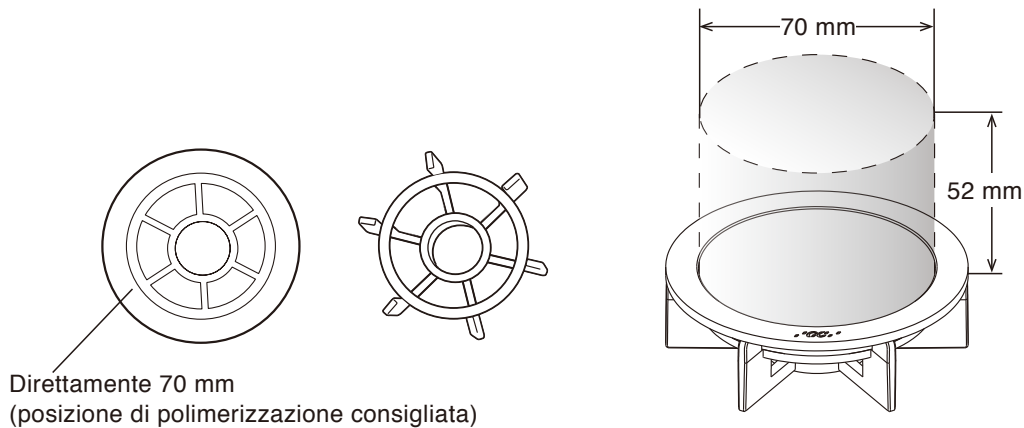
Utilizzo del "supporto per il polimerizzatore" e del "portasupporto per il polimerizzatore"
 (per maggiori informazioni sul supporto per il polimerizzatore, vedere il paragrafo 5.4)



Direttamente 70 mm
 (posizione di polimerizzazione consigliata)

2) Protesi o dente artificiale dall'altezza massima di 52 mm su un modello

Utilizzo della "piastra di polimerizzazione" e del "portasupporto per il polimerizzatore"



3) Protesi o dente artificiale dall'altezza minima di 52 mm su un modello

Metterli sul piattello rotante insieme al modello.

i Nota

- Quando si mette un oggetto da polimerizzare fuori dall'intervallo consigliato per la polimerizzazione, impostare una durata abbondante, dato che la luce irradiata sull'oggetto potrebbe essere insufficiente.
- Fare attenzione che, se una protesi o un modello viene messo fuori dal diametro esterno di 100 mm del piattello rotante o a un'altezza superiore a 80 mm, si verificano interferenze tra l'oggetto da polimerizzare o il modello e il visore o la parete della camera di polimerizzazione, che impediscono o compromettono la rotazione della piattaforma.

5.4 Metodo di utilizzo del set di supporti per la polimerizzazione

Per una sola protesi, come una corona o un ponte, o per un modello con un perno, utilizzare il supporto per la polimerizzazione e vari montanti consultando i seguenti esempi di utilizzo.



Morsetto

Fissa una protesi e viene inserito in un foro rotondo o in tre fori rotondi consecutivi sul supporto per la polimerizzazione.



Montante in metallo

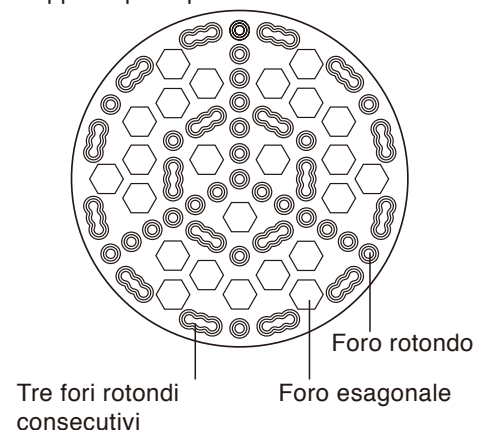
Prende una protesi e viene inserito in un foro rotondo o in tre fori rotondi consecutivi sul supporto per la polimerizzazione.



Montante in silicone

Prende una protesi e viene inserito in un foro esagonale sul supporto per la polimerizzazione. Tagliare le eventuali sporgenze.

Supporto per il polimerizzatore



Protesi su un modello con perno

Il modello con la protesi viene messo sul supporto per la polimerizzazione inserendo il perno nel foro esagonale sul supporto.

6. Manutenzione

6.1 Controllo

Eeguire il controllo e la manutenzione con la seguente frequenza consigliata:

ATTENZIONE

- Controllare regolarmente le apparecchiature e i componenti.

	Contenuto	Dettagli
Ispezione giornaliera	Verificare che i LED si accendano Verificare lo stato del piattello rotante	Dopo aver premuto il tasto del timer con lo sportello aperto, verificare che i LED si illuminino e che il piattello rotante giri correttamente. In caso di guasto, si verifica un difetto nella polimerizzazione. (per maggiori informazioni vedere il paragrafo 4.5 "Messa in funzione e controllo")
	Controllare che il coperchio della lente non sia sporco	Pulire il coperchio della lente, se è sporco. (vedere il paragrafo 6.2 "Pulizia e sostituzione dei pezzi")
Ispezione settimanale	Verificare che i collegamenti siano stabili	Verificare che l'alimentatore CA e il cavo di alimentazione siano ben collegati e che non vi siano accumuli di polvere.
	Controllare che l'interruttore della modalità passo passo non sia sporco	Pulire l'interruttore della modalità passo passo se sporco e polveroso. (vedere il paragrafo 6.2 "Pulizia e sostituzione dei pezzi")
	Controllare che la camera di polimerizzazione non sia sporca all'interno	Pulire la camera di polimerizzazione, se è sporca. (vedere il paragrafo 6.2 "Pulizia e sostituzione dei pezzi")
Sostituzione dei pezzi	Sostituzione del coperchio della lente (la frequenza di sostituzione è indicativa: 1 anno *dipende dalla frequenza di utilizzo)	Scolorimento grave, sporco o graffi sulla lente possono compromettere la polimerizzazione. Se si ispeziona il coperchio della lente e si trovano segni di scolorimento, sporco o graffi indelebili, sostituire il coperchio della lente. *Il coperchio della lente può scolorirsi con il passare del tempo. (vedere il paragrafo 6.2 "Pulizia e sostituzione dei pezzi")

ATTENZIONE

- Pulire regolarmente la camera di polimerizzazione: se è sporca non è garantito un funzionamento ottimale. Se si utilizza un disinfettante infiammabile (ad es. a base di alcool isopropilico), sussiste il rischio di ignizione/esplosione se la lampada viene accesa quando c'è vapore nella camera.

Nota

- In caso di guasto di un LED, gli altri LED possono continuare ad emettere luce. Tuttavia, diminuendo la quantità totale di luce emessa, la durata della polimerizzazione deve aumentare e lo stato della polimerizzazione deve essere controllato. Riparare tempestivamente l'unità LED guasta.

6.2 Pulitura e sostituzione dei componenti

Staccare il cavo di corrente affinché l'unità non venga attivata durante gli interventi di pulitura o sostituzione.

ATTENZIONE

- Dopo un uso prolungato, attendere che la temperatura dell'unità si sia abbassata a sufficienza prima di svolgere interventi di manutenzione.



 **ATTENZIONE** 

■ Spegnere l'interruttore principale e staccare il cavo di corrente prima della pulizia o della sostituzione dei pezzi.

6.2.1 Metodo di pulitura dei pezzi

 **ATTENZIONE**

■ Pulire regolarmente la camera di polimerizzazione: se è sporca non è garantito un funzionamento ottimale.

Contenuto	Dettagli
Coperchio della lente	<p>Pulire con un panno morbido inumidito con una piccola quantità di alcol o acqua. * In caso di scolorimento o di sporco o graffi indelebili, sostituire il coperchio della lente. * Il coperchio della lente può scolorirsi con il passare del tempo.</p> <div style="border: 1px solid black; padding: 5px; text-align: center;"> <p> ATTENZIONE</p> <p>■ Rimuovere lo sporco dal coperchio della lente o sostituire il coperchio sporco. La parte contaminata altrimenti si surriscalda e rischia di deformare o sciogliere il coperchio. ■ Se l'unità viene utilizzata senza che sia montato il coperchio della lente, una protezione insufficiente può compromettere il funzionamento della lente. Tenere montato il coperchio quando si utilizza l'unità.</p> </div>
Piattello rotante	<p>Pulire con un panno morbido inumidito con una piccola quantità di alcol o acqua. * Sollevare la piattaforma per rimuoverla. * Quando si rimonta la piattaforma, girarla per individuare una delle sei posizioni (con un intervallo di 60°) in cui la piattaforma entra fino in fondo.</p>
Interruttore della modalità passo passo	<p>Pulire con un panno morbido inumidito con una piccola quantità di alcol o acqua. Se si accumula sporco in una fessura, rimuovere il coperchio dell'interruttore della modalità passo passo e pulire con un cotton fioc, ad esempio. (vedere il paragrafo 6.2.3 per il metodo di rimozione)</p> <div style="text-align: right;">  </div>
Visore	<p>Pulire con un panno morbido inumidito con una piccola quantità di alcol o acqua.</p>
Alloggiamento, camera di polimerizzazione	<p>Pulire con un panno morbido inumidito con una piccola quantità di alcol o acqua.</p>
Portasupporto per il polimerizzatore	<p>Pulire con un panno morbido inumidito con una piccola quantità di alcol o acqua.</p>
Vassoio Montante in metallo Morsetto	<p>Pulire con un panno morbido inumidito con una piccola quantità di alcol o acqua. * Si può usare una soluzione chimica per disinfettare. * Si può sterilizzare in autoclave</p>
Piastra di polimerizzazione Supporto per il polimerizzatore Montante in silicone	<p>Pulire con un panno morbido inumidito con una piccola quantità di alcol o acqua. * Si può usare una soluzione chimica per disinfettare. * Si può sterilizzare in autoclave (sebbene quest'operazione ripetuta possa danneggiare l'unità)</p>

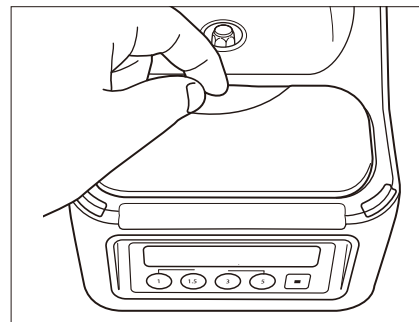
 **Nota**

- Per pulire l'unità utilizzare un panno morbido inumidito con una piccola quantità di alcol o acqua. Non utilizzare solventi organici (diluente, benzina, ecc).
- Prestare attenzione perché l'unità potrebbe sbiancarsi nei punti in cui fanno presa i solventi organici. Pulire subito se ci sono residui di solvente.

6.2.2 Metodo di rimozione/rimontaggio del coperchio dell'interruttore della modalità passo passo

< Metodo di rimozione >

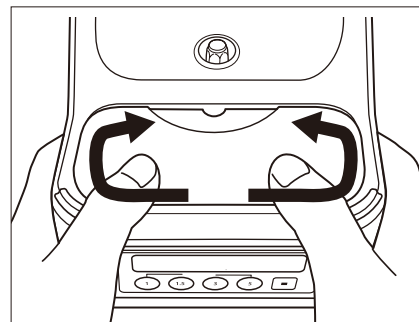
Con il piattello rotante rimosso, rimuovere il coperchio prendendolo dalle tacche.



< Metodo di montaggio >

Allineare la sporgenza del coperchio dell'interruttore della modalità passo passo al foro della piastra dell'interruttore della modalità passo passo e inserire la sporgenza nel foro.

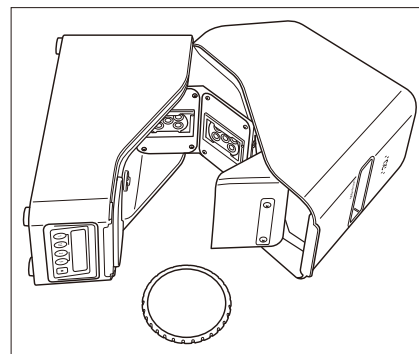
* Per semplificare l'inserimento della sporgenza nel foro, coprire tutta la circonferenza della piastra con la sporgenza del coperchio.



6.2.3 Metodo di sostituzione del coperchio della lente

< Preparazione >

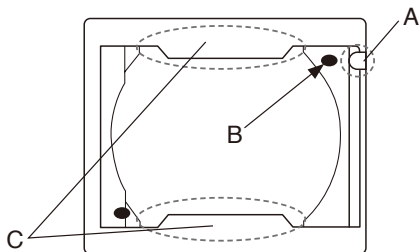
- 1) Spegnere la corrente ed estrarre l'alimentatore CA.
- 2) Togliere il piattello rotante e mettere da parte il corpo principale.



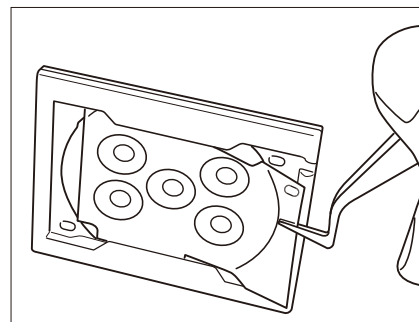
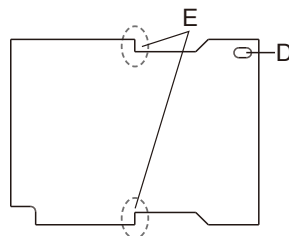
< Metodo di rimozione >

- 3) Inserire un'unghia o delle pinzette nello spazio formatosi [A] tra il supporto della lente e il coperchio della lente attraverso la cavità del supporto, quindi far scorrere il coperchio verso la cavità [A].

Portacoperchio della lente

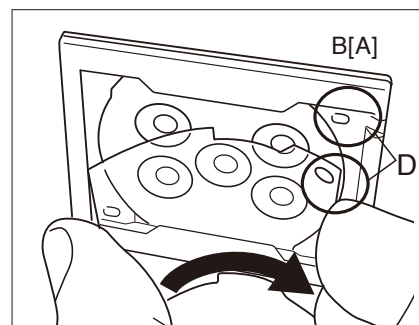


Coperchio della lente

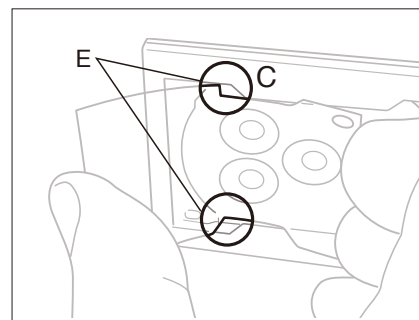


< Metodo di montaggio >

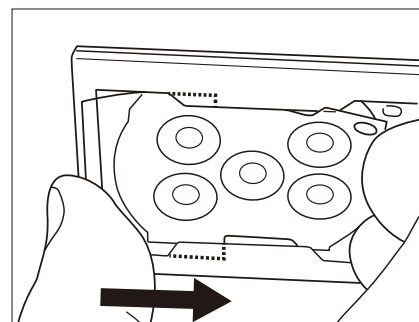
4) Dato che le superfici anteriore e posteriore del coperchio della lente hanno profili diversi, controllare che l'orientamento sia corretto nel punto in cui il foro del coperchio della lente [D] è allineato alla sporgenza del supporto del coperchio della lente vicino alla cavità [B(A)].



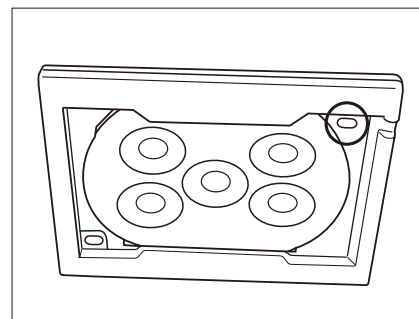
5) Piegando leggermente all'esterno il coperchio della lente, inserire il dentello (angolo destro) del coperchio della lente [E] dentro l'ala del supporto della lente [C].



6) Far scorrere il coperchio della lente per montarlo.



7) Verificare che le sporgenze del supporto del coperchio della lente [B] si incastrino nel foro del coperchio della lente [D].



7. Risoluzione dei problemi

Prima di richiedere la riparazione in base alla propria valutazione di un guasto, eseguire i seguenti controlli. Se nulla corrisponde a quanto segue, rivolgersi al proprio rivenditore o al nostro ufficio vendite o filiale.

Sintomi	Cause	Misure
Quando si accende l'interruttore principale, l'unità non si accende (non compare nulla sul display).	I cavi sono staccati	Controllare che non vi siano collegamenti allentati del corpo principale, alimentatore CA, cavo di alimentazione e uscita.
	Uso di un cavo di alimentazione o di un alimentatore CA diverso	Verificare che vengano utilizzati il cavo di alimentazione dedicato e l'alimentatore CA.

Sintomi		Cause	Misure
Quando si accende l'interruttore principale, l'unità non si accende (non compare nulla sul display).		Alimentatore CA o cavo di alimentazione difettoso	Sostituire l'alimentatore CA/o il cavo di alimentazione. Rivolgersi al proprio rivenditore o al nostro ufficio vendite o filiale.
		Fusibile bruciato	Sostituire il fusibile installato all'interno dell'unità. Rivolgersi al proprio rivenditore o al nostro ufficio vendite o filiale.
In modalità passo passo non viene irradiata luce.	L'indicatore di surriscaldamento è acceso.	Interruzione temporanea causata dal surriscaldamento dei LED	Prima di avviare, attendere che i LED si siano raffreddati. Se il problema si verifica spesso, rivolgersi al proprio rivenditore o al nostro ufficio vendite o filiale.
	L'indicatore dello sportello aperto è spento.	Guasto o malfunzionamento del sensore di rilevamento di apertura/chiusura dello sportello	Aprire completamente lo sportello e ricontrollare.
	Anche se il display è normale, i LED della fila in alto sono spenti.	Guasto o disconnessione dei LED	Sostituire l'unità LED. Rivolgersi al proprio rivenditore o al nostro ufficio vendite o filiale. Vedere il capitolo 6 per il metodo di controllo dei LED.
In modalità completa non viene irradiata luce.	L'indicatore di surriscaldamento è acceso e sul display lampeggia il tempo mancante.	Interruzione temporanea causata dal surriscaldamento dei LED (l'irradiazione viene temporaneamente interrotta)	Prima di avviare, attendere che i LED si siano raffreddati. Se il problema si verifica spesso, rivolgersi al proprio rivenditore o al nostro ufficio vendite o filiale.
	L'indicatore di surriscaldamento è acceso e sul display compare la scritta "Fin".	Interruzione temporanea causata dal surriscaldamento dei LED (l'irradiazione è stata completata)	Prima di avviare, attendere che i LED si siano raffreddati. Se il problema si verifica spesso, rivolgersi al proprio rivenditore o al nostro ufficio vendite o filiale.
	Anche se il display è normale, i LED sono spenti.	Guasto o disconnessione dei LED	Sostituire l'unità LED. Rivolgersi al proprio rivenditore o al nostro ufficio vendite o filiale. Vedere il capitolo 6 per il metodo di controllo dei LED.
In modalità completa le luci sono eccessivamente basse o la polimerizzazione risente.	L'indicatore dello sportello è acceso all'inizio dell'irradiazione in modalità completa e il conto alla rovescia non parte.	Interruzione temporanea causata dallo sportello aperto	Controllare che non vi sia nulla nello spazio vuoto dello sportello. Chiudere completamente lo sportello prima dell'uso.
	Il display è normale e tutti i LED sono accesi.	Contaminazione o graffi dei componenti ottici	La generazione di luce può essere compromessa da sporco o graffi sui componenti ottici. Pulire all'interno la camera di polimerizzazione e il coperchio della lente oppure sostituire il coperchio della lente, secondo necessità (v. capitolo 6).
	Anche se il display è normale, i LED sono spenti.	Guasto o disconnessione dei LED	Sostituire l'unità LED. Rivolgersi al proprio rivenditore o al nostro ufficio vendite o filiale. Vedere il capitolo 6 per il metodo di controllo dei LED.
Il piattello rotante non gira.		Piattello rotante ostacolato	Rimuovere il piattello rotante e controllare che non vi siano intrusioni o materiali esterni nella superficie posteriore dell'albero.
Il piattello rotante non gira.		Motore del piattello rotante guasto	Il motore deve essere sostituito. Rivolgersi al proprio rivenditore o al nostro ufficio vendite o filiale.

Sintomi		Cause	Misure
Viene generato un errore e l'unità non funziona (indicatore di errore acceso).	Sul display compare la scritta "E01".	Sensore di temperatura difettoso	È possibile che la temperatura nell'unità sia eccessivamente alta o bassa oppure che il sensore della temperatura sia guasto. Smettere subito di usare l'unità e controllare che non sia difettosa. Utilizzare l'unità in un intervallo di temperatura tra 10 e 40°C. Se il problema persiste anche dopo l'accensione dell'interruttore principale a normale temperatura ambiente, rivolgersi al proprio rivenditore o al nostro ufficio vendite o filiale.
	Sul display compare la scritta "E02".	Scollegamento dei LED nella fila in alto oppure presunto difetto del sensore della temperatura	Al termine dell'irradiazione viene generato un errore perché durante l'irradiazione in modalità completa è stato rilevato un errore di temperatura dei LED nella fila in alto. Se il problema si verifica, controllare la fila in alto di LED (v. capitolo 6). Per azzerare l'errore, riaccendere l'interruttore principale.
	Sul display compare la scritta "E03".	L'interruttore della modalità passo passo rimane premuto	Può essere entrato materiale esterno, come polvere, che mantiene premuto l'interruttore. Pulire l'interruttore (v. capitolo 6). Spegnendo l'interruttore, l'errore scompare.
	Sul display compare la scritta "E04".	Guasto o disconnessione dei LED viola nell'unità di LED in alto	Per azzerare l'errore, riaccendere l'interruttore principale. Se l'errore si ripete ogni volta che si utilizza la modalità completa/passo passo, sostituire l'unità LED. Rivolgersi al proprio rivenditore o al nostro ufficio vendite o filiale.
	Sul display compare la scritta "E05".	Guasto o disconnessione dei LED viola nell'unità di LED al centro	Per azzerare l'errore, riaccendere l'interruttore principale. Se l'errore si ripete ogni volta che si utilizza la modalità completa, sostituire l'unità LED. Rivolgersi al proprio rivenditore o al nostro ufficio vendite o filiale.
	Sul display compare la scritta "E06".	Guasto o disconnessione dei LED viola nell'unità di LED in basso	

*Poiché guasti diversi da quelli elencati sopra indicano probabilmente un guasto del prodotto, rivolgersi al proprio rivenditore o al nostro ufficio vendite o filiale.

Nota

- In caso di guasto di un LED, gli altri LED possono continuare ad emettere luce. Tuttavia, diminuendo la quantità totale di luce emessa, la durata della polimerizzazione deve aumentare e lo stato della polimerizzazione deve essere controllato. Riparare tempestivamente l'unità LED guasta.

AVVISO

- Non smontare né modificare l'unità, per evitare la generazione di calore, ignizione o spaccature.

ATTENZIONE

- Se l'unità si guasta o viene danneggiata, smettere subito di utilizzarla, spegnere l'interruttore principale ed estrarre la presa di corrente.
- Non cercare di riparare da soli l'unità guasta, ma chiedere a un esperto di farlo dopo avere fornito le indicazioni appropriate.

8. Garanzia e riparazione

Dedichiamo il massimo impegno alla produzione e alla qualità dei prodotti. Tuttavia, in caso di guasti dei prodotti durante il periodo di garanzia, ripariamo gratuitamente il prodotto se coperto da garanzia alle condizioni indicate. Eventualmente rivolgersi al proprio rivenditore o al nostro ufficio vendite o filiale.

Come produttore, non ci assumiamo alcuna responsabilità per danni causati da utilizzi incompatibili con la presente unità o non conformi alle presenti istruzioni.

L'unità è coperta dalla seguente garanzia. Il materiale di consumo (vedere il seguente elenco) non è coperto da garanzia.

Periodo di garanzia 1 anno

Nota

- È severamente vietato aprire, smontare o rimodellare il fotopolimerizzatore o utilizzarlo in modo non previsto dalle presenti istruzioni.

< Elenco del materiale di consumo >

Descrizione	Codice
Portasupporto per il polimerizzatore 1 pz	009139
Piastra di polimerizzazione 1 pz	009140
Supporto per il polimerizzatore 1 pz	009141
Montante in silicone anteriore 1 pz	009142
Montante in silicone posteriore 1 pz	009143
Montante in metallo 1 pz	009144
Morsetto 1 pz	009145
Coperchio della lente 3 pz	009146
Coprinterruttore modalità passo passo 1 pz	009147
Piattello rotante 1 pz	009148
Vassoio 1 pz	009149
Set di supporti per il polimerizzatore (Portasupporto per il polimerizzatorex2, piastra di polimerizzazionex1, supporto per il polimerizzatorex1, montante in silicone anteriorex4, montante in silicone posteriorex3, montante in metallox4, morsettox1)	009138

Nota

- Utilizzare soltanto parti di ricambio e accessori originali. L'utilizzo di pezzi e accessori non originali invalida la garanzia ed esonera il produttore dalle sue responsabilità.

9. Smaltimento

Il prodotto è contrassegnato da questo simbolo per il riciclaggio/lo smaltimento del prodotto nel rispetto dell'ambiente. Non eliminarlo con i normali rifiuti.

Il prodotto è conforme alla Direttiva Europea 2012/19/UE (RAEE) e alle leggi in vigore nel vostro paese sul riciclaggio/smaltimento ecologico dei rifiuti. Chiedere a GC Europe o al proprio rivenditore GC quando e dove verrà smaltito il prodotto.



10. Specifiche

Nome / Modello		Labolight DUO
Sorgente luminosa	Numero di sorgenti luminose	LED blu: 12 (4 x 3 unità) LED viola: 3 (1 x 3 unità)
	Lunghezza d'onda di picco	LED blu: 465nm-485nm LED viola: 390nm-400nm
	Range lunghezza d'onda	380nm – 510 nm (Tipico)
Alimentatore	Ingresso alimentatore CA	100-240V CA, 50-60 Hz, 1,2A MAX
	Uscita alimentatore CA	24V CC, 3,75A
	Ingresso corpo principale	24V CC (+/- 5%), 60VA
Dimensioni	Sportello chiuso	larghezza 159mm x profondità 290mm x altezza 297mm
	Sportello aperto	larghezza 159mm x profondità 307mm x altezza 418mm
Peso		Corpo: 5,3 kg (senza il set di supporti per la polimerizzazione) Alimentatore CA: 0,4 kg Cavo di alimentazione: 0,2 kg
Condizioni ambientali di utilizzo		Solo ad uso interno
		Temperatura: da 10°C a 40°C
		Umidità relativa: 30%-75% RH
		Altitudine: fino a 2000 m oppure pressione atmosferica di 700hPa-1060hPa
		Categoria di installazione (categoria di sovratensione) II
Condizioni ambientali di trasporto e conservazione		Fluttuazione di tensione della rete elettrica +/- 10%
		Livello di inquinamento 2
		Temperatura: da -10°C a 50°C
		Umidità relativa: 30%-75% RH
	Altitudine: fino a 2000 m oppure pressione atmosferica di 700hPa-1060hPa	

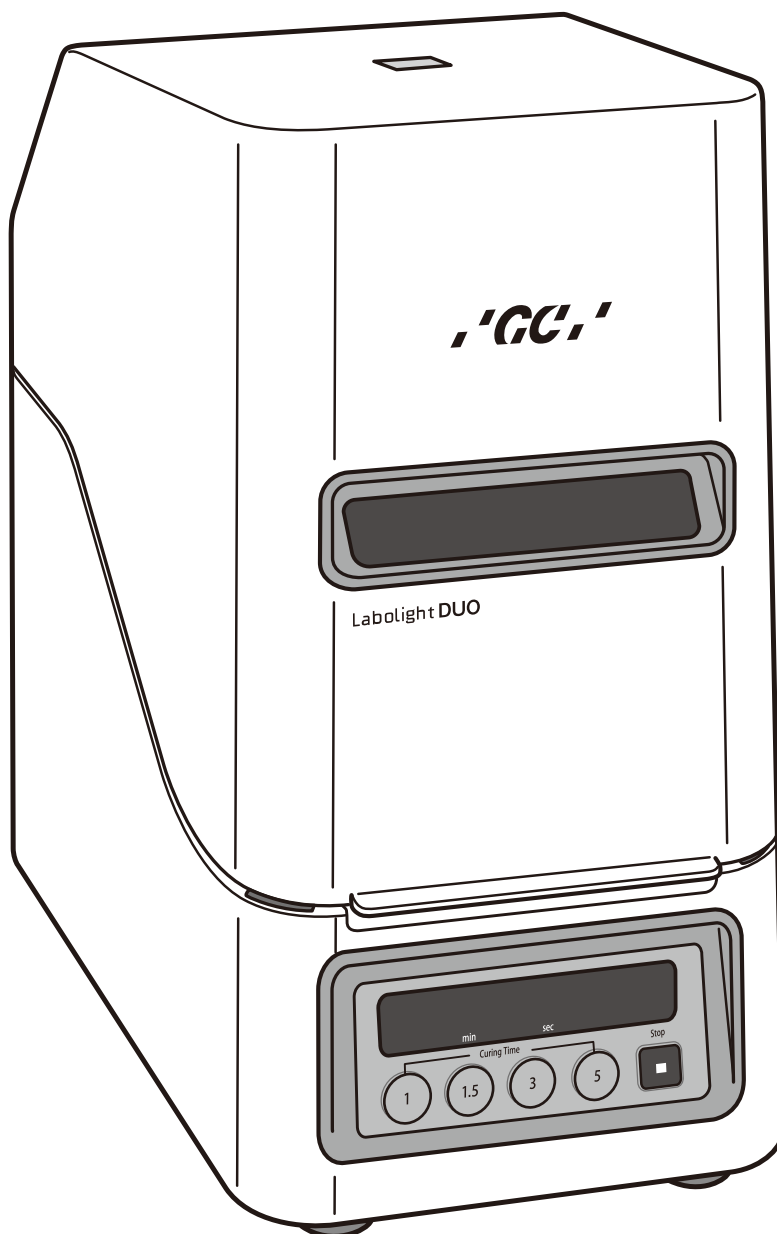
* Le specifiche del prodotto sono soggette a modifica senza preavviso per apportare miglioramenti.

Labolight DUO

UNIDAD DE FOTOPOLIMERIZACIÓN LED DUAL PARA RESINAS DE COMPOSITE INDIRECTA

Lea detenidamente las instrucciones antes de utilizar la unidad.

Instrucciones de uso



ES

GC

Contenido

1. Introducción	ES 4
1.1 Uso previsto	ES 4
1.2 Características	ES 4
1.3 Símbolos	ES 4
2. Para el uso seguro del aparato	ES 6
3. Descripción del producto	ES 8
3.1 Contenido del paquete	ES 8
3.2 Nombres y funciones de los componentes	ES 9
3.2.1 Cuerpo principal	ES 9
3.2.2 Panel de mandos	ES 10
3.2.3 Adaptador de corriente alterna y cable de alimentación	ES 11
3.2.4 Placa de características/etiqueta de precaución	ES 11
4. Método de instalación	ES 12
4.1 Transporte	ES 12
4.2 Desembalaje	ES 12
4.3 Instalación	ES 12
4.4 Montaje	ES 13
4.5 Puesta en funcionamiento y comprobaciones	ES 14
4.6 Parada y almacenamiento	ES 15
5. Método de funcionamiento	ES 16
5.1 Método de funcionamiento básico	ES 16
5.2 Modo progresivo	ES 17
5.3 Modo completo	ES 18
5.4 Uso del método del conjunto de soporte de polimerización	ES 20
6. Mantenimiento	ES 21
6.1 Comprobación	ES 21
6.2 Limpieza y sustitución de componentes	ES 22
6.2.1 Método para limpiar cada componente	ES 22
6.2.2 Método para desmontar/volver a montar la tapa del interruptor del modo progresivo	ES 23
6.2.3 Método para montar la tapa de la lente	ES 24
7. Solución de problemas	ES 25
8. Garantía y reparación	ES 28
9. Eliminación	ES 29
10. Características técnicas	ES 29



DECLARACIÓN CE DE CONFORMIDAD

De acuerdo con la Directiva sobre máquinas 2006/45/CE

19 de junio de 2015

GC EUROPE N.V.
Research Park
Interleuvenlaan 33
B-3001 Leuven
Bélgica

Declaramos bajo nuestra responsabilidad que el producto:

Nombre/modelo: Labolight DUO

Al que hace referencia esta declaración cumple con las disposiciones de las Directivas del Consejo

2006/42/CE de Maquinaria
2014/30/UE de Compatibilidad Electromagnética
2014/35/UE de Baja tensión

y está en conformidad con las siguientes normas u otros documentos normativos:

IEC 61326-1:2012	Material eléctrico para medida, control y uso en laboratorio – Requisitos de compatibilidad electromagnética (CEM) – Parte 1: Requisitos generales
IEC 61010-1:2010	Requisitos de seguridad de equipos eléctricos de medida, control y uso en laboratorio – Parte 1: Requisitos generales
IEC 62471:2006	Seguridad fotobiológica de lámparas y de los aparatos que utilizan lámparas

Y se ha fabricado de acuerdo con la documentación técnica.

Lovaina, 19/06/2015.....
Fecha

[Firma]
M. Aydin
Director de Garantía de Calidad y
Asuntos Regulatorios
En representación de GC Europe N.V.



GC Europe Head Office
Interleuvenlaan 33
B-3001 Leuven

ES

1. Introducción

Le agradecemos la compra de nuestro producto Labolight DUO.



Nota

– Siga estas Instrucciones de uso, que se han redactado para garantizar el uso correcto y seguro del aparato. Guarde las Instrucciones de uso en un lugar de fácil acceso.

ADVERTENCIA

■ Respete las explicaciones que aparecen en las Instrucciones de uso para garantizar la seguridad del usuario y la utilización correcta del aparato. El uso de este producto de una forma diferente a la detallada en las instrucciones puede disminuir la protección que ofrece.

Como fabricantes, no podemos hacernos responsables de los daños causados por el uso de este aparato en aplicaciones incompatibles o no conformes a las presentes instrucciones.

1.1 Uso previsto

Este aparato se utiliza para la fotopolimerización de materiales compuestos dentales.

ADVERTENCIA

■ Este aparato solo debe ser utilizado por personal cualificado para la administración de tratamientos dentales.



Nota




● Utilice Labolight DUO solo con compuestos dentales, ya que el producto está diseñado específicamente para este fin.





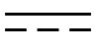
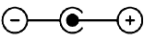
1.2 Características

- 1) Labolight DUO es un aparato de polimerización para profesionales dentales que utiliza la iluminación emitida por luces LED.
- 2) Labolight DUO dispone de 12 LED azules y 3 LED violeta, que permiten polimerizar cualquier producto de composite de GC.
- 3) Labolight DUO permite una polimerización preliminar con la puerta abierta (modo paso a paso).

1.3 Símbolos


Los símbolos que aparecen en este aparato tienen el siguiente significado:

Símbolo	Lugar donde aparece	Significado
	Etiqueta de precaución	Consultar las instrucciones de uso.
	Etiqueta de precaución	PRECAUCIÓN: Radiación visible Este producto emite radiación óptica posiblemente peligrosa. No se debe mirar la lámpara mientras esté encendida. Puede causar lesiones oculares.
	Etiqueta de precaución	AVISO: Radiación ultravioleta Este producto emite luz UV. Debe reducirse al mínimo la exposición de los ojos o la piel. No olvide utilizar una protección adecuada.

Símbolo	Lugar donde aparece	Significado
	Unidad de LED	PRECAUCIÓN: La superficie puede estar caliente. ■ No debe tocarse la unidad de LED ni las zonas circundantes después de un tiempo prolongado de funcionamiento. De lo contrario, pueden producirse quemaduras.
	Interruptor principal	ON (encendido)
	Interruptor principal	OFF (apagado)
	Adaptador de corriente alterna	Corriente alterna
	Placa de características Adaptador de corriente alterna	Corriente continua
	Placa de características Adaptador de corriente alterna	Polaridad del conector de corriente continua

* En el Capítulo 3, puede consultar los nombres de los componentes correspondientes.

Los símbolos que aparecen en estas instrucciones tienen el siguiente significado:

Símbolo	Significado
	ADVERTENCIA: - Puesto que existe el riesgo de que se produzcan daños personales o materiales graves, asegúrese de respetar la explicación de la advertencia cuando utilice el aparato. PRECAUCIÓN: - Puesto que existe el riesgo de que se produzcan daños personales o materiales de menor importancia, asegúrese de respetar la explicación de la precaución cuando utilice el aparato.
	PRECAUCIÓN: Radiación visible Este producto emite radiación óptica posiblemente peligrosa. No se debe mirar la lámpara mientras esté encendida. Puede causar lesiones oculares.
	AVISO: Radiación ultravioleta Este producto emite luz UV. Debe reducirse al mínimo la exposición de los ojos o la piel. No olvide utilizar una protección adecuada.
	PRECAUCIÓN: La superficie puede estar caliente.
	PRECAUCIÓN: Riesgo de descarga eléctrica.
	Prohibición
	Notas: Información importante y notas respecto al uso de este aparato
	Consulte estas instrucciones de uso.
	Desconecte el enchufe de la toma de la red eléctrica.
	Conecte una toma de tierra con el suelo.

2. Para el uso seguro del aparato

Respete las siguientes precauciones y advertencias para utilizar este aparato con seguridad.

ADVERTENCIA

- Este aparato solo debe ser utilizado por personal cualificado para la administración de tratamientos dentales.
- El personal con problemas de fotosensibilidad, como las personas con alergia a la luz, no debe utilizar este aparato. Además, se deben tomar precauciones para evitar que la luz irradiada incida sobre personas fotosensibles, es decir, con alergia a la luz.
- Este aparato no debe ser utilizado por personas que tengan implantado un marcapasos. Puede afectar al funcionamiento de este dispositivo.
- Cuando repare una prótesis extraída de la cavidad bucal de un paciente, desinfectela antes de colocarla en el aparato. De lo contrario, se podrían transmitir infecciones. Si se utiliza un desinfectante inflamable (por ejemplo, a base de alcohol isopropílico), la lámpara no se debe encender mientras aun queden vapores en la cámara, ya que existe el riesgo de incendio o explosión.
- No desmonte ni modifique el aparato, ya que podría provocar un sobrecalentamiento, incendio o rotura.
- Respete las explicaciones que aparecen en las Instrucciones de uso para garantizar la seguridad del usuario y la utilización correcta del aparato. El uso de este producto de una forma diferente a la detallada en las instrucciones puede disminuir la protección que ofrece.

GRUPO DE RIESGO 2 (IEC 62471)

PRECAUCIÓN

Este producto emite radiación óptica posiblemente peligrosa.

No se debe mirar la lámpara mientras esté encendida. Puede causar lesiones oculares.

- No mire directamente a la luz irradiada, ya que podría sufrir lesiones oculares.
- No mire directamente al aparato para comprobar la luz irradiada en el modo progresivo, ya que podría sufrir lesiones oculares.
- Evite mirar la luz reflejada durante mucho tiempo, tomándose descansos cuando trabaje con el aparato en el modo progresivo durante un período de tiempo prolongado. Puede causar malestar.
- No mire de una manera continua y prolongada el interior de la cámara de polimerización a través de la ventanilla cuando esté activado el modo completo. Puede causar malestar.
- Use un equipo protector adecuado como, por ejemplo, unas gafas que sean opacas a la transmisión de una luz de longitud de onda de 500 nm o menos, cuando trabaje con el aparato de una forma continua y prolongada o si padece trastornos como fotosensibilidad, cataratas o daños en la retina.
- No irradie luz sobre un objeto que esté más próximo a la fuente luminosa que la distancia recomendada. El objeto podría calentarse.

AVISO

Este producto emite luz UV.

Debe reducirse al mínimo la exposición de los ojos o la piel. No olvide utilizar una protección adecuada.

- No coloque las manos cerca de la fuente luminosa encendida. De lo contrario, pueden producirse quemaduras.
- Cuando irradie una prótesis en el modo progresivo, evite en lo posible colocar las manos entre la fuente luminosa y el plato giratorio utilizando, por ejemplo, una abrazadera. De lo contrario, su piel podría oscurecerse.



PRECAUCIÓN

- No debe tocarse la unidad de LED ni las zonas circundantes después de un tiempo prolongado de funcionamiento. De lo contrario, pueden producirse quemaduras.
- El mantenimiento, sobre todo si se realiza después de un uso prolongado, se debe llevar a cabo cuando la temperatura haya disminuido lo suficiente.



PRECAUCIÓN

< General >

- Asegure la estabilidad del aparato para evitar las vibraciones, los golpes o que se encuentre inclinado (entre otros).
- Si el aparato sufre daños o problemas de funcionamiento, deje de utilizarlo de manera inmediata, apague el interruptor principal y desconecte el enchufe de alimentación.
- No intente reparar la unidad averiada por sí mismo; llévesela a un experto y proporcíonele las indicaciones adecuadas.
- No utilice el aparato con las manos húmedas, ya que podría averiarse.
- Evite las salpicaduras de agua (u otros líquidos) sobre el aparato.
- No manipule líquidos ni polvos metálicos en la cámara de polimerización. Si penetraran líquidos o materiales peligrosos de forma accidental en la cámara, deje de utilizar el aparato y solicite su reparación.

< Instalación, montaje y almacenamiento >

- No instale el aparato en un lugar donde se almacenen productos químicos o se generen gases.
- No coloque objetos inflamables cerca del cuerpo principal. De lo contrario, existe peligro de incendio.
- No coloque equipos sensibles a la luz o al calor en las proximidades del aparato.
- Tenga en cuenta las características de la fuente de alimentación, tales como su frecuencia, tensión y corriente (o consumo).
- Use el cable de alimentación específico del aparato y su adaptador de corriente alterna.

< Uso >

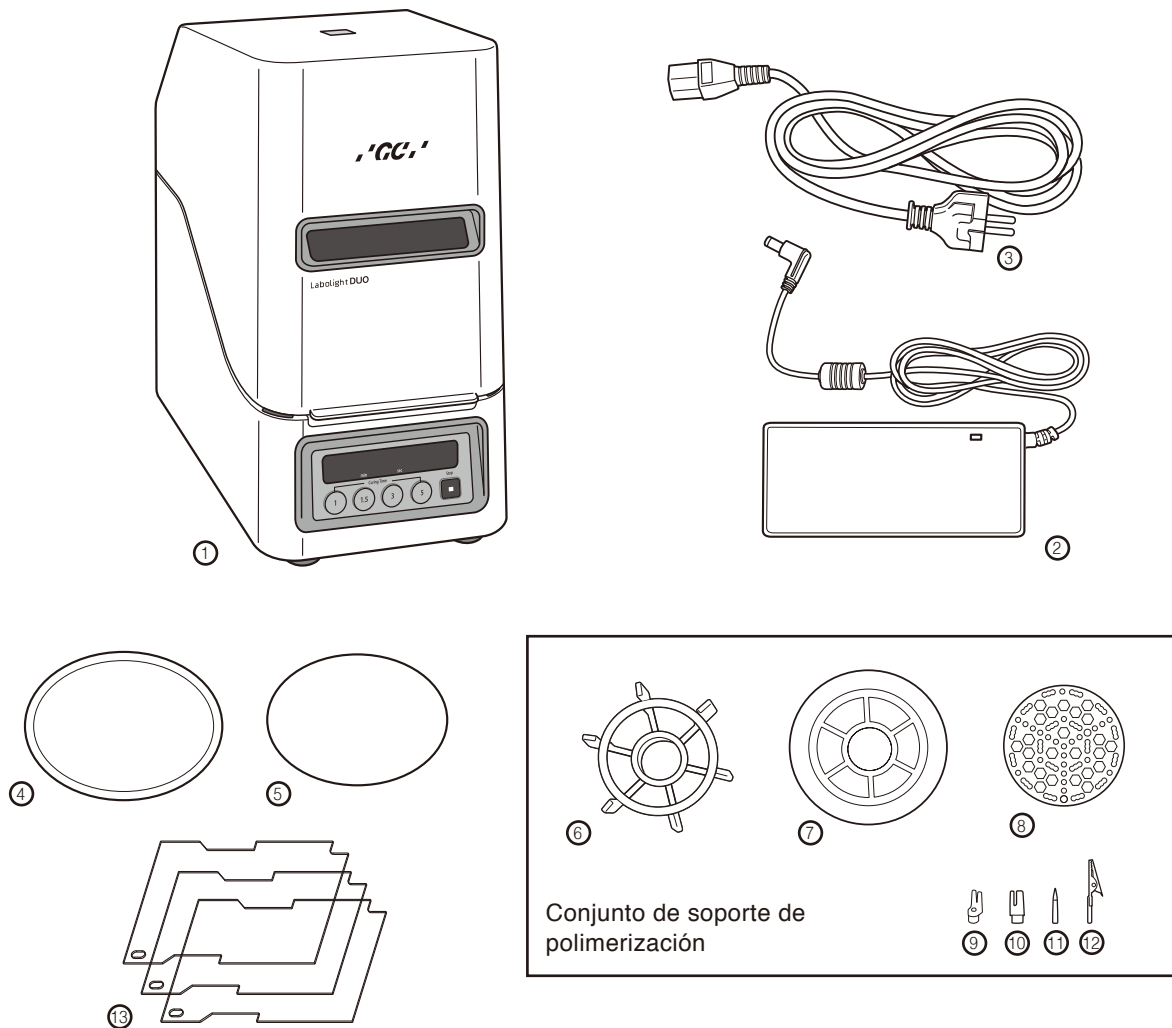
- No abra ni cierre la puerta con brusquedad. De lo contrario, podría causar daños a la puerta o los objetos que se encuentren en la cámara de polimerización.
- Cuando abra o cierre la puerta, no introduzca la mano u otra parte del cuerpo o el objeto por debajo de la puerta o el hueco. De lo contrario, pueden producirse daños personales o materiales.
- No toque el plato giratorio mientras está rotando. Existe la posibilidad de que sus dedos queden atrapados o de que el plato giratorio resulte dañado.
- Si algún objeto queda atrapado por el plato giratorio, detenga la rotación antes de extraer el objeto atrapado. Para ello, pulse el interruptor de parada o apague el interruptor principal.
- Limpie la contaminación de la tapa de la lente o sustituya la tapa contaminada. De lo contrario, la parte contaminada se calentará y puede hacer que la tapa se deforme o derrita.
- Los objetos sujetos a polimerización deben colocarse con la superficie que se polimeriza orientada hacia la fuente luminosa.
- Ajuste un tiempo de polimerización adecuado para el material utilizado.
- Compruebe siempre que el material se ha polimerizado perfectamente al terminar de procesarlo. En caso de una polimerización insuficiente, puede irradiarlo de nuevo.
- En el modo progresivo, no debe sujetar el compuesto directamente con las manos mientras se polimeriza, ya que podría quemarse con el compuesto caliente.
- En el modo completo, no retire con las manos el compuesto inmediatamente después de su polimerización, ya que podría quemarse con el compuesto caliente.

< Mantenimiento >

- Lleve a cabo comprobaciones regulares del equipo y sus componentes.
- Limpie la cámara de polimerización con regularidad, ya que, de no hacerlo, la contaminación de la cámara podría disminuir la eficiencia del proceso. Si se utiliza un desinfectante inflamable (por ejemplo, a base de alcohol isopropílico), la lámpara no se debe encender mientras aun queden vapores en la cámara, ya que existe el riesgo de incendio o explosión.
- Cambie la tapa de la lente con regularidad. De lo contrario podría deteriorarse el rendimiento por su envejecimiento y contaminación.
- Si el aparato se utiliza con la tapa de la lente desmontada, podría deteriorarse su rendimiento por la protección insuficiente de la lente. Utilice el aparato siempre con la tapa montada.

3. Descripción del producto

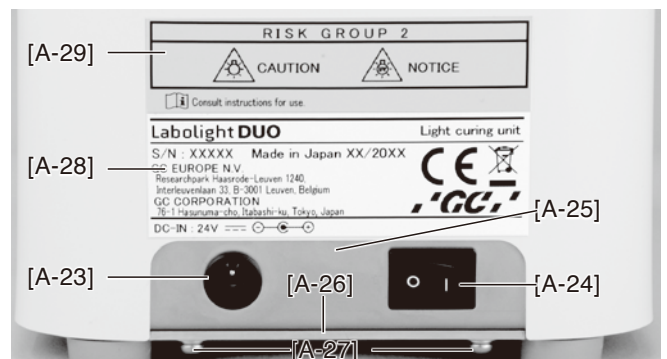
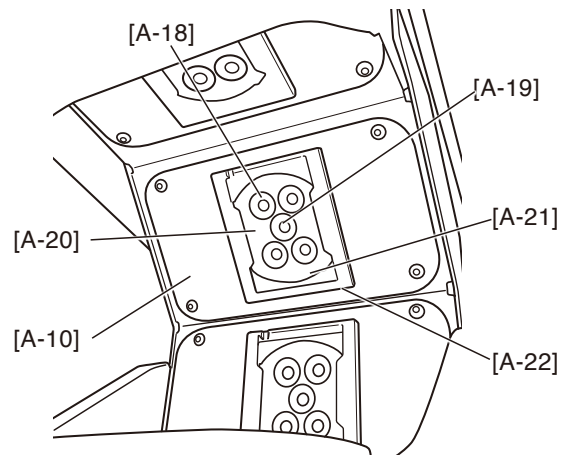
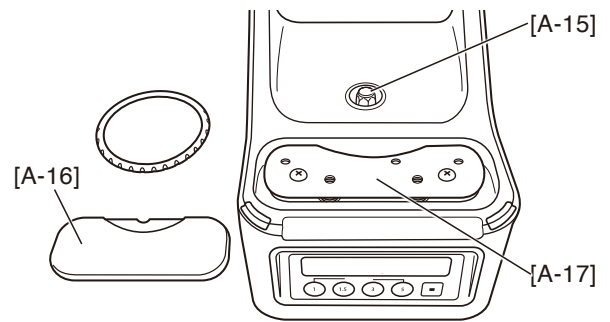
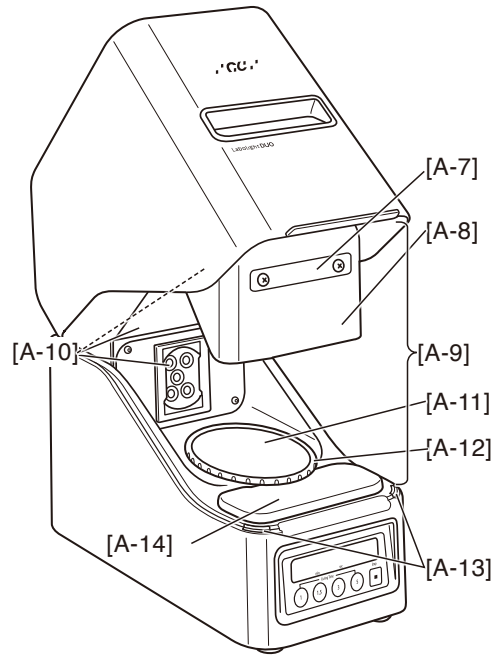
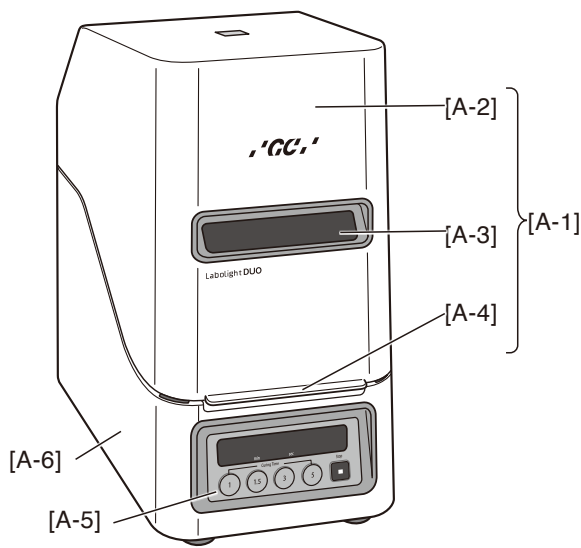
3.1 Contenido del paquete



N.º	Contenido		Cantidad
①	Cuerpo principal del Labolight DUO		1
②	Adaptador de corriente alterna		1
③	Cable de alimentación		1
④	Plato giratorio		1
⑤	Bandeja		1
⑥	Conjunto del pedestal de polimerización	Porta soporte de polimerización	2
⑦		Plato de polimerización	1
⑧		Soporte de polimerización	1
⑨		Espiga de silicona para posición anterior	4
⑩		Espiga de silicona para posición posterior	3
⑪		Espiga metálica	4
⑫	Pinza		1
⑬	Tapa de la lente (recambio/paquete de 3)		1
	Instrucciones de uso		1

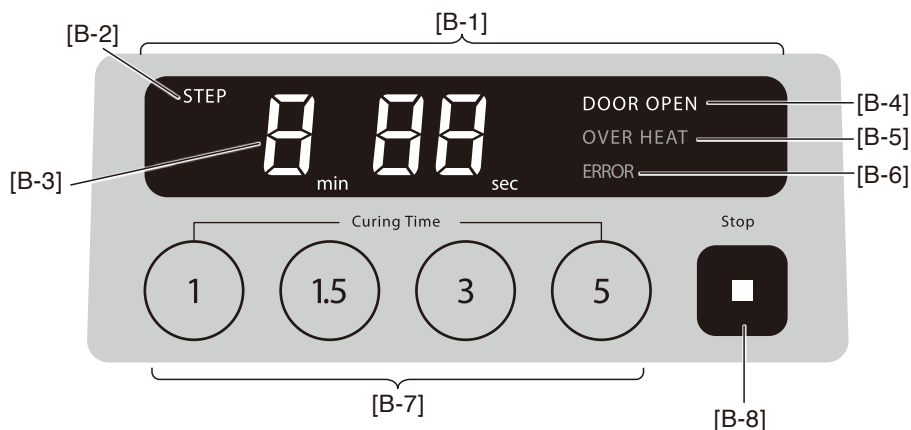
3.2 Nombres y funciones de los componentes





3.2.1 Cuerpo principal



N.º	Nombre
[A-1]	Puerta
[A-2]	Alojamiento superior
[A-3]	Ventana
[A-4]	Asa
[A-5]	Panel de control
[A-6]	Alojamiento inferior
[A-7]	Placa para fijar el visor
[A-8]	Visor
[A-9]	Cámara de polimerización
[A-10]	Unidad de LED (superior/central/inferior)
[A-11]	Bandeja
[A-12]	Plato giratorio
[A-13]	Amortiguación de la puerta (amortiguador)
[A-14]	Interruptor de modo progresivo
[A-15]	Eje del plato giratorio
[A-16]	Tapa del interruptor de modo progresivo
[A-17]	Placa del interruptor de modo progresivo
[A-18]	LED azul (4 lámparas en forma de circunferencia en cada unidad)
[A-19]	LED violeta (1 lámpara en el centro de cada unidad)
[A-20]	Lente
[A-21]	Tapa de la lente
[A-22]	Soporte de la tapa de la lente
[A-23]	Conector de alimentación
[A-24]	Interruptor principal
[A-25]	Soporte del interruptor principal (placa posterior)
[A-26]	Placa de base
[A-27]	Pie de goma
[A-28]	Placa de características
[A-29]	Etiqueta de precaución

3.2.2 Panel de mandos

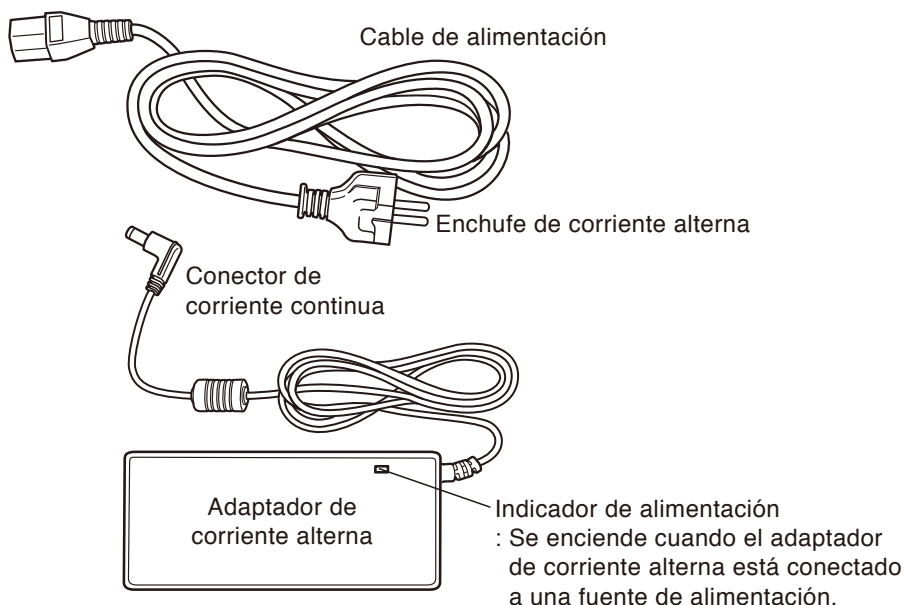


N.º	Nombre	Información
[B-1]	Pantalla	Muestra el estado de diversos dispositivos.
[B-2]	Indicador de modo progresivo	Se enciende durante la irradiación en el modo progresivo.
[B-3]	Marcador de tiempo	<ul style="list-style-type: none"> – Muestra el tiempo de irradiación restante en el modo progresivo o completo. – Parpadea cuando se detiene el funcionamiento de forma provisional. <p>Estado de espera con la puerta abierta (= estado de espera en el modo progresivo)</p>  <p>Estado de espera con la puerta cerrada (= estado de espera en el modo completo)</p>  <p>Cuando el modo completo finaliza correctamente, se muestra en la pantalla el mensaje "Fin".</p>  <p>Si se produce un error, se indica el número del error.</p> 
[B-4]	Indicador de apertura de puerta	Apagado: Indica que la puerta está cerrada. Encendido: Indica que la puerta está abierta.
[B-5]	Indicador de sobrecalentamiento	Parpadeante: Alarma de temperatura <ul style="list-style-type: none"> – Advierte que la temperatura de los LED es alta por el uso continuo. – Garantiza una pausa suficiente, ya que los LED están empezando a sobrecalentarse. Encendido: Sobrecalentamiento <ul style="list-style-type: none"> – Se enciende cuando se suspende la irradiación de forma provisional debido a la alta temperatura de los LED.
[B-6]	Indicador de error	Se enciende cuando se produce un error. (Puede consultar los detalles del error en el Capítulo 7, "Solución de problemas").
[B-7]	Botón de tiempo de polimerización (1/1,5/3/5)	Una pulsación inicia la irradiación en el modo completo. El tiempo de radiación es de 1, 1,5, 3 y 5 minutos, respectivamente. Las pulsaciones sucesivas añaden tiempo, hasta alcanzar un tiempo de irradiación continua total de 10 minutos.
[B-8]	Tecla de parada	Pulse esta tecla para detener la irradiación en el modo progresivo o completo, o bien cuando desee reanudar el funcionamiento después de una detención provisional.

Otros componentes

A-13]	Interruptor de modo progresivo	Una pulsación inicia la irradiación durante 10 segundos en el modo progresivo. Las pulsaciones sucesivas añaden tiempo, hasta alcanzar un tiempo de irradiación continua de 30 segundos.
-------	--------------------------------	---

3.2.3 Adaptador de corriente alterna y cable de alimentación



3.2.4 Placa de características/etiqueta de precaución

< Placa de características del cuerpo principal >

Labolight DUO	Light curing unit
S/N : XXXXX Made in Japan XX/20XX	
GC EUROPE N.V. Researchpark Haasrode-Leuven 1240, Interleuvenlaan 33, B-3001 Leuven, Belgium	
GC CORPORATION 76-1 Hasunuma-cho, Itabashi-ku, Tokyo, Japan	
DC-IN : 24V	

Labolight DUO	Light curing unit
S/N : XXXXX Made in Japan XX/20XX	
GC AMERICA INC. 3737 West 127th Street, Alsip, Illinois 60803 U.S.A.	
GC CORPORATION 76-1 Hasunuma-cho, Itabashi-ku, Tokyo, Japan	
DC-IN : 24V	

< Etiqueta de precaución del cuerpo principal >

RISK GROUP 2	
CAUTION	NOTICE
Consult instructions for use.	

ES

4. Método de instalación

4.1 Transporte

Nota

- Tome precauciones para evitar que el aparato sufra golpes, colocándolo en una posición nivelada durante el transporte.
- Use materiales específicos para embalaje.

Deseche todos los materiales de embalaje de acuerdo con la legislación vigente de reciclaje, con el fin de garantizar su eliminación y reciclaje seguros.

4.2 Desembalaje

Antes de la instalación y el montaje, compruebe que ha recibido todos los componentes (consulte la Sección 3.1, "Contenido del paquete"). Confirme también que el aparato no ha sufrido ningún daño durante el transporte.

Si falta algún componente o ha sufrido daños, póngase en contacto con el distribuidor o con GC.

4.3 Instalación

1) Instale el aparato teniendo en cuenta lo siguiente:

- Sitúe el aparato sobre un banco o plataforma nivelado e ignífugo.
- Consulte los parámetros de temperatura, humedad relativa y presión atmosférica en el entorno de uso en el Capítulo 9, "Características técnicas".
- Consulte las dimensiones y el peso del aparato en el Capítulo 9, "Características técnicas".

Área de instalación: Aprox. 200 × 350 mm

PRECAUCIÓN

- No instale el aparato en un lugar donde se almacenen productos químicos o se generen gases.
- No coloque objetos inflamables cerca del cuerpo principal. De lo contrario, existe peligro de incendio.
- No coloque equipos sensibles a la luz o al calor en las proximidades del aparato.

PRECAUCIÓN

- Asegure la estabilidad del aparato para evitar las vibraciones, los golpes o que se encuentre inclinado (entre otros).

Nota

- Cuando transporte el cuerpo principal, sujételo con las dos manos por la parte inferior y mantenga la puerta cerrada.
- Use el aparato en interiores.
- Instale el cuerpo principal en una superficie nivelada.
- Instale el aparato en un lugar donde no pueda sufrir los efectos adversos de la luz solar directa, polvo, humedad, aire que contenga sal o azufre, o la presencia de un radiador próximo.
- Instale el aparato en un lugar donde no esté expuesto a salpicaduras de agua.
- Instale el aparato en un lugar bien ventilado.

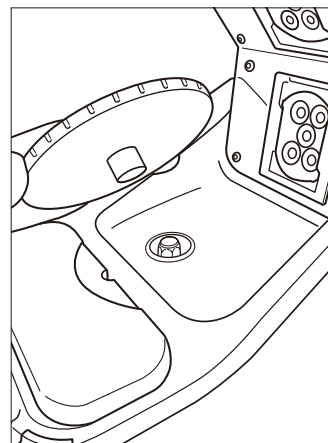
2) Asegúrese de tener espacio suficiente para abrir y cerrar la puerta.

PRECAUCIÓN

- Cuando abra o cierre la puerta, no introduzca la mano u otra parte del cuerpo o el objeto por debajo de la puerta o el hueco. De lo contrario, pueden producirse daños personales o materiales.

4.4 Montaje

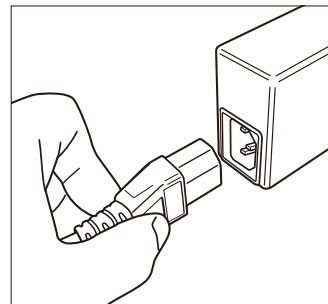
- 1) Sujete la puerta por el asa y tire de ella lentamente y girándola hacia arriba.
- 2) Alinee el plato giratorio con su eje.
*El aparato dispone de seis posiciones de alineamiento, separadas entre sí 60 grados, en las cuales el plato giratorio se puede introducir hasta el fondo. Seleccione una de estas seis posiciones.
- 3) Coloque una bandeja en el espacio cóncavo provisto en la superficie superior del plato giratorio.



PRECAUCIÓN

- Cuando abra o cierre la puerta, no introduzca la mano u otra parte del cuerpo o el objeto por debajo de la puerta o el hueco. De lo contrario, pueden producirse daños personales o materiales.

- 4) Conecte el cable de alimentación al adaptador de corriente alterna.
- 5) Enchufe el conector de corriente continua del adaptador de corriente alterna al conector de alimentación de la parte posterior del cuerpo principal.
- 6) Conecte el cable de alimentación a la salida de tres clavijas (100-240 CA).
*Consulte el Capítulo 10, "Características técnicas".
- 7) Confirme que el indicador de alimentación del adaptador de corriente alterna está encendido.
→ Si no está encendido, compruebe las conexiones.



PRECAUCIÓN

- Enchufe el cable de alimentación a una toma eléctrica provista de conexión a tierra.

PRECAUCIÓN

- Tenga en cuenta las características de la fuente de alimentación, tales como su frecuencia, tensión y corriente (o consumo).
- Use el cable de alimentación específico del aparato y su adaptador de corriente alterna.

Nota

- Utilice únicamente piezas y accesorios originales. El uso de piezas y accesorios no originales dará lugar a la extinción de la garantía y anulará cualquier responsabilidad por parte de GC.

4.5 Puesta en funcionamiento y comprobaciones

1) Encienda el interruptor principal, con la puerta cerrada, para verificar lo siguiente:

	Aparece el tiempo en la pantalla. (vea el Apartado 3.2.2)
--	---

2) Pulse una vez el interruptor de modo progresivo con la puerta abierta para verificar lo siguiente:

	Puede pulsar el interruptor de modo progresivo. Al soltarlo, el interruptor regresa a la posición original.
	Solo se encienden los LED de la fila superior. * No mire directamente a los LED durante esta operación.
	Se muestra en la pantalla el indicador de modo progresivo. El tiempo indicado en la pantalla se reduce en 10 segundos.
	No se iluminan con luz fuerte las personas u objetos de las proximidades, ni se refleja luz sobre ellas.



* Si se observa cualquier problema con el aparato, pulse la tecla de parada para detener la irradiación.



■ No mire directamente al aparato para comprobar la luz irradiada en el modo progresivo, incluso aunque la luz emitida sea baja. No introduzca ningún objeto que pueda desviar la luz hacia los ojos, ya que podría sufrir lesiones oculares.

3) Pulse el botón de tiempo de polimerización (un minuto) con la puerta abierta para verificar lo siguiente:

* Complete la verificación en un plazo de 20 segundos desde el momento en el que se detenga el aparato, dado que, si transcurre un periodo más prolongado, se determinará si existe un error de apertura de la puerta.

	Se enciende con poca intensidad al menos uno de los cuatro LED azules de las filas superior, central e inferior. * El LED violeta está apagado en este momento. * Es aceptable que se encienda cualquiera de los cuatro LED aunque, en casos muy raros, puede que los LED permanezcan apagados debido a que circula una corriente muy débil.
	Empieza a rotar la placa giratoria.
	La irradiación se detiene en 20 segundos.



* Si se observa cualquier problema con el aparato, pulse la tecla de parada para detener la irradiación.

4) Pulse el botón de tiempo de polimerización (un minuto) con la puerta cerrada para verificar lo siguiente:

	Al observar a través de la ventana, los LED de las filas central e inferior se encuentran encendidos.
	Cuando se observa a través de la ventana, el plato giratorio rota. (Si es difícil hacerse una idea, use el soporte de polimerización anexo).
	El tiempo presentado en la pantalla empieza a disminuir.
	La irradiación se detiene en un minuto.



* Si se observa cualquier problema con el aparato, pulse la tecla de parada para detener la irradiación.

 **PRECAUCIÓN**

- No mire de una manera continua y prolongada el interior de la cámara de polimerización a través de la ventanilla cuando esté activado el modo completo. Puede causar malestar.

 **PRECAUCIÓN**

- Si el aparato sufre daños o problemas de funcionamiento, deje de utilizarlo de manera inmediata, apague el interruptor principal y desconecte el enchufe de alimentación.

 **Nota**

- Antes de volver a poner en marcha el aparato después de un tiempo prolongado sin utilizarlo, compruebe siempre que funciona de una manera segura y normal.

4.6 Parada y almacenamiento

1) Cierre la puerta y apague el interruptor principal.

 **Nota**

- Si no va a utilizar la unidad durante un periodo de tiempo prolongado, se recomienda desenchufar el cable de alimentación para ahorrar energía.

 **PRECAUCIÓN**

- No conecte ni desconecte el enchufe con las manos húmedas. Peligro de descarga eléctrica.
- Cuando desenchufe un cable, no ejerza una fuerza excesiva sobre él, por ejemplo, tirando con fuerza.

2) Limpie el aparato para que pueda iniciarse sin problemas la próxima vez que vaya a utilizarse (consulte el Capítulo 6, “Mantenimiento”).

 **PRECAUCIÓN**

- Limpie la cámara de polimerización con regularidad, ya que, de no hacerlo, la contaminación de la cámara podría disminuir la eficiencia del proceso.

3) Guarde el aparato teniendo en cuenta lo siguiente:

- Consulte los parámetros de temperatura, humedad relativa y presión atmosférica del entorno de almacenamiento en el Capítulo 9, “Características técnicas”.

 **PRECAUCIÓN**

- Asegure la estabilidad del aparato para evitar las vibraciones, los golpes o que se encuentre inclinado (entre otros).

 **Nota**

- Instale el aparato en un lugar donde no pueda sufrir los efectos adversos de la luz solar directa, polvo, humedad, aire que contenga sal o azufre, o la presencia de un radiador próximo.
- Instale el aparato en un lugar donde no esté expuesto a salpicaduras de agua.

5. Método de funcionamiento

5.1 Método de funcionamiento básico

Nota

- Antes del uso, compruebe que el aparato funciona con normalidad.
- Preste especial atención a lo siguiente durante el uso del aparato:
 - Esté siempre atento a cualquier posible avería del polimerizador.
 - En caso de avería, tome las medidas apropiadas como, por ejemplo, apagar la unidad.

ADVERTENCIA

- El personal con problemas de fotosensibilidad, como las personas con alergia a la luz, no debe utilizar este aparato. Además, se deben tomar precauciones para evitar que la luz irradiada incida sobre personas fotosensibles, es decir, con alergia a la luz.
- Este aparato no debe ser utilizado por personas que tengan implantado un marcapasos, Puede afectar al funcionamiento de este dispositivo.

ADVERTENCIA

- Cuando repare una prótesis extraída de la cavidad bucal de un paciente, desinfectela antes de colocarla en el aparato. De lo contrario, se podrían transmitir infecciones.

- 1) Encienda el interruptor principal y confirme que aparece una indicación en la pantalla de tiempo. (vea el Apartado 3.2.2)
- 2) Polimerice un compuesto en el modo progresivo (consulte la Sección 5.2) o en el modo completo (consulte la Sección 5.3).

PRECAUCIÓN

- No mire directamente a la luz irradiada, ya que podría sufrir lesiones oculares.
- No irradie luz sobre un objeto que esté más próximo a la fuente luminosa que la distancia recomendada. El objeto podría calentarse.
- No coloque las manos cerca de la fuente luminosa encendida. De lo contrario, pueden producirse quemaduras.

PRECAUCIÓN

- Use un equipo protector adecuado como, por ejemplo, unas gafas que sean opacas a la transmisión de una luz de longitud de onda de 500 nm o menos, cuando trabaje con el aparato de una forma continua y prolongada o si padece trastornos como fotosensibilidad, cataratas o daños en la retina.

PRECAUCIÓN

- Accione el interruptor con los dedos y nunca con un instrumento afilado.

PRECAUCIÓN

- Cuando abra o cierre la puerta, no introduzca la mano u otra parte del cuerpo o el objeto por debajo de la puerta o el hueco. De lo contrario, pueden producirse daños personales o materiales.

PRECAUCIÓN

- Los objetos sujetos a polimerización deben colocarse con la superficie que se polimeriza orientada hacia la fuente luminosa.

PRECAUCIÓN

- Ajuste un tiempo de polimerización adecuado para el material utilizado.
- Compruebe siempre que el material se ha polimerizado perfectamente al terminar de procesarlo. En caso de una polimerización insuficiente, puede irradiarlo de nuevo.
- Limpie la contaminación de la tapa de la lente o sustituya la tapa contaminada. De lo contrario, la parte contaminada se calentará y puede hacer que la tapa se deforme o derrita.

3) Después del uso, cierre la puerta y apague el interruptor principal. (Consulte la Sección 4.6).

PRECAUCIÓN

- No debe tocarse la unidad de LED ni las zonas circundantes después de un tiempo prolongado de funcionamiento. De lo contrario, pueden producirse quemaduras.

Nota

- Si no va a utilizar la unidad durante un periodo de tiempo prolongado, se recomienda desenchufar el cable de alimentación para ahorrar energía.

5.2 Modo progresivo

Nota

- Use el modo progresivo únicamente para una polimerización previa.

1) Abra la puerta y confirme que se enciende el indicador de apertura de la puerta. (Estado en espera en el modo progresivo)



2) Coloque el objeto que desea polimerizar en la posición de polimerización recomendada (como se explica a continuación) y pulse el interruptor de modo progresivo.

- Se encienden inmediatamente los LED superiores y aparece en la pantalla el tiempo restante.
- Mientras está en curso la irradiación, cada pulsación del interruptor de modo progresivo suma 10 segundos al tiempo restante.
- Pueden añadirse 30 segundos como máximo.

PRECAUCIÓN

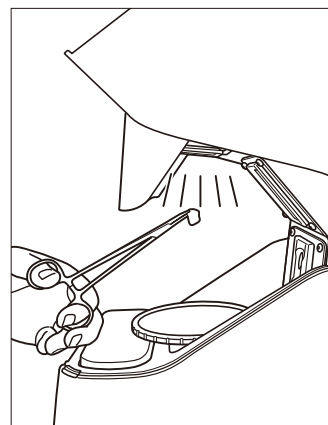
- No mire directamente al aparato para comprobar la luz irradiada en el modo progresivo, ya que podría sufrir lesiones oculares.
- Evite mirar la luz reflejada durante mucho tiempo, tomándose descansos cuando trabaje con el aparato en el modo progresivo durante un período de tiempo prolongado. Puede causar malestar.
- No coloque las manos cerca de la fuente luminosa encendida. De lo contrario, pueden producirse quemaduras.

PRECAUCIÓN

- Cuando irradie una prótesis en el modo progresivo, evite en lo posible colocar las manos entre la fuente luminosa y el plato giratorio utilizando, por ejemplo, una abrazadera. De lo contrario, su piel podría oscurecerse.

PRECAUCIÓN

- En el modo progresivo, no sujete el material compuesto directamente con las manos para polimerizarlo, ya que podría quemarse con el material compuesto caliente.



3) Al finalizar la irradiación luminosa, extraiga el objeto que se ha polimerizado.

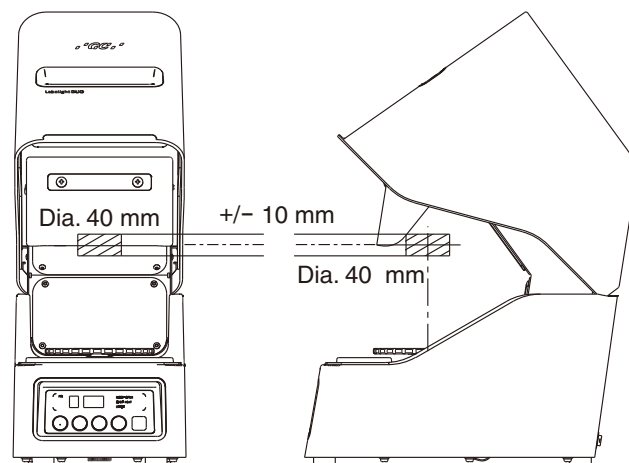
* Si el aparato se utiliza durante un tiempo prolongado, puede comenzar a parpadear el indicador de sobrecalentamiento, a causa de la alta temperatura que alcanzan los LED (advertencia de temperatura). Si aparece la advertencia de alta temperatura, se recomienda hacer una pausa por un periodo equivalente al tiempo de polimerización anterior.

* Si la temperatura sigue aumentando, el aparato detendrá el funcionamiento para permitir que se enfríen los LED, es decir, se desactivará la irradiación.

< Posición de polimerización recomendada en el modo progresivo >

Coloque el material compuesto en la zona representada con una trama en el diagrama.

(Zona con trama: dentro de un círculo de aproximadamente 40 mm de diámetro, inmediatamente encima del plato giratorio y a ± 10 mm del borde del visor)



5.3 Modo completo

1) Abra la puerta y coloque el objeto que desea polimerizar en el plato giratorio (consulte la Sección 5.4).

i Nota

- Use el plato giratorio para irradiar luz sobre un compuesto entero.
- Si polimeriza varios objetos a la vez, colóquelos de tal manera que ninguno proyecte una sombra sobre otro.

2) Compruebe que el indicador de puerta abierta no está encendido y cierre la puerta. (Estado en espera en el modo completo)



3) Pulse el botón de tiempo de polimerización correspondiente al tiempo recomendado para el objeto que desea polimerizar.

- Se inicia inmediatamente la irradiación y aparece en la pantalla el tiempo restante.
- Cada vez que pulse el botón de tiempo de polimerización mientras está en curso la irradiación se añadirá al tiempo restante el tiempo correspondiente al botón presionado. Pueden añadirse 10 minutos como máximo.

i Nota

- En el modo completo, vigile la rotación de plato giratorio por la ventana.

PRECAUCIÓN

- No mire de una manera continua y prolongada el interior de la cámara de polimerización a través de la ventanilla cuando esté activado el modo completo. Puede causar malestar.
- No irradie luz sobre un objeto que esté más próximo a la fuente luminosa que la distancia recomendada. El objeto podría calentarse.

PRECAUCIÓN

■ Si algún objeto queda atrapado por el plato giratorio, detenga la rotación antes de extraer el objeto atrapado. Para ello, pulse el interruptor de parada o apague el interruptor principal.

- * Pulse el botón de parada si desea detener la polimerización durante el proceso. Se activará el estado de espera.
 - * Se puede detener provisionalmente la polimerización abriendo la puerta durante el funcionamiento o pulsando el botón de tiempo con la puerta abierta. En este caso, solamente se encenderá el LED de una forma tenue y seguirá rotando el plato giratorio.
 - En 15 segundos, comenzará a sonar la alarma y, en 20 segundos, se emitirá un sonido de error y se detendrá el funcionamiento.
 - Si cierra la puerta antes de 20 segundos, se liberará la suspensión provisional y se reiniciará la irradiación en modo completo.
 - * Si el aparato se utiliza de forma continua durante un tiempo prolongado, puede comenzar a parpadear el indicador de sobrecalentamiento a causa de la alta temperatura que alcanzan los LED. (Advertencia de temperatura)
Si se emite la advertencia de temperatura, se recomienda llevar a cabo la irradiación durante un tiempo máximo de 5 minutos y después hacer una pausa durante un periodo equivalente al tiempo de irradiación. El tiempo máximo que puede ajustarse cuando se muestra la advertencia de temperatura es de 5 minutos.
 - * Si la temperatura sigue aumentando, se suspenderá el modo completo para poner en pausa los LED y el funcionamiento se reanudará de forma automática cuando estos se enfríen lo suficiente. Al pulsar la tecla de parada o si se mantiene la puerta abierta, el tiempo restante se restablece a cero.
- 4) Cuando el tiempo restante es "0", esto indica el final de la polimerización.
El final también se indica mediante un sonido y la indicación "Fin" en la pantalla.
Cuando aparezca esta información en la pantalla, abra la puerta y extraiga el objeto.



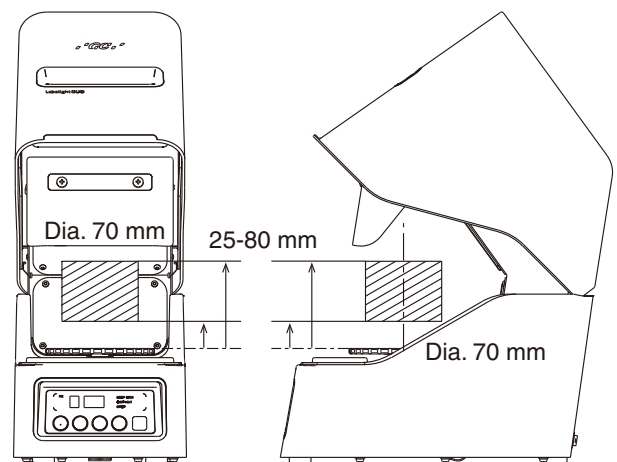
PRECAUCIÓN

■ En el modo completo, no retire con las manos el compuesto inmediatamente después de su polimerización, ya que podría quemarse con el compuesto caliente.

< Posición de polimerización recomendada en el modo completo >

Coloque un objeto que desee polimerizar en la zona representada con una trama en el diagrama.

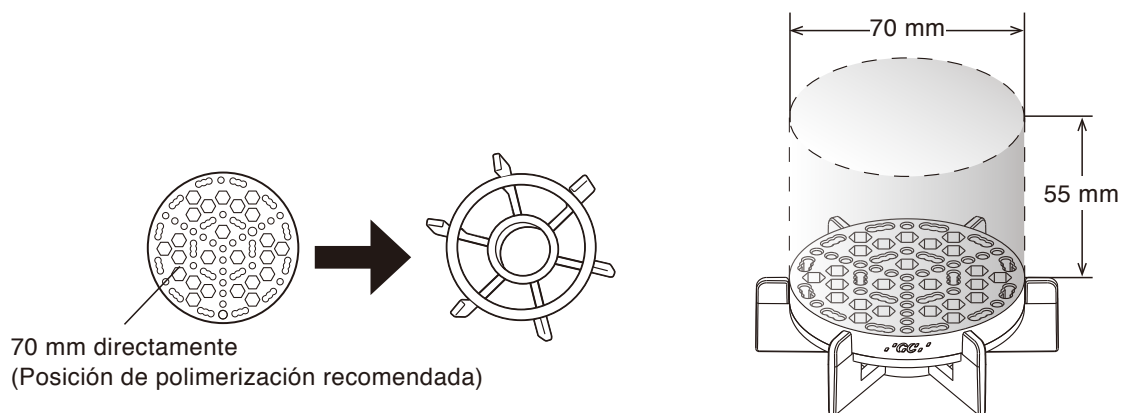
(Zona con trama: dentro de un círculo de un diámetro aproximado de 70 mm, inmediatamente encima del plato giratorio, y a una altura de 25 a 80 mm sobre la superficie superior del plato)



1) Una prótesis individual como una corona y puente
/ Una prótesis colocada en un modelo con perno

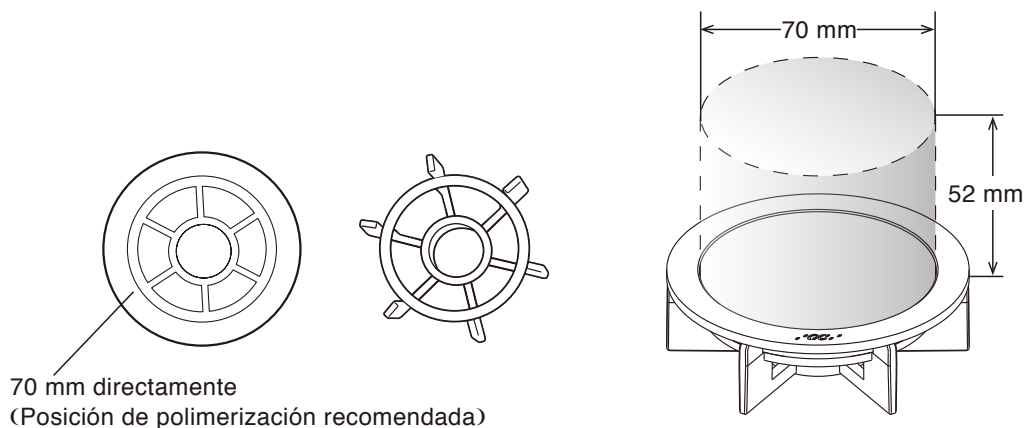
Uso del “Soporte de polimerización” y el “Porta soporte de polimerización”

(Para obtener más información acerca del Pedestal de polimerización, consulte la Sección 5.4)



2) Una prótesis o un diente artificial con una altura de 52 mm o menos colocada sobre un modelo

Uso del “Plato de polimerización” y el “Porta soporte de polimerización”



3) Una prótesis o un diente artificial con una altura de 52 mm o más colocada sobre un modelo

Colóquelos junto con el modelo sobre el plato giratorio.

i Nota

- Cuando coloque un objeto para polimerizarlo fuera del intervalo de polimerización recomendado, ajuste un tiempo de polimerización más bien prolongado, ya que el objeto podría no recibir suficiente luz.
- Tome precauciones si tiene que colocar una prótesis o un modelo fuera del diámetro exterior de 100 mm del plato giratorio o a una altura mayor de 80 mm, ya que pueden producirse interferencias entre el objeto sujeto a la polimerización o el modelo con el visor o la cámara de polimerización, lo cual daría lugar a una rotación incorrecta del plato giratorio o impediría su rotación.

5.4 Uso del método del conjunto de soporte de polimerización

Cuando trabaje con una prótesis individual (por ejemplo, una corona y un puente) o que está situada en un modelo con perno, utilice el soporte de polimerización y varias espigas, tal y como se explica en los siguientes ejemplos de uso.



Pinza
Sujeta una prótesis y se inserta en un agujero redondo o tres orificios redondos contiguos del soporte de polimerización.



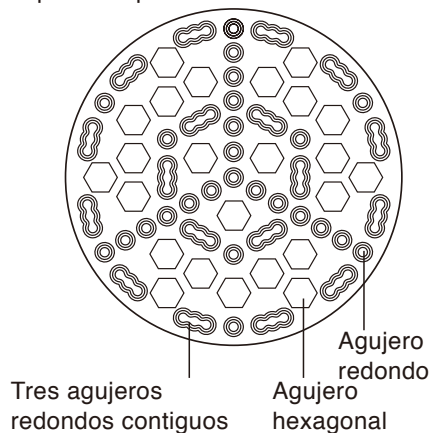
Espiga metálica
Recibe una prótesis y se inserta en un agujero redondo o tres orificios redondos contiguos del soporte de polimerización.



Espiga de silicona
Recibe una prótesis y se inserta en un agujero hexagonal del soporte de polimerización. Corte la parte del saliente que requiera para el uso.



soporte de polimerización



Prótesis colocada en un modelo con un perno

El modelo con una prótesis se coloca en el soporte de polimerización insertando el pasador en el orificio hexagonal del pedestal.

6. Mantenimiento

6.1 Comprobación

Para llevar a cabo comprobaciones y operaciones de mantenimiento, tenga en cuenta los siguientes intervalos recomendados a modo de indicación:

PRECAUCIÓN

- Lleve a cabo comprobaciones regulares del equipo y sus componentes.

	Contenido	Detalles
Comprobación diaria	Verificación del encendido de los LED Verificación del estado del plato giratorio	Tras pulsar el botón de tiempo con la puerta abierta, confirme que se iluminan los LED respectivos y que el plato giratorio rota correctamente. Cualquier problema aquí produciría un defecto de polimerización. (Para obtener más información, consulte la Sección 4.5, "Puesta en funcionamiento y comprobaciones").
	Comprobación de contaminación en la tapa de la lente	Limpie la tapa de la lente si está contaminada. (Consulte la Sección 6.2, "Limpieza y sustitución de cada componente").
Comprobación semanal	Firmeza de las conexiones	Confirme la firmeza de la conexión del adaptador de corriente alterna y el cable de alimentación, y compruebe si se ha acumulado polvo en estos componentes.
	Contaminación en el interruptor del modo progresivo	Limpie el polvo y la suciedad del interruptor del modo progresivo. (Consulte la Sección 6.2, "Limpieza y sustitución de cada componente").
	Comprobación de la presencia de contaminación en la cámara de polimerización	Limpie la contaminación de la cámara de polimerización. (Consulte la Sección 6.2, "Limpieza y sustitución de cada componente").
Sustitución de componentes	Cambio de la tapa de la lente (Intervalo de sustitución orientativo: 1 año *depende de la frecuencia de uso)	Una decoloración pronunciada, la contaminación o el rayado de la lente podrían dar lugar a defectos de polimerización. Cuando lleve a cabo las comprobaciones de la tapa de la lente, si encuentra problemas de decoloración, contaminación o rayado que no se pueden limpiar, cambie la tapa. * La tapa de la lente puede perder color por envejecimiento. (Consulte la Sección 6.2, "Limpieza y sustitución de cada componente").

PRECAUCIÓN

- Limpie la cámara de polimerización con regularidad, ya que, de no hacerlo, la contaminación de la cámara podría disminuir la eficiencia del proceso. Si se utiliza un desinfectante inflamable (por ejemplo, a base de alcohol isopropílico), la lámpara no se debe encender mientras aun queden vapores en la cámara, ya que existe el riesgo de incendio o explosión.

Nota

- Si falla una unidad de LED, las demás pueden seguir irradiando luz de forma correcta. No obstante, dado que se reduce la cantidad total de luz emitida, aumente el tiempo de polimerización y vigile el estado de esta. La unidad de LED estropeada debe repararse cuanto antes.

6.2 Limpieza y sustitución de componentes

Desenchufe el cable de alimentación para que la unidad no se active durante las operaciones de limpieza o mantenimiento.

PRECAUCIÓN

- El mantenimiento, sobre todo si se realiza después de un uso prolongado, se debe llevar a cabo cuando la temperatura haya disminuido lo suficiente.


PRECAUCIÓN


- Apague el interruptor principal y desconecte el cable de alimentación antes de limpiar o cambiar componentes.

6.2.1 Método para limpiar cada componente

PRECAUCIÓN

- Limpie la cámara de polimerización con regularidad, ya que, de no hacerlo, la contaminación de la cámara podría disminuir la eficiencia del proceso.

Contenido	Detalles
Tapa de la lente	<p>Limpie con un paño suave humedecido ligeramente con agua o alcohol.</p> <p>* En caso de decoloración, contaminación o rayado que no puedan limpiarse, cambie la tapa de la lente.</p> <p>* La tapa de la lente puede perder color por envejecimiento.</p> <div style="border: 1px solid black; padding: 5px; text-align: center;"><h3> PRECAUCIÓN</h3><ul style="list-style-type: none">■ Limpie la contaminación de la tapa de la lente o sustituya la tapa contaminada. De lo contrario, la parte contaminada se calentará y puede hacer que la tapa se deforme o derrita.■ Si el aparato se utiliza con la tapa de la lente desmontada, podría deteriorarse su rendimiento por la protección insuficiente de la lente. Utilice el aparato siempre con la tapa montada.</div>
Plato giratorio	<p>Limpie con un paño suave humedecido ligeramente con agua o alcohol.</p> <p>* Levante el plato giratorio para desmontarlo.</p> <p>* Para volver a montar el plato giratorio, gírelo hasta encontrar una de las seis posiciones (separadas 60 grados entre sí) donde el plato giratorio penetra profundamente en el interior.</p>

Contenido	Detalles	
Interruptor de modo progresivo	<p>Limpie con un paño suave humedecido ligeramente con agua o alcohol.</p> <p>Si se acumula suciedad en un hueco, retire la tapa del interruptor de modo progresivo y limpie con, por ejemplo, un bastoncillo de algodón.</p> <p>(Consulte el método de extracción en el Apartado 6.2.3)</p>	
Visor	En principio, limpie con un paño suave humedecido ligeramente con agua o alcohol.	
Alojamiento, cámara de polimerización	En principio, limpie con un paño suave humedecido ligeramente con agua o alcohol.	
Porta soporte de polimerización	En principio, limpie con un paño suave humedecido ligeramente con agua o alcohol.	
Bandeja Espiga metálica Pinza	<p>En principio, limpie con un paño suave humedecido ligeramente con agua o alcohol.</p> <p>* El aparato puede desinfectarse con soluciones químicas.</p> <p>* El aparato puede esterilizarse en autoclave</p>	
Plato de polimerización Soporte de polimerización Espiga de silicona	<p>En principio, limpie con un paño suave humedecido ligeramente con agua o alcohol.</p> <p>* El aparato puede desinfectarse con soluciones químicas.</p> <p>* Puede esterilizarse en autoclave (no obstante, puede deteriorarse si se esteriliza de forma reiterada).</p>	

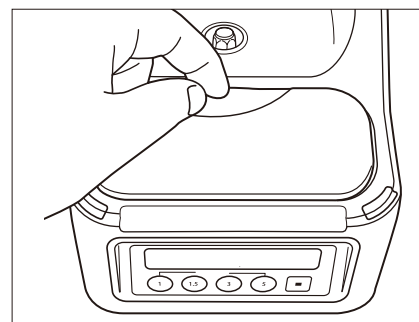
i Nota

- Limpie la unidad con un paño suave humedecido ligeramente con agua o alcohol. No utilice solventes orgánicos (disolvente, gasolina, etc.).
- El aparato podría mancharse de blanco en los lugares donde se adhiera el disolvente orgánico. Limpie inmediatamente las manchas de disolvente.

6.2.2 Método para desmontar/volver a montar la tapa del interruptor del modo progresivo

< Método de Desmontaje >

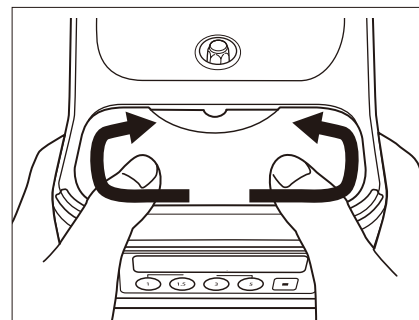
Después de desmontar el plato giratorio, extraiga la tapa sujetándola con los dedos por las muescas.



< Método de montaje >

Alinee el saliente de la tapa del interruptor de modo progresivo con el orificio de la placa de dicho interruptor e inserte el saliente en el orificio.

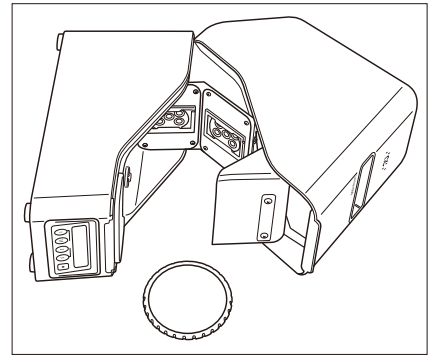
* Podrá llevar a cabo esta operación con mayor facilidad si repasa la circunferencia de la placa con el saliente de la tapa antes de apretar el saliente en el orificio.



6.2.3 Método para montar la tapa de la lente

< Preparación >

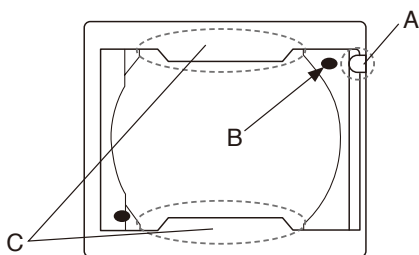
- 1) Apague la alimentación y desenchufe el adaptador de corriente alterna.
- 2) Extraiga el plato giratorio y tienda el cuerpo principal sobre uno de sus lados.



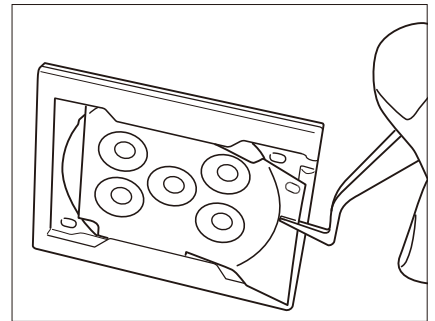
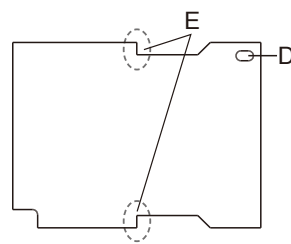
< Método de extracción >

- 3) Inserte una uña o unas pinzas en el espacio formado [A] entre el soporte y la tapa de la lente a través de la concavidad del soporte, y deslice la tapa hacia la parte cóncava [A].

Soporte de la tapa de la lente

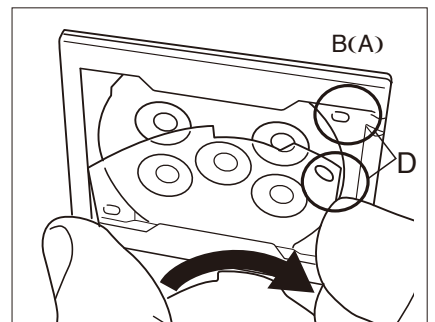


Tapa de la lente

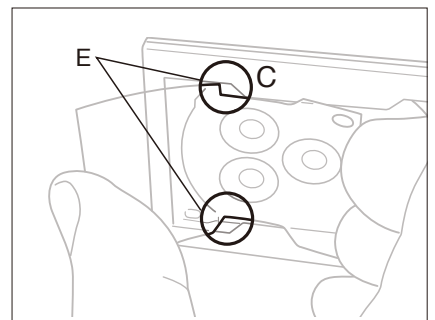


< Método de montaje >

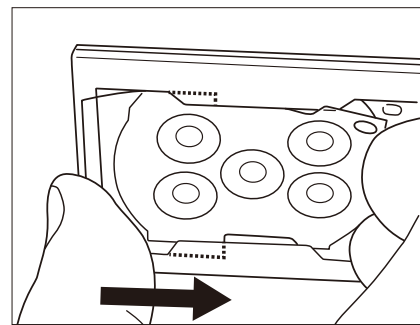
- 4) Dado que el perfil de las superficies delantera y trasera de la tapa de la lente no es igual, asegúrese de que sea correcta la orientación donde el orificio de la tapa de la lente [D] se alinea con el saliente del soporte de la tapa, junto a la concavidad [B(A)].



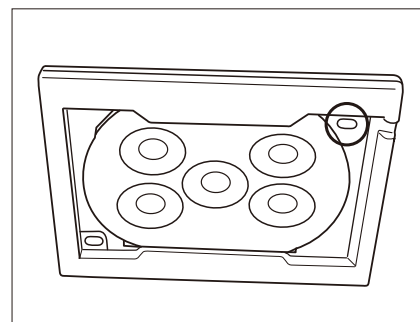
- 5) Doble ligeramente la tapa de la lente hacia el exterior e inserte la muesca [E] en el ala del soporte de la lente [C].



6) Deslice la tapa de la lente para montarla.



7) Confirme que los salientes del soporte de la tapa de la lente [B] estén acoplados con el orificio de la tapa [D].



7. Solución de problemas

Antes de solicitar la reparación de una aparente avería, lleve a cabo las siguientes comprobaciones. Si su problema no coincide con ninguno de los que aparecen en la siguiente tabla, póngase en contacto con su distribuidor o con nuestra sucursal u oficina de ventas.

Síntomas	Causas	Medidas
Al encender el interruptor principal, no se enciende el aparato (no aparece nada en la pantalla).	Cables desenchufados	Compruebe las conexiones del cuerpo principal, el interruptor de corriente alterna, el cable de alimentación y la toma eléctrica.
	Uso de un cable de alimentación y adaptador de corriente alterna diferentes	Confirme que se utilizan el cable de alimentación específico del aparato y su adaptador de corriente alterna.
	Defecto del adaptador de corriente alterna o el cable de alimentación	Sustituya el adaptador de corriente alterna o el cable de alimentación. Póngase en contacto con su distribuidor o con nuestra sucursal u oficina de ventas.
	Fusible fundido	Cambie el fusible del interior del aparato. Póngase en contacto con su distribuidor o con nuestra sucursal u oficina de ventas.
No se irradia luz en el modo progresivo.	Está encendido el indicador de sobrecalentamiento.	Detención temporal por sobrecalentamiento de uno o varios LED Antes de volver a poner en funcionamiento el aparato, espere a que se enfríen los LED. Si se repite un problema con frecuencia, póngase en contacto con su distribuidor o con nuestra sucursal u oficina de ventas.
	El indicador de apertura de la puerta no se enciende.	Problema de funcionamiento o avería del sensor de apertura/cierre de la puerta Abra la puerta por completo y vuelva a realizar la comprobación.
	Aunque en la pantalla no se indica nada anormal, la fila superior de LED no se enciende.	Avería o desconexión de uno o varios LED Sustituya la unidad de LED. Póngase en contacto con su distribuidor o con nuestra sucursal u oficina de ventas. Consulte el método de comprobación de los LED en el Capítulo 6.

Síntomas		Causas	Medidas
No se irradia luz en el modo completo.	El indicador de sobrecalentamiento está encendido y el tiempo restante parpadea en la pantalla.	Detención temporal por sobrecalentamiento de uno o varios LED (La irradiación se detiene de forma temporal).	Antes de volver a poner en funcionamiento el aparato, espere a que se enfríen los LED. Si se repite un problema con frecuencia, póngase en contacto con su distribuidor o con nuestra sucursal u oficina de ventas.
	El indicador de sobrecalentamiento está encendido y se muestra "Fin" en la pantalla.	Detención temporal por sobrecalentamiento de uno o varios LED (La irradiación ha finalizado).	Antes de volver a poner en funcionamiento el aparato, espere a que se enfríen los LED. Si se repite un problema con frecuencia, póngase en contacto con su distribuidor o con nuestra sucursal u oficina de ventas.
	Aunque en la pantalla no se indica nada anormal, los LED no se encienden.	Avería o desconexión de uno o varios LED	Sustituya la unidad de LED. Póngase en contacto con su distribuidor o con nuestra sucursal u oficina de ventas. Consulte el método de comprobación de los LED en el Capítulo 6.
En el modo completo, la luz es excesivamente débil o se deteriora el rendimiento de la polimerización.	El indicador de la puerta se enciende al comienzo de la irradiación, en el modo completo, y no se muestra en la pantalla una cuenta atrás.	Detención provisional por apertura de la puerta	Compruebe si hay algún objeto que obstaculiza la apertura de la puerta. Cierre completamente la puerta antes del uso.
	No se indica nada anormal en la pantalla y todos los LED están encendidos.	Componentes ópticos contaminados o rayados	La emisión luminosa puede reducirse si los componentes ópticos presentan contaminación o están rayados. Limpie el interior de la cámara de polimerización y la tapa de la lente o sustituya la tapa, según sea preciso (consulte el Capítulo 6).
	Aunque en la pantalla no se indica nada anormal, no se enciende ningún LED.	Avería o desconexión de uno o varios LED	Sustituya la unidad de LED. Póngase en contacto con su distribuidor o con nuestra sucursal u oficina de ventas. Consulte el método de comprobación de los LED en el Capítulo 6.
El plato giratorio no rota.		Plato giratorio obstruido	Extraiga el plato giratorio y compruebe si se han depositado materiales extraños en la superficie trasera o en el eje.
El plato giratorio no rota.		Avería del motor del plato giratorio	Cambie el motor. Póngase en contacto con su distribuidor o con nuestra sucursal u oficina de ventas.

Síntomas	Causas	Medidas
Se genera un error y el aparato no funciona (se enciende el indicador de error).	Se muestra "E01" en la pantalla.	Sensor de temperatura defectuoso Puede que la unidad haya detectado una temperatura excesivamente alta o baja, o que el sensor de temperatura no funcione. Interrumpa inmediatamente el uso del aparato y compruebe si tiene algún defecto. Use el aparato en un rango de temperaturas de entre 10 y 40 °C. Si el problema persiste incluso después de encender el interruptor principal a una temperatura de trabajo normal, póngase en contacto con el distribuidor o con nuestra sucursal u oficina de ventas.
	Se muestra "E02" en la pantalla.	Desconexión de los LED de la fila superior o posible defecto del sensor de temperatura Se notifica un error cuando finaliza la irradiación, por ejemplo, se detecta un error de temperatura de los LED de la fila superior durante la irradiación en el modo completo. Si se produce este error, compruebe la fila superior de LED (consulte el Capítulo 6). El error se restablece encendiendo otra vez el interruptor principal.
	Se muestra "E03" en la pantalla.	El interruptor de modo progresivo permanece presionado Compruebe la presencia de suciedad que pueda mantener el interruptor presionado. Limpie el interruptor (consulte el Capítulo 6). Al apagar el interruptor, se restablece el error.
	Se muestra "E04" en la pantalla.	Avería o desconexión del LED violeta en la fila superior de LED El error se restablece encendiendo otra vez el interruptor principal. Si ocurre el mismo error cada vez que se utiliza el modo completo/escalonado, cambie la unidad de LED. Póngase en contacto con su distribuidor o con nuestra sucursal u oficina de ventas.
	Se muestra "E05" en la pantalla.	Avería o desconexión del LED violeta en la unidad central de LED El error se restablece encendiendo otra vez el interruptor principal. Si ocurre el mismo error cada vez que se utiliza el modo completo, cambie la unidad de LED.
	Se muestra "E06" en la pantalla.	Avería o desconexión del LED violeta en la unidad inferior de LED Póngase en contacto con su distribuidor o con nuestra sucursal u oficina de ventas.

*Dado que cualquier otro síntoma aparte de los recogidos en esta lista puede indicar una avería del producto, póngase en contacto con su distribuidor o nuestra sucursal u oficina de ventas.

Nota

- Si falla una unidad de LED, las demás pueden seguir irradiando luz de forma correcta. No obstante, dado que se reduce la cantidad total de luz emitida, aumente el tiempo de polimerización y vigile el estado de esta. La unidad de LED estropeada debe repararse cuanto antes.

ADVERTENCIA

- No desmonte ni modifique el aparato, ya que podría provocar un sobrecalentamiento, incendio o rotura.

PRECAUCIÓN

- Si el aparato sufre daños o problemas de funcionamiento, deje de utilizarlo de manera inmediata, apague el interruptor principal y desconecte el enchufe de alimentación.
- No intente reparar la unidad averiada por sí mismo; llévesela a un experto y proporciónese las indicaciones adecuadas.

8. Garantía y reparación

Adoptamos todas las medidas posibles para garantizar la fabricación de productos de calidad. No obstante, si el producto que ha comprado presenta alguna avería durante el periodo de garantía, lo repararemos sin coste alguno para usted dentro del marco descrito para la garantía. Póngase en contacto con su distribuidor o con nuestra sucursal u oficina de ventas si es necesario.

Como fabricantes, no podemos hacernos responsables de los daños causados por el uso incompatible de este aparato o su utilización no conforme a estas Instrucciones de uso.

El aparato tiene el siguiente periodo de garantía. Además, tenga en cuenta que los consumibles (consulte la lista siguiente) no están cubiertos por la garantía.

Periodo de garantía: 1 año

Nota

- Se prohíbe expresamente abrir, desmontar o remodelar el aparato o utilizar el dispositivo de una forma no descrita en estas instrucciones.

< Lista de consumibles >

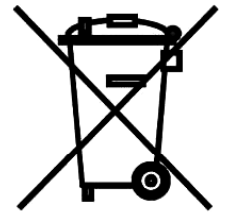
Descripción	Código
Porta soporte de polimerización 1 pieza	009139
Placa de polimerización 1 pieza	009140
Soporte de polimerización 1 pieza	009141
Espiga de silicona para posición anterior 1 pieza	009142
Espiga de silicona para posición posterior 1 pieza	009143
Espiga metálica 1 pieza	009144
Pinza 1 pieza	009145
Tapa de la lente 3 piezas	009146
Tapa del interruptor de modo progresivo 1 pieza	009147
Plato giratorio 1 pieza	009148
Bandeja 1 pieza	009149
Conjunto de pedestal de polimerización (Soporte del pedestal de polimerización x2, Placa de polimerización x1, Pedestal de polimerización x1, Espiga de silicona para anterior x4, Espiga de silicona para posterior x3, Espiga metálica x4, Pinza x1)	009138

Nota

- Utilice únicamente piezas y accesorios originales. El uso de piezas y accesorios no originales dará lugar a la extinción de la garantía y anulará cualquier responsabilidad del fabricante.

9. Eliminación

El producto está marcado con este símbolo para su reciclaje/eliminación de una forma responsable con el medioambiente. No desechar con los residuos normales. Este producto cumple con la Directiva europea 2012/19/UE (RAEE) y la legislación vigente en su país en materia de reciclaje/eliminación de una forma respetuosa con el medio ambiente. Pregunte a GC Europe o a su distribuidor de GC cuándo y dónde debe eliminar su producto.



10. Características técnicas

Nombre/Modelo		Labolight DUO
Fuente de luz	Número de fuentes luminosas	LED azul: 12 (4 x 3 unidades) LED violeta: 3 (1 x 3 unidades)
	Longitud de onda de máxima intensidad	LED azul: 465-485 nm LED violeta: 390-400 nm
	Longitud de onda	380nm – 510 nm (Típico)
Fuente de alimentación	Entrada del adaptador de corriente alterna	100-240 V CA, 50-60 Hz, 1,2 A MÁX
	Salida del adaptador de corriente alterna	24 V CC, 3,75 A
	Entrada del cuerpo principal	24 V CC (+/- 5 %), 60 VA
Dimensiones	Puerta cerrada	Ancho x fondo x alto: 159 x 290 x 297 mm
	Puerta abierta	Ancho x fondo x alto: 159 x 307 x 418 mm
Peso		Cuerpo: 5,3 kg (sin "Conjunto de soporte de polimerización") Adaptador de corriente alterna: 0,4 kg Cable de alimentación: 0,2 kg
Condiciones del entorno de uso		Únicamente para uso en interiores
		Temperatura: 10 - 40 °C
		Humedad relativa: 30-75 % HR
		Altitud hasta 2000 m o Presión barométrica 700-1060 hPa
		Categoría de instalación (categoría de sobretensión) II
Condiciones ambientales durante el transporte y almacenamiento		Fluctuaciones de tensión de la red eléctrica +/- 10 %
		Grado de polución 2
		Temperatura: -10 - 50 °C
		Humedad relativa: 30-75 % HR
		Altitud hasta 2000 m o Presión barométrica 700-1060 hPa

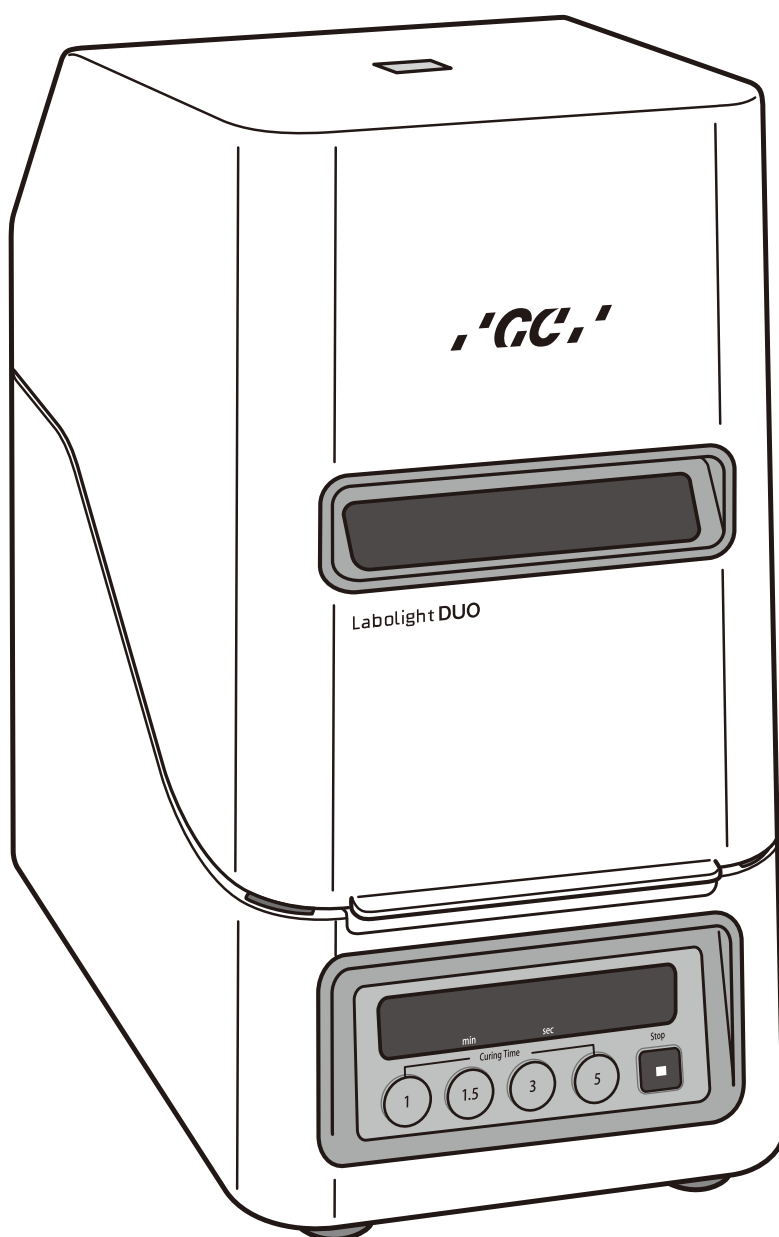
*Las características técnicas del producto están sujetas a cambios y mejoras sin previo aviso.

Labolight DUO

DWUMODUŁOWA LAMPA LED DO POLIMERYZACJI ŚWIETLNEJ ŻYWIC
KOMPOZYTOWYCH W TECHNICIE POŚREDNIEJ

Przed rozpoczęciem użytkowania należy
dokładnie przeczytać instrukcję obsługi.

Instrukcja obsługi



PL

GC

Spis treści

1. Wprowadzenie/Introducción	PL 4
1.1 Przeznaczenie	PL 4
1.2 Charakterystyka	PL 4
1.3 Symbole	PL 4
2. Bezpieczna obsługa urządzenia	PL 6
3. Opis produktu	PL 8
3.1 Zawartość opakowania	PL 8
3.2 Nazwy i funkcje części	PL 9
3.2.1 Główna jednostka	PL 9
3.2.2 Panel sterowania	PL 10
3.2.3 Zasilacz AC i przewód zasilający	PL 11
3.2.4 Tabliczka znamionowa/tabliczka ostrzegawcza	PL 11
4. Sposób instalacji	PL 12
4.1 Transport	PL 12
4.2 Rozpakowywanie	PL 12
4.3 Instalacja	PL 12
4.4 Montaż	PL 13
4.5 Uruchomienie i czynności kontrolne	PL 14
4.6 Zatrzymanie i przechowywanie	PL 15
5. Sposób obsługi	PL 16
5.1 Podstawowy sposób obsługi	PL 16
5.2 Tryb wstępny	PL 17
5.3 Tryb pełny	PL 18
5.4 Praca z zestawem stanowiska do utwardzania	PL 21
6. Konserwacja	PL 21
6.1 Czynności kontrolne	PL 21
6.2 Czyszczenie i wymiana części	PL 22
6.2.1 Sposób czyszczenia poszczególnych części	PL 22
6.2.2 Sposób demontażu/ponownego montażu osłony przełącznika trybu wstępnego	PL 23
6.2.3 Sposób wymiany osłony soczewki	PL 24
7. Rozwiązywanie problemów	PL 25
8. Gwarancja i naprawa	PL 28
9. Utylizacja	PL 29
10. Dane techniczne	PL 29



DEKLARACJA ZGODNOŚCI WE

z dyrektywa maszynową 2006/45/WE

19 czerwca 2015 r.

**GC EUROPE N.V.
Research Park
Interleuvenlaan 33
B-3001 Leuven
Belgia**

Zapewniamy i oświadczamy na naszą wyłączną odpowiedzialność, że wyrób:

Nazwa/model: Labolight DUO

objęty niniejszą deklaracją spełnia wymogi dyrektywy Rady

**2006/42/WE (dyrektywa maszynowa)
2014/30/UE (kompatybilność elektromagnetyczna) oraz
2014/35/UE (dyrektywa niskonapięciowa)**

oraz spełnia wymogi poniższych norm i innych dokumentów normatywnych:

- | | |
|------------------|--|
| IEC 61326-1:2012 | Wyposażenie elektryczne do pomiarów, sterowania i użytku w laboratoriach – Wymagania dotyczące kompatybilności elektromagnetycznej (EMC) – Część 1: Wymagania ogólne |
| IEC 61010-1:2010 | Wymagania bezpieczeństwa dotyczące elektrycznych przyrządów pomiarowych, automatyki i urządzeń laboratoryjnych – Część 1: Wymagania ogólne |
| IEC 62471:2006 | Bezpieczeństwo fotobiologiczne lamp i systemów lampowych |

Wyrób został wyprodukowany zgodnie z jego dokumentacją techniczną.

Leuven, 19/06/2015 r.
Data

.....
M. Aydin
Kierownik ds. zapewnienia jakości i
regulacji
W imieniu firmy GC Europe N.V.



GC Europe Head Office
Interleuvenlaan 33
B-3001 Leuven

1. Wprowadzenie

Dziękujemy za zakup urządzenia Labolight DUO.

Uwaga

– Aby zapewnić poprawne i bezpieczne użytkowanie urządzenia, należy przestrzegać instrukcji obsługi. Instrukcję obsługi należy przechowywać w miejscu łatwo dostępnym.

OSTRZEŻENIE

■ Aby zapewnić bezpieczeństwo użytkownika i właściwą obsługę urządzenia, należy stosować się do treści instrukcji obsługi. Jeśli urządzenie będzie użytkowane niezgodnie z niniejszą instrukcją, zapewniana przez nie ochrona może ulec osłabieniu.

Jako producent nie ponosimy odpowiedzialności za żadne zdarzenia, takie jak uszkodzenia spowodowane użytkowaniem tego urządzenia w sposób niezgodny z przeznaczeniem lub niestosowaniem się do instrukcji.

1.1 Przeznaczenie

Urządzenie służy do utwardzania światłem kompozytów dentystycznych.

OSTRZEŻENIE

■ Urządzenie obsługiwać może wyłącznie wykwalifikowany personel stomatologiczny.

Wskazówka





● Urządzenie Labolight DUO należy użytkować wyłącznie w przypadku kompozytów dentystycznych, gdyż zasadniczo takie jest jego przeznaczenie.




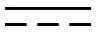

1.2 Charakterystyka

- 1) Labolight DUO jest opartym na diodach LED urządzeniem stomatologicznym do utwardzania światłem.
- 2) Urządzenie Labolight DUO jest wyposażone w 12 niebieskich i 3 fioletowe diody LED, które umożliwiają utwardzanie wszystkich produktów kompozytowych GC.
- 3) Labolight DUO pozwala na wstępne utwardzanie przy otwartych drzwiczkach (tryb wstępny).

1.3 Symbole











Symbole stosowane w urządzeniu mają następujące znaczenie:

Symbole	Umiejscowienie	Znaczenie
	Naklejka ostrzegawcza	Należy odnieść się do instrukcji obsługi.
	Naklejka ostrzegawcza	UWAGA: Promieniowanie widzialne (światło) Produkt ten może emitować niebezpieczne promieniowanie optyczne. Nie należy patrzeć w kierunku źródła światła. Może to prowadzić do uszkodzenia wzroku.
	Naklejka ostrzegawcza	UWAGA: Promieniowanie ultrafioletowe Produkt emituje promieniowanie UV. Skóra i oczy powinny być jak najmniej ekspozowane na działanie tego promieniowania. Należy stosować odpowiednie osłony.
	Urządzenie LED	UWAGA: Powierzchnia może być gorąca. ■ Po zakończeniu pracy z urządzeniem przez dłuższy czas nie należy dotykać modułu LED ani jego okolicy, gdyż grozi to poparzeniem.

Symbole	Umiejscowienie	Znaczenie
	Wyłącznik główny	ON (Zasilanie włączone)
	Wyłącznik główny	OFF (Zasilanie wyłączone)
	Zasilacz AC	Prąd przemienny
	Tabliczka znamionowa Zasilacz AC	Prąd stały
	Tabliczka znamionowa Zasilacz AC	Polaryzacja złącza zasilania prądem stałym

*Opisy poszczególnych części, patrz rozdział 3.

Symbole pojawiające się w niniejszej instrukcji mają następujące znaczenie:

Symbole	Znaczenie
	OSTRZEŻENIE: - Ze względu na ryzyko poważnych obrażeń ciała lub uszkodzenia mienia należy podczas użytkowania urządzenia stosować się do ostrzeżeń. UWAGA: - Ze względu na możliwość drobniejszych obrażeń ciała lub uszkodzenia mienia należy podczas użytkowania urządzenia stosować się do uwag.
	UWAGA: Promieniowanie widzialne (światło) Produkt ten może emitować niebezpieczne promieniowanie optyczne. Nie należy patrzeć w kierunku źródła światła. Może to prowadzić do uszkodzenia wzroku.
	UWAGA: Promieniowanie ultrafioletowe Produkt emituje promieniowanie UV. Skóra i oczy powinny być jak najmniej ekspozowane na działanie tego promieniowania.
	UWAGA: Powierzchnia może być gorąca.
	UWAGA: Niebezpieczeństwo porażenia prądem.
	Zakaz
	Wskazówki: Ważne informacje i uwagi dotyczące obsługi urządzenia
	Należy odnieść się do instrukcji obsługi.
	Należy wyjąć wtyczkę sieciową z gniazda elektrycznego.
	Należy podłączyć zacisk uziomowy do uziemienia.

2. Bezpieczna obsługa urządzenia

Dla zapewnienia bezpiecznej obsługi urządzenia należy stosować się do poniższych ostrzeżeń i uwag.

OSTRZEŻENIE

- Urządzenie obsługiwać może wyłącznie wykwalifikowany personel stomatologiczny.
- Urządzenia nie mogą obsługiwać osoby wrażliwe na światło, np. z alergią na światło. Ponadto należy zapewnić, aby osoby wrażliwe na światło, np. z alergią na światło nie znajdowały się w pobliżu padającego światła.
- Urządzenia nie powinny obsługiwać osoby z rozrusznikiem serca, gdyż grozi to nieprawidłowym działaniem rozrusznika.
- Przy naprawie uzupełnienia protetycznego usuniętego z jamy ustnej pacjenta przed umieszczeniem w urządzeniu należy je zdezynfekować. Pozwoli to uniknąć infekcji. Jeśli zastosowany zostanie środek dezynfekujący palny (np. na bazie alkoholu izopropylowego), w komorze gromadzić się będą opary, które mogą być źródłem zapłonu/wybuchu przy włączaniu lampy.
- Zabrania się rozmontowywania lub modyfikacji urządzenia. Może to prowadzić do nagrzewania, zapłonu lub przebicia izolacji.
- Aby zapewnić bezpieczeństwo użytkownika i właściwą obsługę urządzenia, należy stosować się do treści instrukcji obsługi. Jeśli urządzenie będzie użytkowane niezgodnie z niniejszą instrukcją, bezpieczeństwo urządzenia może ulec pogorszeniu.

GRUPA RYZYKA 2 (IEC 62471)

UWAGA

Produkt ten może emitować niebezpieczne promieniowanie optyczne.

Nie należy patrzeć w kierunku źródła światła. Może to prowadzić do uszkodzenia wzroku.

- Nie należy spoglądać bezpośrednio na emitowane światło, gdyż jest to niebezpieczne dla oczu.
- Nie należy zaglądać do urządzenia w celu monitorowania naświetlania w trybie wstępnym. Jest to niebezpieczne dla oczu.
- Należy unikać nieustannego patrzenia na odbijane światło, robiąc sobie dłuższą przerwę przy pracy w trybie wstępnym. W przeciwnym wypadku może pojawić się dyskomfort.
- Nie należy patrzeć długotrwale i nieprzerwanie przez okienko komory utwardzania w trybie pełnym. W przeciwnym wypadku może pojawić się dyskomfort.
- W przypadku na przykład długotrwałej pracy, wrażliwości na światło, katarakty lub uszkodzonej siatkówki należy nosić odpowiednie okulary ochronne, które filtrują światło o długości fali 500 nm lub mniejszej.
- Nie należy naświetlać obiektu, który znajduje się bliżej źródła światła niż jest to zalecane. Może to prowadzić do nagrzewania obiektu.

WSKAZÓWKA

Produkt emituje promieniowanie UV.

Należy unikać kontaktu z oczami lub skórą. Należy stosować odpowiednie osłony.

- Nie należy zbliżać rąk do źródła światła. Grozi to poparzeniem.
- Przy naświetlaniu uzupełnienia protetycznego w trybie wstępnym należy w miarę możliwości unikać umieszczania rąk między źródłem światła i płytą obrotową, stosując na przykład szczypce. W przeciwnym razie po dłuższym użytkowaniu na skórze mogą pojawić się przebarwienia.

UWAGA

- Nie należy dotykać modułu LED i jego otoczenia jeżeli urządzenie było w użyciu przez dłuższy czas. Grozi to poparzeniem.
- Jeśli w związku z długotrwałym użytkowaniem konieczna jest konserwacja, należy dokonać jej po odpowiednim ostygnięciu urządzenia.

UWAGA

< Zalecenia ogólne >

- Należy zapewnić stabilność urządzenia, na przykład pod względem nachylenia, wibracji lub wstrząsów.
- W przypadku usterki lub uszkodzenia należy natychmiast zaprzestać pracy z urządzeniem, wyłączyć główny wyłącznik i wyciągnąć wtyczkę zasilającą.
- Nie należy podejmować samodzielnych prób naprawy urządzenia, ale zlecić to ekspertowi posiadającemu odpowiednie kwalifikacje.
- Nie należy obsługiwać urządzenia mokrymi rękami. Może to prowadzić do niepowodzenia.
- Należy chronić urządzenie przed rozbryzgami wody (lub innych cieczy).
- W komorze utwardzania nie należy umieszczać cieczy ani proszków metali. Jeśli do komory przypadkowo dostanie się ciecz lub niebezpieczny materiał, należy zaprzestać pracy z urządzeniem i przekazać je do naprawy.

< Instalacja, montaż i przechowywanie >

- Nie należy instalować urządzenia w miejscu przechowywania środków chemicznych lub wytwarzania gazu.
- Obok głównej jednostki urządzenia nie należy umieszczać palnych przedmiotów. Pozwoli to uniknąć pożaru.
- W otoczeniu urządzenia nie należy umieszczać żadnego sprzętu wrażliwego na światło lub ciepło.
- Należy zwrócić uwagę na parametry źródła zasilania, takie jak częstotliwość, napięcie i dozwolony prąd (lub pobór energii).
- Należy używać dołączonego przewodu zasilającego i zasilacza AC.

< Użytkowanie >

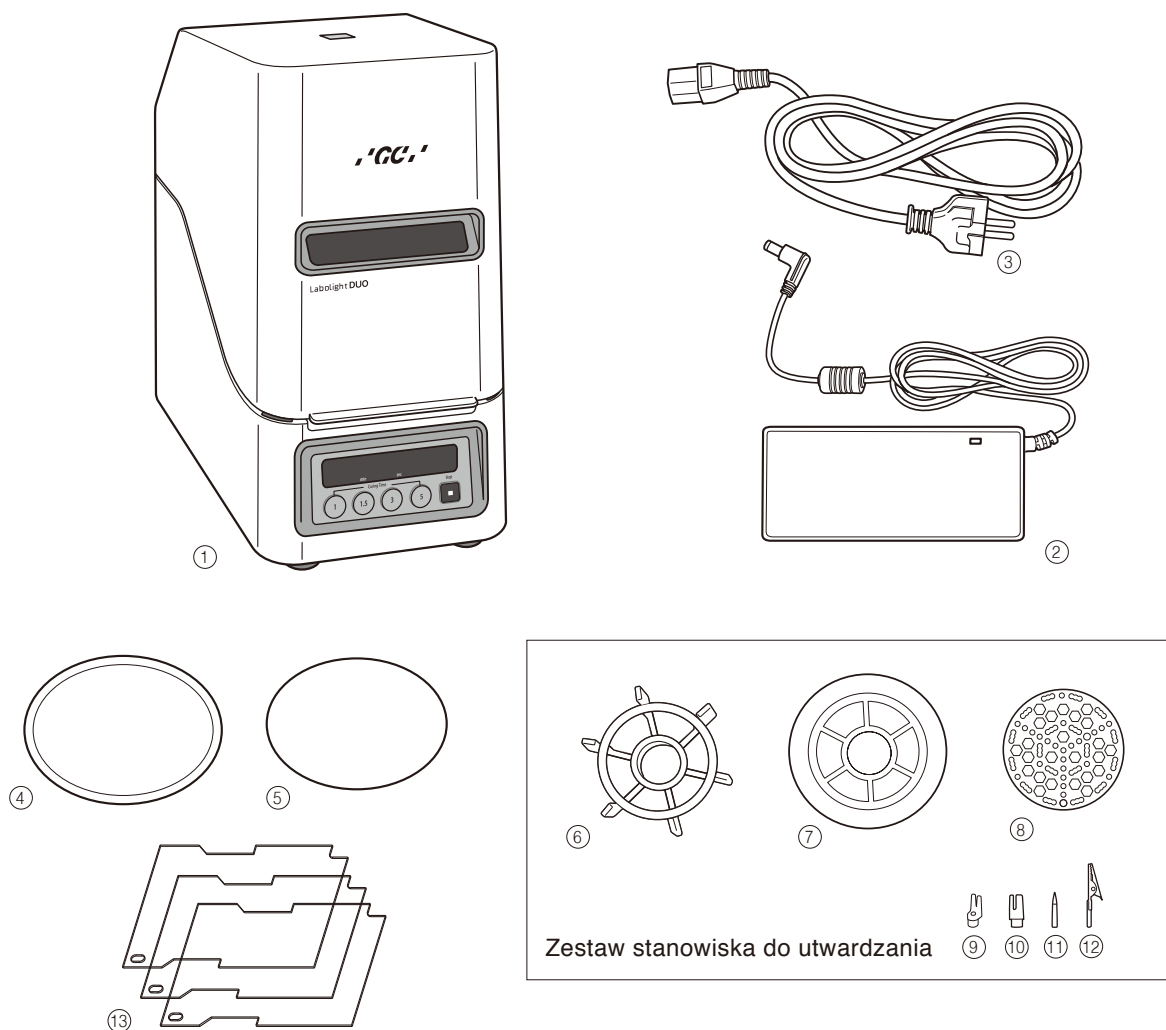
- Zabrania się szybkiego otwierania/zamykania drzwiczek. Może to prowadzić do uszkodzenia drzwiczek lub obiektu wewnątrz komory utwardzania.
- Należy zadbać o to, aby przy otwieraniu/zamykaniu drzwiczek pod drzwiczkami lub w szczelinie nie umieszczać rąk, innych części ciała ani przedmiotów. Może to prowadzić do uszkodzeń ciała lub mienia.
- Nie należy dotykać płyty obrotowej. Może to prowadzić do zakleszczenia palców lub uszkodzenia płyty obrotowej.
- W przypadku wciągnięcia czegokolwiek przez płytę obrotową należy przed usunięciem zablokowanego przedmiotu zatrzymać płytę, naciskając przycisk Stop lub główny wyłącznik.
- Zanieczyszczoną osłonę soczewki należy oczyścić lub wymienić. W przeciwnym razie zanieczyszczenia mogą się nagrzewać, prowadząc do odkształcenia lub topienia osłony.
- Utwardzany obiekt należy ustawić tak, aby był skierowany utwardzaną powierzchnią do źródła światła.
- Należy ustalić czas utwardzania odpowiedni do stosowanego materiału.
- Po zakończeniu procesu utwardzania należy sprawdzić, czy materiał został całkowicie utwardzony. W przypadku niewystarczającego utwardzenia należy przedłużyć naświetlanie.
- W trybie wstępnym nie należy trzymać utwardzanego kompozytu w rękach. Może to prowadzić do poparzeń przy kontakcie z gorącym kompozytem.
- W trybie pełnym nie należy wyjmować bezpośrednio po utwardzeniu kompozytu rękami z urządzenia. Może to prowadzić do poparzeń przy kontakcie z gorącym kompozytem.

< Konserwacja >

- Sprzęt i jego części składowe wymagają regularnego sprawdzania.
- Należy pamiętać o regularnym czyszczeniu komory utwardzania. Zanieczyszczona komora nie pozwala osiągnąć odpowiedniej wydajności utwardzania. Jeśli zastosowany zostanie środek dezynfekujący palny (np. na bazie alkoholu izopropylowego), w komorze gromadzić się będą opary, które mogą być źródłem zapłonu/wybuchu przy włączaniu lampy.
- Należy pamiętać o regularnej wymianie osłony soczewki. W przeciwnym razie może nastąpić spadek wydajności na skutek starzenia i zanieczyszczenia.
- Jeśli urządzenie będzie użytkowane bez zamontowanej osłony soczewki, może nastąpić pogorszenie wydajności na skutek niewłaściwej ochrony soczewki. Urządzenia należy używać z zamontowaną osłoną.

3. Opis produktu

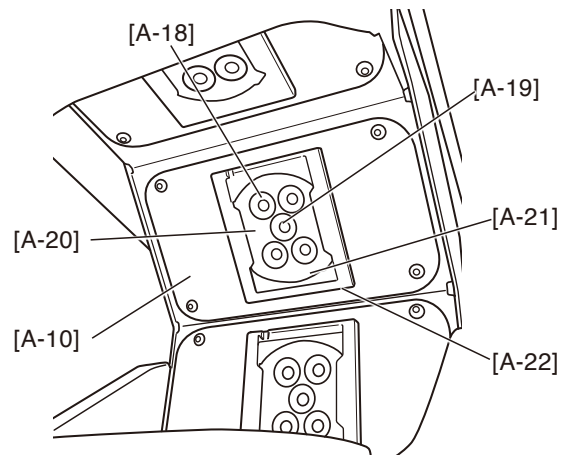
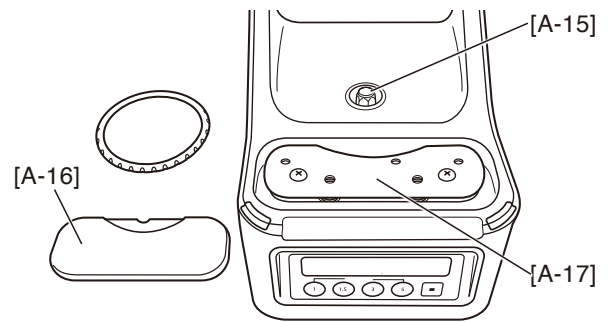
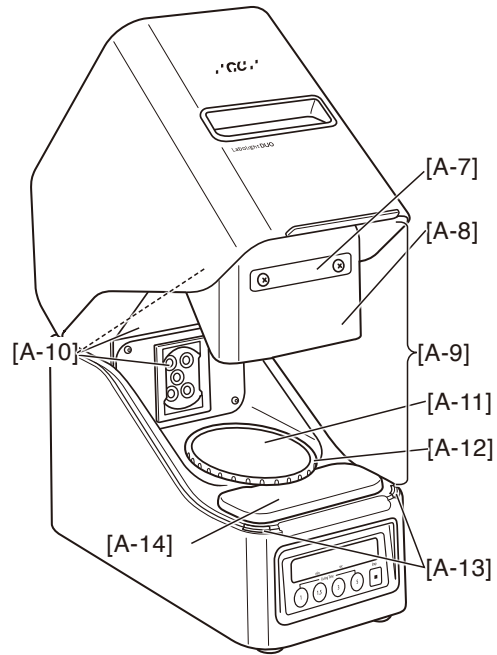
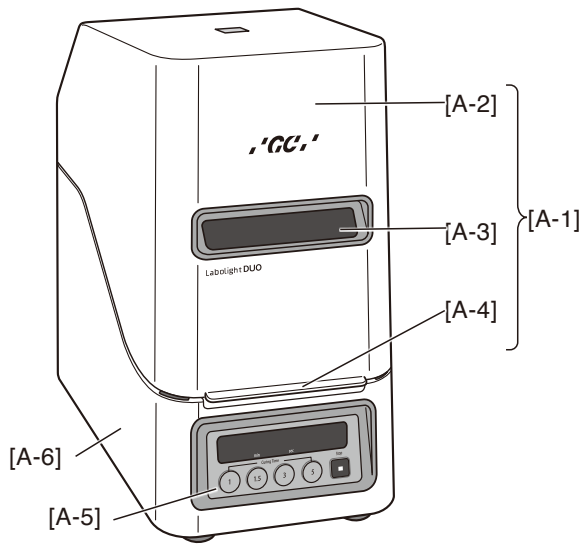
3.1 Zawartość opakowania



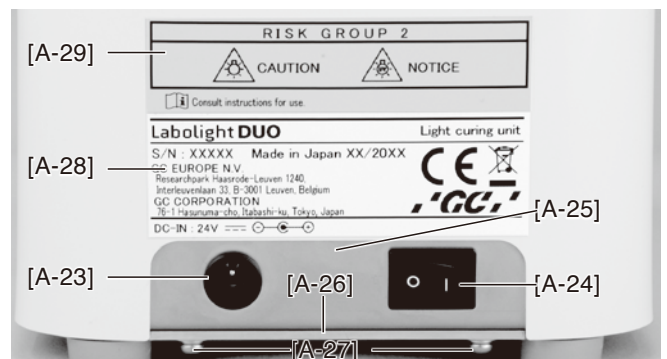
Nr	Zawartość	Liczba	
①	Główna jednostka Labolight DUO	1	
②	Zasilacz AC	1	
③	Przewód zasilający	1	
④	Płyta obrotowa	1	
⑤	Taca	1	
⑥	Zestaw stanowiska do utwardzania	Uchwyt podstawki do utwardzania	2
⑦		Płytko do utwardzania	1
⑧		Podstawka do utwardzania	1
⑨		Sztyft silikonowy przedni	4
⑩		Sztyft silikonowy tylny	3
⑪		Sztyft metalowy	4
⑫	Zacisk	1	
⑬	Ośłona soczewki (zapas/potrójne opakowanie)	1	
	Instrukcja obsługi	1	

3.2 Nazwy i funkcje części

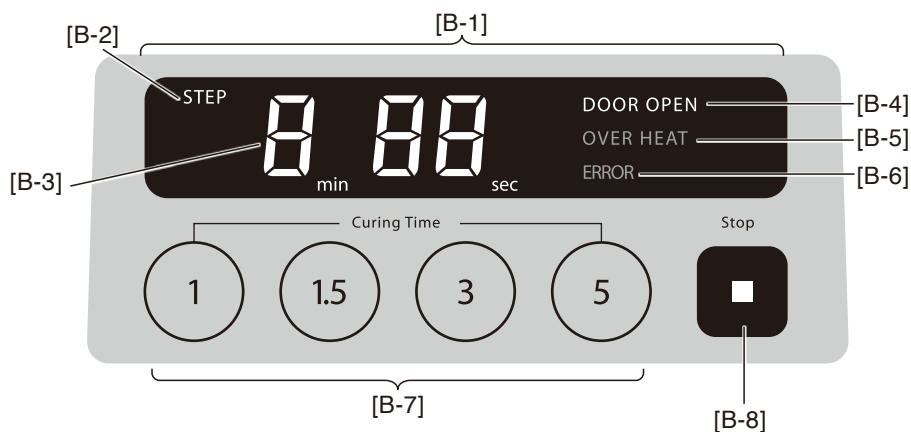
3.2.1 Główna jednostka





Nr	Nazwa
[A-1]	Drzwiczki
[A-2]	Górna część obudowy
[A-3]	Okienko
[A-4]	Uchwyt
[A-5]	Panel sterowania
[A-6]	Dolna część obudowy
[A-7]	Płytki mocująca osłony
[A-8]	Osłona
[A-9]	Komora utwardzania
[A-10]	Moduł LED (górny/środkowy/dolny)
[A-11]	Taca
[A-12]	Płyta obrotowa
[A-13]	Podkładka amortyzująca drzwiczki
[A-14]	Przełącznik trybu wstępnego
[A-15]	Oś płyty obrotowej
[A-16]	Osłona przełącznika trybu wstępnego
[A-17]	Płytki przełącznika trybu wstępnego
[A-18]	Niebieska dioda LED (4 lampki rozmieszczone na obwodzie każdego modułu)
[A-19]	Fioletowa dioda LED (1 lampka na środku każdego modułu)
[A-20]	Soczewka
[A-21]	Osłona soczewki
[A-22]	Uchwyt osłony soczewki
[A-23]	Złącze zasilania
[A-24]	Wyłącznik główny
[A-25]	Łącznik wyłącznika głównego (tylna płytki)
[A-26]	Płytki podstawowa
[A-27]	Gumowa nóżka
[A-28]	Tabliczka znamionowa
[A-29]	Naklejka ostrzegawcza



3.2.2 Panel sterowania

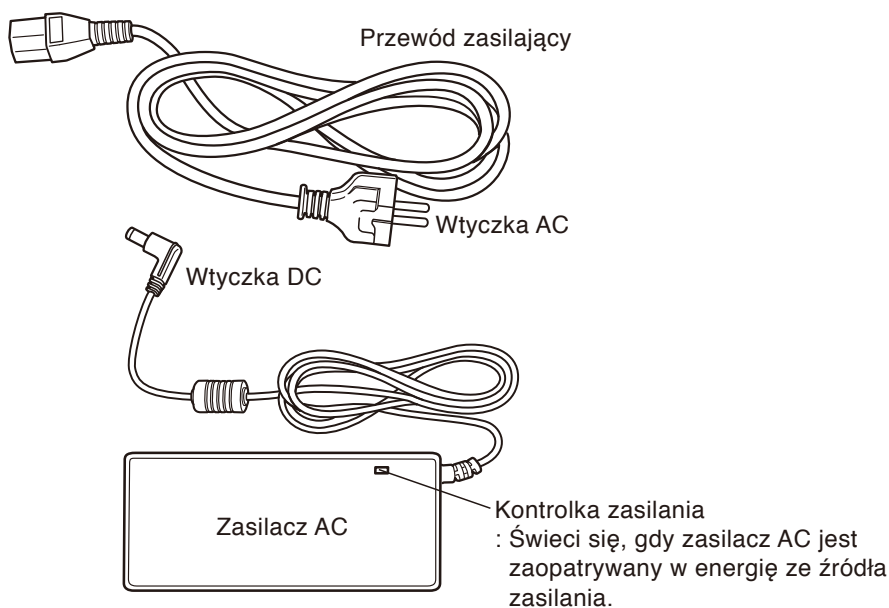


Nr	Nazwa	Informacja
[B-1]	Wyświetlacz	Wyświetla status różnych urządzeń.
[B-2]	Wskaźnik trybu wstępnym	Świeci się podczas naświetlania w trybie wstępnym.
[B-3]	Wyświetlacz czasu	<ul style="list-style-type: none"> – Wyświetla pozostały czas naświetlania w trybie wstępnym lub pełnym. – Migający wyświetlacz czasu wskazuje na tymczasowe wstrzymanie. <p>Stan gotowości przy otwartych drzwiczkach (=stan gotowości w trybie wstępnym)</p>  <p>Stan gotowości przy zamkniętych drzwiczkach (=stan gotowości w trybie pełnym)</p>  <p>Po poprawnym zakończeniu pracy w trybie pełnym wyświetla się „Fin”.</p>  <p>W przypadku wystąpienia błędu wyświetla się numer błędu.</p> 
[B-4]	Wskaźnik otwartych drzwiczek	Brak podświetlenia: drzwiczki zamknięte. Podświetlenie: drzwiczki otwarte.
[B-5]	Wskaźnik przegrzania	Miganie: alarm temperatury. – Ostrzega przed wysoką temperaturą diod LED przy ciągłym użytkowaniu. – Należy zapewnić odpowiednią przerwę, gdyż diody LED są bliskie przegrzaniu. Podświetlenie: przegrzanie. – Wskaźnik świeci się, gdy naświetlanie jest tymczasowo wstrzymane ze względu na wysoką temperaturę diod LED.
[B-6]	Wskaźnik błędu	Świeci się w przypadku wystąpienia błędu. (Informacje szczegółowe na temat błędów odnaleźć można w rozdziale 7 pt. „Rozwiązywanie problemów”.)
[B-7]	Przycisk czasu utwardzania (1/1,5/3/5)	Naciśnięcie skutkuje rozpoczęciem naświetlania w trybie pełnym. Czas naświetlania to odpowiednio 1; 1,5; 3 i 5 minut. Kolejne naciśnięcia dodają czas, umożliwiając wydłużenie czasu ciągłego naświetlania aż do 10 minut.
[B-8]	Przycisk zatrzymania	Należy go nacisnąć, aby zatrzymać naświetlanie w trybie wstępnym lub pełnym albo zresetować chwilowe wstrzymanie.

Inne elementy sterujące

[A-13]	Przełącznik trybu wstępnego	Naciśnięcie skutkuje rozpoczęciem naświetlania przez 10 sekund w trybie wstępnym. Kolejne naciśnięcia dodają czas, umożliwiając wydłużenie czasu ciągłego naświetlania do 30 sekund.
--------	-----------------------------	---

3.2.3 Zasilacz AC i przewód zasilający



3.2.4 Tabliczka znamionowa/tabliczka ostrzegawcza

< Tabliczka znamionowa na głównej jednostce urządzenia >

Labolight DUO	Light curing unit
S/N : XXXXX Made in Japan XX/20XX GC EUROPE N.V. Researchpark Haasrode-Leuven 1240, Interleuvenlaan 33, B-3001 Leuven, Belgium GC CORPORATION 76-1 Hasunuma-cho, Itabashi-ku, Tokyo, Japan	CE
DC-IN : 24V	

Labolight DUO	Light curing unit
S/N : XXXXX Made in Japan XX/20XX GC AMERICA INC. 3737 West 127th Street, Alsip, Illinois 60803 U.S.A. GC CORPORATION 76-1 Hasunuma-cho, Itabashi-ku, Tokyo, Japan	CE
DC-IN : 24V	

< Tabliczka ostrzegawcza na głównej jednostce urządzenia >

RISK GROUP 2	
CAUTION	NOTICE
Consult instructions for use.	

PL

4. Sposób instalacji

4.1 Transport

Wskazówka

- Na czas transportu urządzenie należy dobrze zabezpieczyć, aby ochronić je przed wstrząsami.
- Należy używać odpowiedniego materiału opakowaniowego.

Wszystkie materiały opakowaniowe powinny zostać odpowiednio zutylizowane lub poddane recyklingowi, zgodnie z aktualnie obowiązującymi przepisami.

4.2 Rozpakowywanie

Przed przystąpieniem do instalacji i montażu należy sprawdzić, czy dostarczone zostały wszystkie komponenty (patrz rozdział 3.1 pt. „Zawartość opakowania”). Co więcej, należy sprawdzić urządzenie pod kątem uszkodzeń transportowych.

W przypadku wykrycia brakujących lub uszkodzonych komponentów należy skontaktować się z dostawcą lub GC.

4.3 Instalacja

1) Przy instalacji urządzenia należy zadbać o to, aby:

- Umieścić urządzenie na stole lub podeście o równej, ognioodpornej powierzchni.
- Zapewnić w miejscu użytkowania odpowiednią temperaturę i wilgotność oraz właściwe ciśnienie atmosferyczne; patrz rozdział 9 pt. „Dane techniczne”.
- Mieć na uwadze wymiary i ciężar urządzenia; patrz rozdział 9 pt. „Dane techniczne”.

Obszar instalacji: Około 200x350 mm

UWAGA

- Nie należy instalować urządzenia w miejscu przechowywania środków chemicznych lub wytwarzania gazu.
- Obok głównej jednostki urządzenia nie należy umieszczać łatwopalnych przedmiotów. Pozwoli to uniknąć pożaru.
- W otoczeniu urządzenia nie należy umieszczać żadnego sprzętu wrażliwego na światło lub ciepło.

UWAGA

- Należy zapewnić stabilność urządzenia, na przykład pod względem nachylenia, wibracji lub wstrząsów.

Wskazówka

- Przy przenoszeniu głównej jednostki urządzenia należy podtrzymywać go od dołu obiema rękami, przy zamkniętych drzwiczkach.
- Urządzenie musi być używane wewnątrz pomieszczeń.
- Główną jednostkę należy zainstalować na równej powierzchni.
- Urządzenie należy zainstalować w miejscu, w którym nie będzie narażone na bezpośrednie działanie promieni słonecznych i będzie chronione przed pyłem, wilgocią i powietrzem zawierającym sól lub siarkę. W pobliżu nie może znajdować się też grzejnik.
- Urządzenie należy zainstalować w miejscu bez rozbryzgów wody.
- Urządzenie należy zainstalować w miejscu dobrze wentylowanym.

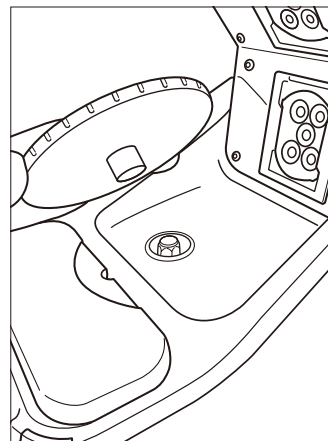
2) Należy sprawdzić, czy zapewniona została ilość miejsca umożliwiająca bezproblemowe otwieranie drzwiczek.

UWAGA

■ Należy zadbać o to, aby przy otwieraniu/zamykaniu drzwiczek pod drzwiczkami lub w szczelinie nie umieszczać rąk, innych części ciała ani przedmiotów. Może to prowadzić do uszkodzeń ciała lub mienia.

4.4 Montaż

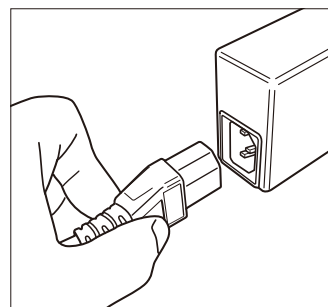
- 1) Trzymając uchwyt, pociągnąć powoli drzwiczki, obracając je do góry.
- 2) Ustawić płytę obrotową na równi z osią płyty obrotowej.
*Płytę obrotową można ustawić w sześciu położeniach, które zapewnione są w odstępach co 60 stopni, umożliwiając głębokie wetknięcie płyty. Należy wybrać jedno z nich.
- 3) Umieścić tacę w zagłębieniu na górnej powierzchni płyty obrotowej.



UWAGA

■ Należy zadbać o to, aby przy otwieraniu/zamykaniu drzwiczek pod drzwiczkami lub w szczelinie nie umieszczać rąk, innych części ciała ani przedmiotów. Może to prowadzić do uszkodzeń ciała lub mienia.

- 4) Podłączyć przewód zasilający do zasilacza AC.
- 5) Podłączyć wtyczkę DC zasilacza AC do złącza zasilania zlokalizowanego na tylnej powierzchni głównej jednostki.
- 6) Podłączyć przewód zasilający do gniazda trójfazowego (100-240 AC).
*patrz rozdział 10 pt. „Dane techniczne”.
- 7) Sprawdzić, czy świeci się kontrolka zasilania na zasilaczu AC.
→ Jeżeli się nie świeci, należy sprawdzić połączenia.



UWAGA

■ Przy podłączaniu wtyczki zasilania należy pamiętać o zapewnieniu uziemienia.

UWAGA

- Należy zwrócić uwagę na parametry źródła zasilania, takie jak częstotliwość, napięcie i dozwolony prąd (lub pobór energii).
- Należy używać dołączonego przewodu zasilającego i zasilacza AC.

Wskazówka

● Należy używać wyłącznie oryginalnych części i akcesoriów. Użycie części i akcesoriów innych niż oryginalne jest równoznaczne z utratą gwarancji i zwolnieniem GC od odpowiedzialności.

4.5 Uruchomienie i czynności kontrolne

1) Przy zamkniętych drzwiczkach włączyć główny wyłącznik, aby sprawdzić poniższe:

<input type="checkbox"/>	Czy na wyświetlaczu pojawia się czas? (patrz punkt 3.2.2)
--------------------------	---

2) Przy otwartych drzwiczkach nacisnąć raz przełącznik trybu wstępnego, aby sprawdzić poniższe:

<input type="checkbox"/>	Czy można nacisnąć przełącznik trybu wstępnego, a po puszczeniu wraca on do położenia początkowego?
<input type="checkbox"/>	Czy świecą się tylko diody LED w górnym rzędzie? * Podczas tej operacji nie należy patrzeć bezpośrednio na diody LED.
<input type="checkbox"/>	Czy na wyświetlaczu świeci się wskaźnik trybu wstępnego? Czy czas pokazywany na wyświetlaczu jest odliczany wstecz co 10 sekund?
<input type="checkbox"/>	Czy na przedmioty i ludzi w najbliższym otoczeniu nie działa silne naświetlanie i nie pada odbite światło?



* W przypadku jakichkolwiek nieprawidłowości w urządzeniu należy nacisnąć przycisk Stop, aby przerwać naświetlanie.



UWAGA

■ Pomimo małej emisji nie należy zaglądać do urządzenia w celu monitorowania naświetlania w trybie wstępnym. Zabrania się wprowadzania jakiegokolwiek przedmiotu, który mógłby skierować światło do oczu, gdyż jest to szkodliwe.

3) Przy otwartych drzwiczkach nacisnąć przycisk czasu utwardzania (jedna minuta), aby sprawdzić poniższe:

* Sprawdzenia należy dokonać w przeciągu 20 sekund, ponieważ po tym czasie urządzenie zatrzymuje się na skutek błędu otwarcia drzwiczek.

<input type="checkbox"/>	Czy słabo świeci przynajmniej jedna z czterech niebieskich diod LED w każdym spośród górnego, środkowego i dolnego rzędu? * Tym razem nie świeci się fioletowa dioda LED. * Akceptowalne jest, gdy świeci się przynajmniej jedna z czterech diod LED, chociaż bardzo rzadko może zdarzyć się, że dioda LED nie świeci ze względu na zbyt słaby przepływ prądu.
<input type="checkbox"/>	Czy obraca się płyta obrotowa?
<input type="checkbox"/>	Czy naświetlanie kończy się w ciągu 20 sekund?



* W przypadku jakichkolwiek nieprawidłowości w urządzeniu należy nacisnąć przycisk Stop, aby przerwać naświetlanie.

4) Przy zamkniętych drzwiczkach nacisnąć przycisk czasu utwardzania (jedna minuta), aby sprawdzić poniższe:

<input type="checkbox"/>	Czy widoczne przez okienko jest świecenie diod LED w środkowym i dolnym rzędzie?
<input type="checkbox"/>	Czy widoczny przez okienko jest obrót płyty obrotowej? (Jeśli trudno jest to ocenić, należy użyć dołączonej podstawki do utwardzania).
<input type="checkbox"/>	Czy wyświetlany czas jest odliczany wstecz?
<input type="checkbox"/>	Czy naświetlanie kończy się po upływie minuty?



* W przypadku jakichkolwiek nieprawidłowości w urządzeniu należy nacisnąć przycisk Stop, aby przerwać naświetlanie.

 **UWAGA**

- Nie należy patrzeć przez dłuższy czas bez przerwy przez okienko komory utwardzania w trybie pełnym. W przeciwnym wypadku może pojawić się dyskomfort.

 **UWAGA**

- W przypadku usterki lub uszkodzenia należy natychmiast zaprzestać pracy z urządzeniem, wyłączyć główny wyłącznik i wyciągnąć wtyczkę zasilającą.

 **Wskazówka**

- Przed przystąpieniem do pracy z urządzeniem po dłuższej przerwie należy pamiętać o sprawdzeniu, czy urządzenie pracuje normalnie i bezpiecznie.

4.6 Zatrzymanie i przechowywanie

- 1) Zamknąć drzwiczki i wyłączyć wyłącznik główny.

 **Wskazówka**

- Gdy urządzenie nie jest użytkowane przez dłuższy czas, zaleca się odłączenie przewodu zasilającego, aby oszczędzać energię.

 **UWAGA**

- Nie należy wtykać ani wyjmować wtyczki mokrymi rękami. Grozi to porażeniem prądem elektrycznym.
- Przy odłączaniu przewodów nie należy działać zbyt dużą siłą, na przykład ciągnąc za nie.

- 2) Oczyszczyć urządzenie, aby przygotować je do bezproblemowego ponownego użycia (patrz rozdział 6 pt. „Konservacja”).

 **UWAGA**

- Należy pamiętać o regularnym czyszczeniu komory utwardzania. Zanieczyszczona komora nie pozwala osiągnąć odpowiedniej wydajności utwardzania.

- 3) Urządzenie należy przechowywać, dbając o to, aby:
 - Zapewnić w miejscu przechowywania odpowiednią temperaturę i wilgotność oraz właściwe ciśnienie atmosferyczne; patrz rozdział 9 pt. „Dane techniczne”.

 **UWAGA**

- Należy zapewnić stabilność urządzenia, na przykład pod względem nachylenia, wibracji lub wstrząsów.

 **Wskazówka**

- Urządzenie należy zainstalować w miejscu, w którym nie będzie narażone na bezpośrednie działanie promieni słonecznych i będzie chronione przed pyłem, wilgocią i powietrzem zawierającym sól lub siarkę. W pobliżu nie może znajdować się też grzejnik.
- Urządzenie należy zainstalować w miejscu bez rozbryzgów wody.

5. Sposób obsługi

5.1 Podstawowy sposób obsługi

Wskazówka

- Przed przystąpieniem do obsługi należy sprawdzić czy urządzenie pracuje prawidłowo.
- Podczas użytkowania urządzenia należy:
 - Nieustannie kontrolować całe urządzenie pod kątem usterek.
 - W przypadku usterek podjąć odpowiednie działania, takie jak wyłączenie urządzenia.

OSTRZEŻENIE

- Urządzenia nie mogą obsługiwać osoby wrażliwe na światło, np. z alergią na światło. Ponadto należy zapewnić, aby osoby wrażliwe na światło, np. z alergią na światło nie znajdowały się w pobliżu padającego światła.
- Urządzenia nie powinny obsługiwać osoby z rozrusznikiem serca. Grozi to nieprawidłowym działaniem rozrusznika.

OSTRZEŻENIE

- Przy naprawie uzupełnienia protetycznego usuniętego z jamy ustnej pacjenta przed umieszczeniem w urządzeniu należy ją zdezynfekować. Pozwoli to uniknąć infekcji.

- 1) Włączyć wyłącznik główny i sprawdzić, czy cokolwiek wyświetla się na wyświetlaczu czasu. (patrz punkt 3.2.2)
- 2) Utwardzić kompozyt w trybie wstępnym (patrz rozdział 5.2) lub pełnym (patrz rozdział 5.3).

UWAGA

- Nie należy spoglądać bezpośrednio na źródło światła. Jest to niebezpieczne dla oczu.
- Nie należy naświetlać obiektu, który znajduje się bliżej źródła światła niż jest to zalecane. Może to prowadzić do nagrzewania obiektu.
- Nie należy zbliżać rąk do źródła światła. Grozi to poparzeniem.

UWAGA

- W przypadku na przykład długotrwałej pracy, wrażliwości na światło, katarakty lub uszkodzonej siatkówki należy nosić odpowiednie okulary ochronne, które filtrują światło o długości fali 500 nm lub mniejszej.

UWAGA

- Przełącznik należy obsługiwać wyłącznie palcami. Zabrania się używania ostrych narzędzi.

UWAGA

- Należy zadbać o to, aby przy otwieraniu/zamykaniu drzwiczek pod drzwiczkami lub w szczelinie nie umieszczać rąk, innych części ciała ani przedmiotów. Może to prowadzić do uszkodzeń ciała lub mienia.

UWAGA

- Utwardzany obiekt należy ustawić tak, aby był skierowany utwardzaną powierzchnią do źródła światła.
- Należy ustawić czas utwardzania odpowiedni do stosowanego materiału.

UWAGA

- Po zakończeniu procesu utwardzania należy sprawdzić, czy materiał został całkowicie utwardzony. W przypadku niewystarczającego utwardzenia należy przedłużyć naświetlanie.
- Zanieczyszczoną osłonę soczewki należy oczyścić lub wymienić. W przeciwnym razie zanieczyszczenia mogą się nagrzewać, prowadząc do odkształcenia lub topienia osłony.

3) Po zakończeniu użytkowania zamknąć drzwiczki i wyłączyć główny wyłącznik. (patrz rozdział 4.6)

UWAGA

- Po zakończeniu pracy z urządzeniem przez dłuższy czas nie należy dotykać modułu LED ani jego okolicy. Grozi to poparzeniem.

Wskazówka

- Gdy urządzenie nie jest użytkowane przez dłuższy czas, zaleca się odłączenie przewodu zasilającego, aby oszczędzać energię.

5.2 Tryb wstępny

Wskazówka

- Trybu wstępnego należy używać wyłącznie do wstępnego utwardzania.

1) Otworzyć drzwiczki i sprawdzić, czy świeci się wskaźnik otwarcia drzwiczek. (Stan gotowości w trybie wstępnym)



- 2) Umieścić utwardzany obiekt w zalecanej pozycji utwardzania (opisanej poniżej) i nacisnąć przełącznik trybu wstępnego.
- Natychmiast rozpoczyna się naświetlanie tylko przez górne diody LED i na wyświetlaczu pojawia się pozostały czas.
 - Ponowne naciśnięcie przełącznika trybu wstępnego podczas naświetlania pozwala dodać do pozostałego czasu kolejne dziesięć sekund.
 - Dodać można maksymalnie 30 sekund.

UWAGA

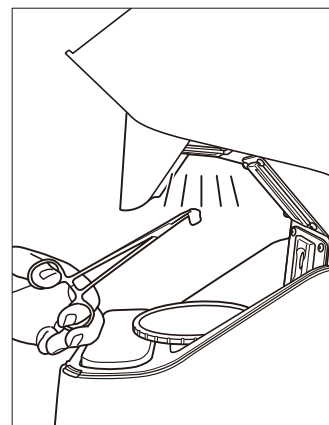
- W trybie stopniowym nie należy zaglądać do urządzenia w kierunku światła by nadzorować naświetlanie. Jest to niebezpieczne dla oczu.
- Należy unikać nieustannego patrzenia na odbijane światło, robiąc sobie dłuższą przerwę przy pracy w trybie stopniowym. W przeciwnym wypadku może pojawić się dyskomfort.
- Nie należy zbliżać rąk do źródła światła. Grozi to poparzeniem.

UWAGA

- Przy naświetlaniu uzupełnienia protetycznego w trybie wstępnym należy w miarę możliwości unikać umieszczania rąk między źródłem światła i płytą obrotową, stosując na przykład szczypce. W przeciwnym razie po dłuższym użytkowaniu na skórze mogą pojawić się przebarwienia.

UWAGA

- W trybie wstępnym nie należy trzymać utwardzanego kompozytu w rękach. Może to prowadzić do poparzeń przy kontakcie z gorącym kompozytem.



3) Po zakończeniu naświetlania usunąć utwardzany obiekt.

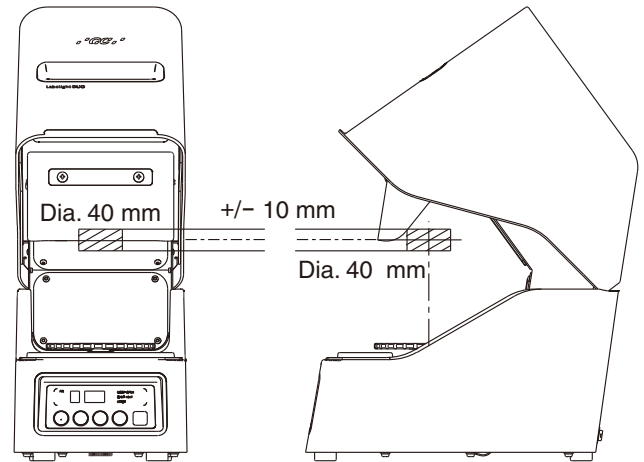
* Przy długotrwałym użytkowaniu urządzenia może zacząć migać wskaźnik przegrzania na skutek zbyt wysokiej temperatury diod LED (ostrzeżenie temperaturowe). W przypadku ostrzeżenia temperaturowego zaleca się zrobienie przerwy na czas odpowiadający uprzedniemu czasowi utwardzania.

* Dalszy wzrost temperatury będzie prowadził do wymuszonego zatrzymania pracy mającego na celu ochłodzenie diod LED, skutkiem czego naświetlanie będzie wyłączone.

< Zalecana pozycja utwardzania w trybie wstępnym >

Kompozyt należy umieścić w zakreskowanym obszarze, jak pokazano na rysunku.

(Obszar zakreskowany: wewnątrz okręgu o średnicy ok. 40 mm, bezpośrednio nad płytą obrotową i ± 10 mm od osłony).



5.3 Tryb pełny

1) Otworzyć drzwiczki i umieścić utwardzany obiekt na płycie obrotowej (patrz rozdział 5.4).

Wskazówka

- Aby naświetlić kompozyt w całości, należy użyć płyty obrotowej.
- Przy równoczesnym utwardzaniu kilku prac kompozytowych należy ułożyć je tak, aby nie rzucały na siebie nawzajem cienia.

2) Sprawdzając, czy świeci się wskaźnik otwarcia drzwiczek, zamknąć drzwiczki.
(Stan gotowości w trybie pełnym)



3) Nacisnąć przycisk czasu utwardzania, ustawiając zalecany czas odpowiedni dla utwardzanego obiektu.
- Natychmiast rozpoczyna się naświetlanie i na wyświetlaczu pojawia się pozostały czas.
- Naciskając podczas naświetlania przycisk czasu utwardzania, można dodać do pozostałego czasu wartość czasu odpowiadającą przyciskowi. Dodać można maksymalnie 10 minut.

Wskazówka

- W trybie pełnym należy monitorować ruch obrotowy płyty przez okienko.

UWAGA

- Nie należy patrzeć przez dłuższy czas bez przerwy przez okienko komory utwardzania w trybie pełnym. W przeciwnym wypadku może pojawić się dyskomfort.
- Nie należy naświetlać obiektu, który znajduje się bliżej źródła światła niż jest to zalecane. Może to prowadzić do nagrzewania obiektu.

UWAGA

■ W przypadku wciągnięcia czegokolwiek przez płytę obrotową należy przed usunięciem zablokowanego przedmiotu zatrzymać płytę, naciskając przycisk Stop lub główny wyłącznik.

- * Aby przerwać trwające właśnie utwardzanie, należy nacisnąć przycisk zatrzymania. Urządzenie przejdzie w stan gotowości.
- * Jeśli podczas utwardzania otwarte zostaną drzwiczki lub przy otwartych drzwiczkach naciśnięty zostanie przycisk programatora czasowego, nastąpi tymczasowe wstrzymanie utwardzania. W takim przypadku słabo świecą tylko niebieskie diody LED i kontynuuje ruch obrotowy płyta.
 - Po 15 sekundach uruchamiany jest alarm dźwiękowy, a po 20 sekundach pojawia się sygnał błędu i praca jest zatrzymywana.
 - Jeśli w ciągu 20 sekund drzwiczki zostaną zamknięte, tymczasowe wstrzymanie zakończy się i ponownie rozpocznie się naświetlanie w trybie pełnym.
- * Przy długotrwałym ciągłym użytkowaniu urządzenia może zacząć migać wskaźnik przegrzania na skutek zbyt wysokiej temperatury diod LED. (Ostrzeżenie temperaturowe)
W przypadku ostrzeżenia temperaturowego zaleca się naświetlanie przez maksymalnie 5 minut, po czym należy zrobić przerwę na czas odpowiadający czasowi naświetlania. Maksymalny czas, jaki można ustawić przy wyświetlanym ostrzeżeniu temperaturowym, to 5 minut.
- * Dalszy wzrost temperatury prowadzi do tymczasowego zatrzymania w trybie pełnym, co ma na celu przerwę pracy diod LED. Praca rozpoczyna się automatycznie ponownie po odpowiednim ochłodzeniu diod LED. Naciśnięcie przycisku zatrzymania lub pozostawienie otwartych drzwiczek skutkuje wyzerowaniem pozostałego czasu.

- 4) Pozostały czas równy „0” wskazuje na koniec utwardzania.
O końcu informuje także dźwięk zakończenia i komunikat „Fin”.
Po skontrolovaniu wyświetlacza należy otworzyć drzwiczki i wyjąć utwardzany obiekt.



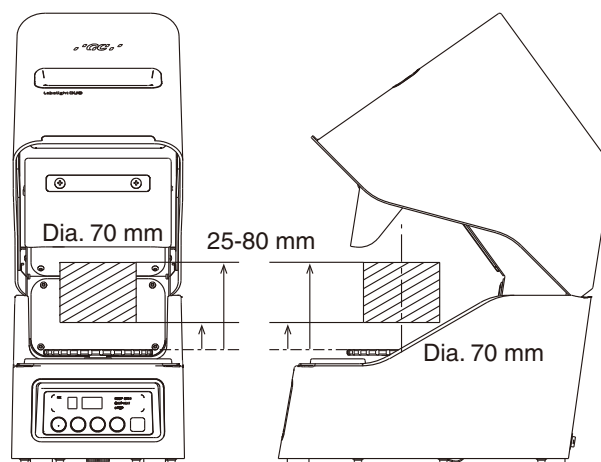
UWAGA

■ W trybie pełnym nie należy wyjmować bezpośrednio po utwardzeniu kompozytu rękami z urządzenia.
Może to prowadzić do poparzeń przy kontakcie z gorącym kompozytem.

< Zalecana pozycja utwardzania w trybie pełnym >

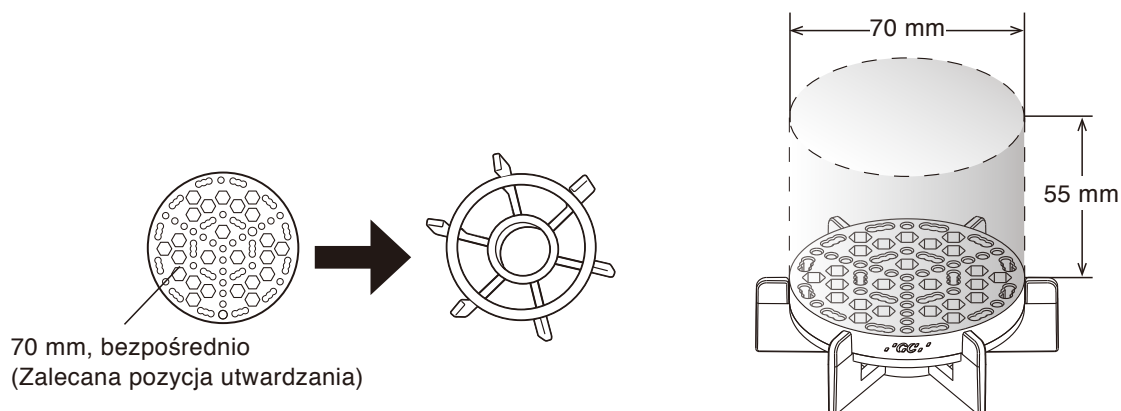
Utwardzany obiekt należy umieścić w zakreskowanym obszarze, jak pokazano na rysunku.

(Obszar zakreskowany: wewnątrz okręgu o średnicy ok. 70 mm, bezpośrednio nad płytą obrotową i na wysokości od 25 do 80 mm od górnej powierzchni płyty obrotowej)



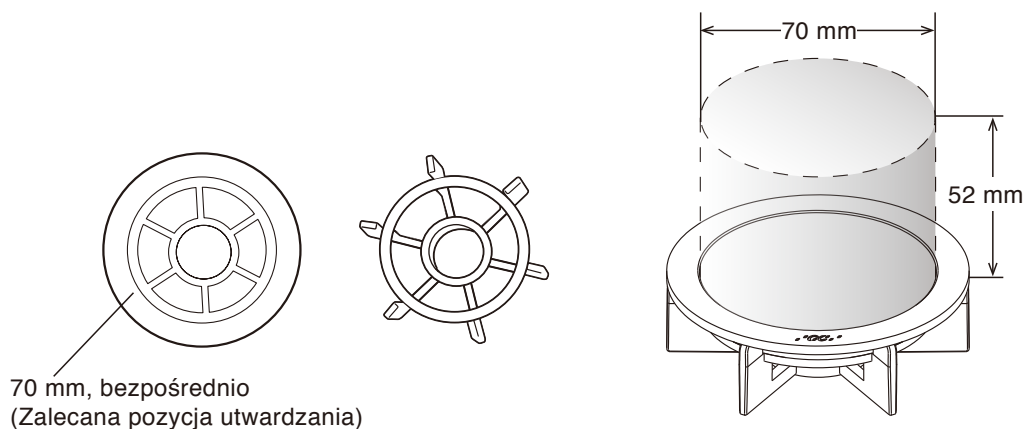
1) Pojedyncze uzupełnienie protetyczne, takie jak korona lub most
/ Uzupełnienie protetyczne na modelu wyposażonym w pin ustalający

Należy użyć podstawki do utwardzania i uchwytu podstawki do utwardzania.
(Więcej informacji szczegółowych dotyczących podstawki do utwardzania znaleźć można w rozdziale 5.4)



2) Uzupełnienie protetyczne lub sztuczny ząb o wysokości 52 mm lub mniejszej umieszczone(-y) na modelu

Należy użyć płytki do utwardzania i uchwytu podstawki do utwardzania.



3) Uzupełnienie protetyczne lub sztuczny ząb o wysokości 52 mm lub większej umieszczone(-y) na modelu

Należy umieścić je razem z modelem na płycie obrotowej.

i Wskazówka

- Gdy utwardzany obiekt jest umieszczany poza obszarem zalecanym do utwardzania, należy ustawić raczej dłuższy czas utwardzania, ponieważ światło może niewystarczająco dobrze naświetlać utwardzany obiekt.
- Jeśli uzupełnienie protetyczne lub model umieszczone zostaną poza średnicą zewnętrzną 100 mm płyty obrotowej lub wyżej niż 80 mm, nastąpi kolizja tego obiektu lub modelu z osłoną lub ścianką komory utwardzania. Skutkowac to będzie zakłóceniem lub uniemożliwieniem obrotu płyty.

5.4 Praca z zestawem stanowiska do utwardzania

W przypadku pojedynczego uzupełnienia protetycznego, takiego jak korona lub most, bądź modelu wyposażonego w pin ustalający należy użyć podstawki do utwardzania i różnych sztyftów, biorąc pod uwagę poniższe przykłady zastosowania.



Zacisk
Mocuje utwardzany obiekt. Mocuje się go w okrągłym otworze lub trzech kolejnych okrągłych otworach w podstawie do utwardzania.



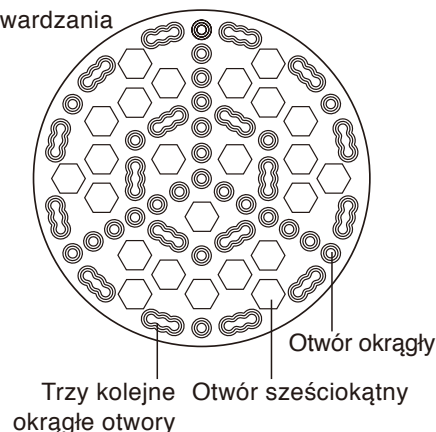
Szyft metalowy
Mocuje utwardzany obiekt. Mocuje się go w okrągłym otworze lub trzech kolejnych okrągłych otworach w podstawie do utwardzania.



Szyft silikonowy
Mocuje utwardzany obiekt. Mocuje się go w sześciokątnym otworze w podstawie do utwardzania. Występ należy przyciąć odpowiednio do potrzeb.



Podstawa do utwardzania



Trzy kolejne okrągłe otwory, Otwór sześciokątny, Otwór okrągły

Uzupełnienie protetyczne umieszczone na modelu wyposażonym w pin ustalający Model z uzupełnieniem protetycznym umieszcza się na podstawie do utwardzania poprzez wprowadzenie pinu ustalającego do sześciokątnego otworu w podstawie.

6. Konserwacja

6.1 Czynności kontrolne

Czynności kontrolne i konserwację należy przeprowadzić w odstępach czasu według poniższych zaleceń:



UWAGA

■ Sprzęt i inne części wymagają regularnego sprawdzania.

	Zawartość	Informacje szczegółowe
Kontrola codzienna	Kontrola świecenia diod LED Kontrola stanu płyty obrotowej	Naciskając przycisk programatora czasowego przy otwartych drzwiczkach, sprawdzić świecenie odpowiednich diod LED i poprawny ruch obrotowy płyty obrotowej. W przypadku jakichkolwiek usterek utwardzanie będzie wadliwe. (Informacje szczegółowe odnaleźć można w rozdziale 4.5 pt. „Uruchomienie i czynności kontrolne”).
	Kontrola zanieczyszczenia osłony soczewki	Jeśli osłona soczewki jest zanieczyszczona, należy ją oczyścić. (Patrz rozdział 6.2 pt. „Czyszczenie i wymiana poszczególnych części”).
Kontrola cotygodniowa	Kontrola stanu połączeń	Sprawdzić, czy poprawny jest stan połączeń zasilacza AC i przewodu zasilającego. Skontrolować je pod kątem nagromadzonego pyłu.
	Kontrola zanieczyszczenia przełącznika trybu stopniowego	Oczyścić przełącznik trybu wstępnego z pyłu i brudu. (Patrz rozdział 6.2 pt. „Czyszczenie i wymiana odpowiednich części”).
	Kontrola zanieczyszczenia wnętrza komory utwardzania	Jeśli komora utwardzania jest zanieczyszczona, należy ją oczyścić. (Patrz rozdział 6.2 pt. „Czyszczenie i wymiana poszczególnych części”).
Wymiana części	Wymiana osłony soczewki (Częstotliwość wymiany według zaleceń: 1 rok *zależnie od intensywności użytkowania)	Duże przebarwienia, zanieczyszczenie lub rysy na soczewce mogą prowadzić do wadliwego utwardzania. Jeśli na osłonie soczewki zostanie wykryte przebarwienie, zanieczyszczenie lub rysy, których nie można usunąć, należy wymienić osłonę soczewki. * Osłona soczewki może się odbarwiać na skutek starzenia. (Patrz rozdział 6.2 pt. „Czyszczenie i wymiana poszczególnych części”).

 **UWAGA**

■ Należy pamiętać o regularnym czyszczeniu komory utwardzania. Zanieczyszczona komora nie pozwala osiągnąć odpowiedniej wydajności utwardzania. Jeśli zastosowany zostanie środek dezynfekujący palny (np. na bazie alkoholu izopropylowego), w komorze gromadzić się będą opary, które mogą być źródłem zapłonu/wybuchu przy włączaniu lampy.

 **Wskazówka**

● W przypadku usterki jednego modułu LED nadal mogą naświetlać poprawnie inne moduły LED. Niemniej jednak, ponieważ zmniejsza się całkowita ilość światła, należy wydłużyć czas utwardzania i monitorować odpowiednio przebieg utwardzania. Wadliwy moduł LED należy jak najszybciej naprawić.

6.2 Czyszczenie i wymiana części

Należy pamiętać, aby na czas czyszczenia i wymiany części odłączyć przewód zasilający, unikając w ten sposób włączenia urządzenia.

 **UWAGA**

■ Jeśli w związku z długotrwałym użytkowaniem konieczna jest konserwacja, należy dokonać jej po odpowiednim ostygnięciu urządzenia.


 **UWAGA** 

■ Przed czyszczeniem i wymianą części należy wyłączyć główny wyłącznik i odłączyć przewód zasilający.

6.2.1 Sposób czyszczenia poszczególnych części

 **UWAGA**

■ Należy pamiętać o regularnym czyszczeniu komory utwardzania. Zanieczyszczona komora nie pozwala osiągnąć odpowiedniej wydajności utwardzania.

Zawartość	Informacje szczegółowe
Oslona soczewki	<p>Przetrzeć, używając miękkiej szmatki zwilżonej małą ilością wody lub alkoholu. * W przypadku jakichkolwiek przebarwień, zanieczyszczeń lub rys, których nie można usunąć, osłonę soczewki należy wymienić. * Oslona soczewki może się odbarwiać na skutek starzenia.</p> <p> UWAGA</p> <p>■ Zanieczyszczoną osłonę soczewki należy oczyścić lub wymienić. W przeciwnym razie zanieczyszczenia mogą się nagrzewać, prowadząc do odkształcenia lub topienia osłony. ■ Jeśli urządzenie będzie użytkowane bez zamontowanej osłony soczewki, może nastąpić pogorszenie wydajności na skutek niewłaściwej ochrony soczewki. Urządzenia należy używać z zamontowaną osłoną.</p>
Płyta obrotowa	<p>Przetrzeć, używając miękkiej szmatki zwilżonej małą ilością wody lub alkoholu. * Pociągnąć płytę obrotową do góry, aby go zdemontować. * Przy ponownym montażu płyty obrotowej należy go obracać, odnajdując jedno z sześciu położeń (co 60 stopni), w którym płyta obrotowa zablokuje się.</p>

Zawartość	Informacje szczegółowe	
Przełącznik trybu wstępnego	Przetrzeć, używając miękkiej szmatki zwilżonej małą ilością wody lub alkoholu. Brud zgromadzony w szczelinie należy wyczyścić za pomocą na przykład bawełnianego wacika, usuwając uprzednio osłonę przełącznika trybu wstępnego. (Sposób demontażu opisano w punkcie 6.2.3.)	
Ośłona	Przetrzeć, używając miękkiej szmatki zwilżonej małą ilością wody lub alkoholu.	
Obudowa, komora utwardzania	Przetrzeć, używając miękkiej szmatki zwilżonej małą ilością wody lub alkoholu.	
Uchwyt podstawki do utwardzania	Przetrzeć, używając miękkiej szmatki zwilżonej małą ilością wody lub alkoholu.	
Taca Szyft metalowy Zacisk	Przetrzeć, używając miękkiej szmatki zwilżonej małą ilością wody lub alkoholu. * Dozwolona jest dezynfekcja z użyciem roztworu chemicznego. * Możliwa jest sterylizacja w autoklawie	
Płytko do utwardzania Podstawa do utwardzania Szyft silikonowy	Przetrzeć, używając miękkiej szmatki zwilżonej małą ilością wody lub alkoholu. * Dozwolona jest dezynfekcja z użyciem roztworu chemicznego. * Możliwa jest sterylizacja w autoklawie (częsta sterylizacja prowadzi jednak do szybszego zużycia).	

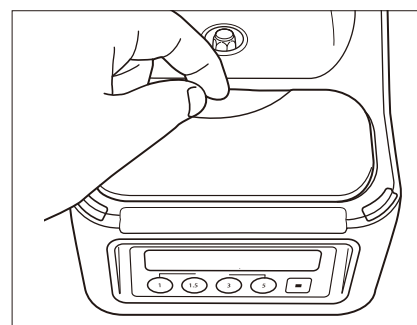
Wskazówka

- Do czyszczenia urządzenia należy używać miękkiej szmatki zwilżonej małą ilością wody lub alkoholu. Dodatkowo nie należy używać rozpuszczalnika organicznego (rozcieńczalnika, benzyny itp.).
- Rozpuszczalnik organiczny może odbarwić urządzenie, więc rozpuszczalnik taki należy jak najszybciej zetrzeć.

6.2.2 Sposób demontażu/ponownego montażu osłony przełącznika trybu wstępnego

< Sposób demontażu >

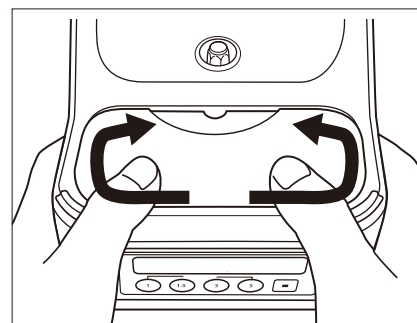
Przy wymontowanej płycie obrotowej zdjąć osłonę, zahaczając o jej wcięcia palcami.



< Sposób montażu >

Wyrównać wypukłość osłony przełącznika trybu wstępnego z otworem płytki przełącznika trybu wstępnego i wcisnąć do otworu.

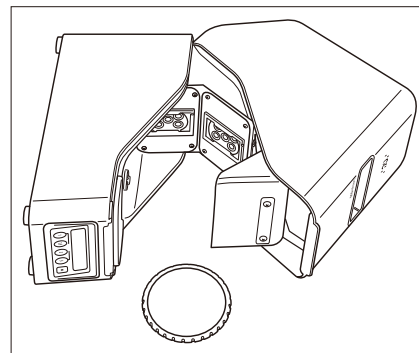
* Wypukłość jest łatwiej wcisnąć do otworu, jeśli uprzednio dociśnię się płytkę na obwodzie.



6.2.3 Sposób wymiany osłony soczewki

< Przygotowanie >

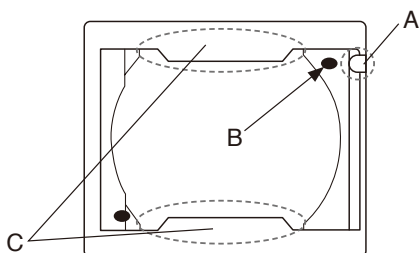
- 1) Wyłączyć zasilanie i odłączyć zasilacz AC.
- 2) Wymontować płytę obrotową i położyć główny korpus na boku.



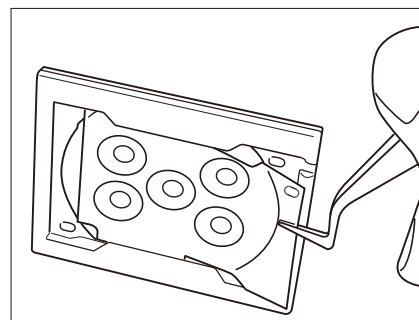
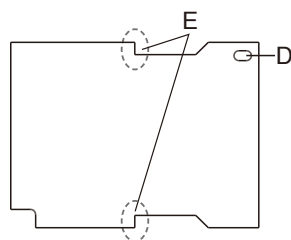
< Sposób demontażu >

- 3) Wetknąć paznokieć lub pincetę do szczeliny [A] między uchwytem soczewki i osłoną soczewki przez zagłębienie w uchwycie, a następnie wsunąć osłonę w kierunku zagłębienia [A].

Uchwyt osłony soczewki

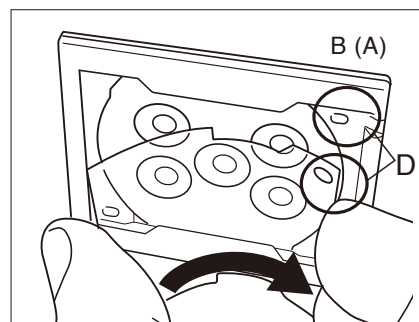


Osłona soczewki

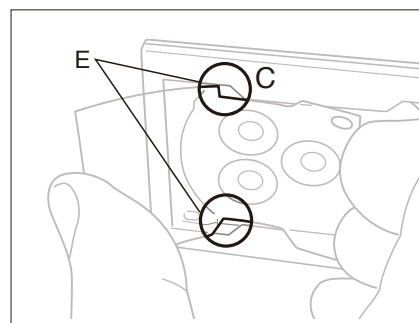


< Sposób montażu >

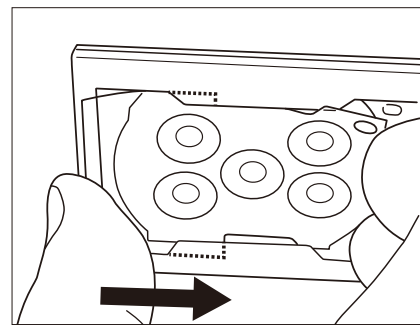
- 4) Przednia i tylna powierzchnia osłony soczewki mają różne profile, więc należy jej zapewnić prawidłowe położenie – tak, aby otwór osłony soczewki [D] był wyrównany z występem uchwytu osłony soczewki obok zagłębienia [B(A)].



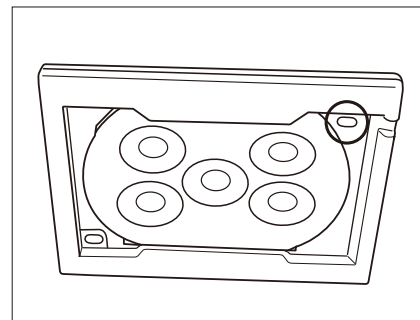
- 5) Nieznacznie odginając osłonę soczewki na zewnątrz, wprowadzić wcięcie (kąć prosty) osłony soczewki [E] do skrzydełka uchwytu soczewki [C].



6) Wsunąć osłonę soczewki w celu montażu.



7) Sprawdzić, czy występy uchwytu osłony soczewki [B] współpracują z otworem osłony soczewki [D].



7. Rozwiązywanie problemów

Przed zażądaniem naprawy w oparciu o własną ocenę usterki lub zdarzenia należy najpierw wykonać poniższe czynności kontrolne. Jeśli żadna z przyczyn nie pokrywa się z poniższymi, należy skontaktować się z dostawcą, oddziałem lub biurem sprzedaży.

Oznaki	Przyczyny	Rozwiązania
Włączanie głównego wyłącznika nie prowadzi do włączenia zasilania (nie pojawia się na wyświetlaczu).	Wyciągnięty przewód	Sprawdzić, czy poprawnie podłączony jest główny zespół, zasilacz AC, przewód zasilający i gniazdo.
	Użyć innego przewodu zasilającego i zasilacza AC	Sprawdzić, czy używany jest dołączony przewód zasilający i zasilacz AC.
	Uszkodzony zasilacz AC lub przewód zasilający	Zasilacz AC i/lub przewód zasilający wymaga wymiany. Należy skontaktować się z dostawcą, oddziałem lub biurem sprzedaży.
	Stopiony bezpiecznik	Konieczna jest wymiana bezpiecznika zamontowanego wewnątrz urządzenia. Należy skontaktować się z dostawcą, oddziałem lub biurem sprzedaży.
Nie świeci się żadne światło w trybie wstępnym.	Świeci się wskaźnik przegrzania.	Tymczasowe wstrzymanie za sprawą przegrzania diod LED Przed ponownym uruchomieniem należy poczekać na ostygnięcie diod LED. Jeśli problem pojawia się często, należy skontaktować się z dostawcą, oddziałem lub biurem sprzedaży.
	Nie świeci się wskaźnik otwartych drzwi.	Nieprawidłowe działanie lub usterka czujnika wykrywającego otwarcie/zamknięcie drzwiczek Otworzyć szeroko drzwiczki i sprawdzić ponownie.
	Mimo że wyświetlacz pracuje normalnie, nie świecą się górne rzędy diod LED.	Uszkodzenie lub odłączenie diod LED Konieczna jest wymiana zespołu LED. Należy skontaktować się z dostawcą, oddziałem lub biurem sprzedaży. Sposób sprawdzania diod LED opisano w rozdziale 6.

Oznaki	Przyczyny	Rozwiązania	
Nie świeci się żadne światło w trybie pełnym.	Świeci się wskaźnik przegrzania i na wyświetlaczu miga pozostały czas.	Tymczasowe wstrzymanie za sprawą przegrzania diod LED (Tymczasowo wstrzymane naświetlanie).	Przed ponownym uruchomieniem należy poczekać na ostygnięcie diod LED. Jeśli problem pojawia się często, należy skontaktować się z dostawcą, oddziałem lub biurem sprzedaży.
	Świeci się wskaźnik przegrzania i na wyświetlaczu wyświetla się „Fin”.	Tymczasowe wstrzymanie za sprawą przegrzania diod LED (Naświetlanie zakończone).	Przed ponownym uruchomieniem należy poczekać na ostygnięcie diod LED. Jeśli problem pojawia się często, należy skontaktować się z dostawcą, oddziałem lub biurem sprzedaży.
	Mimo że wyświetlacz pracuje normalnie, nie świecą się diody LED.	Uszkodzenie lub odłączenie diod LED	Konieczna jest wymiana zespołu LED. Należy skontaktować się z dostawcą, oddziałem lub biurem sprzedaży. Sposób sprawdzania diod LED opisano w rozdziale 6.
Światło jest nadmiernie przyciemnione w trybie pełnym lub pogorszona jest wydajność utwardzania.	Przy rozpoczynaniu naświetlania w trybie pełnym świeci się wskaźnik drzwiczek, a ustawiony czas nie jest odliczany do dotu.	Tymczasowe wstrzymanie na skutek otwarcia drzwiczek	Sprawdzić, czy nic nie utknęło w szczelinie drzwiczek. Przed przystąpieniem do użytkowania należy całkowicie zamknąć drzwiczki.
	Wyświetlacz pracuje normalnie i świecą się wszystkie diody LED.	Zanieczyszczenia lub rysy na komponentach optycznych	Strumień świetlny może być zmniejszony na skutek zanieczyszczenia lub rys na komponentach optycznych. Odpowiednio do potrzeb oczyścić wewnątrz komory utwardzania i osłonę soczewki lub wymienić osłonę soczewki (patrz rozdział 6).
	Mimo że wyświetlacz pracuje normalnie, nie świecą się żadne diody LED.	Uszkodzenie lub odłączenie diod LED	Konieczna jest wymiana zespołu LED. Należy skontaktować się z dostawcą, oddziałem lub biurem sprzedaży. Sposób sprawdzania diod LED opisano w rozdziale 6.
Nie obraca się płyta obrotowa.	Płyta obrotowa jest zablokowana	Wymontować płytę obrotową i sprawdzić obecność ciał obcych na tylnej powierzchni lub wałku.	
Nie obraca się płyta obrotowa.	Uszkodzony silnik płyty obrotowej	Silnik wymaga wymiany. Należy skontaktować się z dostawcą, oddziałem lub biurem sprzedaży.	

Oznaki	Przyczyny	Rozwiązania	
Generowany jest błąd i nie jest możliwe żadne działanie (świeci się wskaźnik błędu).	Na wyświetlaczu wyświetla się „E01”.	Uszkodzony czujnik temperatury	Urządzenie mogło wykryć zbyt niską lub zbyt wysoką temperaturę albo uszkodzony może być czujnik temperatury. Należy natychmiast zaprzestać pracy z urządzeniem i sprawdzić je pod kątem uszkodzeń. Urządzenie może pracować w temperaturze od 10 do 40°C. Jeśli problem nie znika nawet po włączeniu głównego wyłącznika w normalnej temperaturze, należy skontaktować się z dostawcą, oddziałem lub biurem sprzedaży.
	Na wyświetlaczu wyświetla się „E02”.	Odłączenie diod LED z górnego rzędu lub możliwe uszkodzenie czujnika temperatury	Podczas naświetlania w trybie pełnym wykryto błąd temperatury diod LED w górnym rzędzie, więc po zakończeniu naświetlania pojawia się błąd. Po wystąpieniu tego błędu należy sprawdzić górny rząd diod LED (patrz rozdział 6). Błąd resetuje się przez ponowne włączenie głównego wyłącznika.
	Na wyświetlaczu wyświetla się „E03”.	Stale wciśnięty jest przełącznik trybu wstępnego	Przełącznik mógł zakleszczyć się za sprawą ciał obcych, takich jak brud. Wyczyścić przełącznik (patrz rozdział 6). Błąd resetowany jest przez wyłączenie przełącznika.
	Na wyświetlaczu wyświetla się „E04”.	Uszkodzenie lub odłączenie fioletowej diody LED w górnym zespole LED	Błąd resetuje się przez ponowne włączenie głównego wyłącznika. Jeśli ten sam błąd pojawia się za każdym razem w trybie pełnym/krokovym, zespół LED wymaga wymiany. Należy skontaktować się z dostawcą, oddziałem lub biurem sprzedaży.
	Na wyświetlaczu wyświetla się „E05”.	Uszkodzenie lub odłączenie fioletowej diody LED w środkowym zespole LED	Błąd resetuje się przez ponowne włączenie głównego wyłącznika.
	Na wyświetlaczu wyświetla się „E06”.	Uszkodzenie lub odłączenie fioletowej diody LED w dolnym zespole LED	Jeśli ten sam błąd pojawia się za każdym razem w trybie pełnym, zespół LED wymaga wymiany. Należy skontaktować się z dostawcą, oddziałem lub biurem sprzedaży.

*Jakiegokolwiek oznaki inne niż wymienione powyżej wskazują na prawdopodobne uszkodzenie produktu, więc należy skontaktować się z dostawcą, oddziałem lub biurem sprzedaży.

Wskazówka

- W przypadku usterki jednego modułu LED nadal mogą naświetlać poprawnie inne moduły LED. Niemniej jednak, ponieważ zmniejsza się całkowita ilość światła, należy wydłużyć czas utwardzania i monitorować odpowiednio przebieg utwardzania. Wadliwy moduł LED należy jak najszybciej naprawić.

OSTRZEŻENIE

- Zabrania się rozmontowywania lub modyfikacji urządzenia. Może to prowadzić do nagrzewania, zapłonu lub przebicia izolacji.

UWAGA

- W przypadku usterki lub uszkodzenia należy natychmiast zaprzestać pracy z urządzeniem, wyłączyć główny wyłącznik i wyciągnąć wtyczkę zasilającą.
- Nie należy podejmować samodzielnych prób naprawy urządzenia, ale zlecić to ekspertowi posiadającemu odpowiednie kwalifikacje.

8. Gwarancja i naprawa

Do produkcji i jakości naszych produktów przywiązujemy szczególną wagę. Jeśli mimo to podczas okresu gwarancji pojawią się jakiegokolwiek wady, zostaną usunięte w ramach gwarancji za darmo. Odpowiednio do potrzeb należy skontaktować się z dostawcą, oddziałem lub biurem sprzedaży.

Jako producent nie ponosimy odpowiedzialności za żadne zdarzenia, takie jak uszkodzenia spowodowane użytkowaniem tego urządzenia w sposób niezgodny z przeznaczeniem lub nie stosowaniem się do instrukcji obsługi.

Urządzenie objęte jest wspomnianym poniżej okresem gwarancji. Dodatkowo należy mieć na uwadze, iż gwarancja nie obejmuje elementów zużywalnych (patrz poniższa lista).

Okres gwarancji: 1 rok

Wskazówka

- Bezwzględnie zabrania się otwierania i rozmontowywania urządzenia, dokonywania zmian w urządzeniu oraz użytkowania urządzenia w sposób niezgodny z instrukcjami.

< Lista elementów zużywalnych >

Opis	Kod
Uchwyt podstawki do utwardzania 1 szt.	009139
Płytką do utwardzania 1 szt.	009140
Podstawka do utwardzania 1 szt.	009141
Sztyft silikonowy przedni 1 szt.	009142
Sztyft silikonowy tylny 1 szt.	009143
Sztyft metalowy 1 szt.	009144
Zacisk 1 szt.	009145
Ośłona soczewki 3 szt.	009146
Ośłona przełącznika trybu stopniowego 1 szt.	009147
Pulpit obrotowy 1 szt.	009148
Taca 1 szt.	009149
Zestaw podstawki do utwardzania (Uchwyt podstawki do utwardzania x 2, Płytką do utwardzania x 1, Podstawka do utwardzania x 1, Trzpień silikonowy przedni x 4, Trzpień silikonowy tylny x 3, Trzpień metalowy x 4, Zacisk x 1)	009138

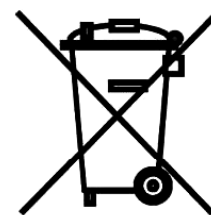
Wskazówka

- Należy używać wyłącznie oryginalnych części i akcesoriów. Użycie części i akcesoriów innych niż oryginalne jest równoznaczne z utratą gwarancji i zwolnieniem producenta od odpowiedzialności.

9. Utylizacja

Produkt oznaczony jest widocznym obok symbolem. Należy go utylizować/poddawać recyklingowi w sposób przyjazny dla środowiska. Zabrania się wyrzucania go z normalnymi odpadami.

Uwaga: produkt jest zgodny z Dyrektywą Europejską 2012/19/EC (WEEE) i przepisami dotyczącymi recyklingu/utylizacji w sposób przyjazny dla środowiska w danym kraju. Aby uzyskać informacje na temat czasu i miejsca utylizacji produktu, należy skontaktować się z GC Europe lub swoim dostawcą GC.



10. Dane techniczne

Nazwa / Model		Labolight DUO
Źródło światła	Liczba źródeł światła	Niebieska dioda LED: 12 (4 x 3 zespoły) Fioletowa dioda LED: 3 (1 x 3 zespoły)
	Szczytowa długość fali	Niebieska dioda LED: 465 nm–485 nm Fioletowa dioda LED: 390 nm–400 nm
	Zakres długości fali	380 nm – 510 nm (typowy)
Zasilanie	Parametry wejściowe zasilacza AC	100–240 VAC, 50–60 Hz, maks. 1,2 A
	Parametry wyjściowe zasilacza AC	24 V DC, 3,75 A
	Parametry wejściowe głównego zespołu	24 V DC (+/- 5%, 60 VA)
Wymiary	Drzwiczki zamknięte	159 mm x 290 mm x 297 mm (szer. x gł. x wys.)
	Drzwiczki otwarte	159 mm x 307 mm x 418 mm (szer. x gł. x wys.)
Masa	Główna jednostka: 5,3 kg (bez zestawu podstawki do utwardzania) Zasilacz AC: 0,4 kg Przewód zasilający: 0,2 kg	
Warunki środowiskowe podczas pracy	Tylko do użytku wewnątrz pomieszczeń	
	Temperatura: 10 °C –40 °C	
	Wilgotność względna: 30%–75%	
	Wysokość do 2000 m lub Ciśnienie atmosferyczne 700 hPa–1060 hPa	
	Kategoria instalacji (Kategoria przepięcia) II Fluktuacje napięcia zasilania +/- 10%	
Warunki środowiskowe przy transporcie i przechowywaniu	Stopień zanieczyszczenia 2	
	Temperatura: -10 °C–50 °C	
	Wilgotność względna: 30%–75%	
	Wysokość do 2000 m lub Ciśnienie atmosferyczne 700 hPa–1060 hPa	

*Należy mieć na uwadze, że dane techniczne produktu mogą ulec zmianie bez uprzedzenia w celu jego ulepszenia.



Manufactured by
GC CORPORATION
76-1 Hasunuma-cho, Itabashi-ku, Tokyo 174-8585, Japan

EU: GC EUROPE N.V.
Researchpark Haasrode-Leuven 1240, Interleuvenlaan 33,
B-3001 Leuven, Belgium TEL: +32 16 74 10 00

US: GC AMERICA INC.
3737 West 127th Street, Alsip, Illinois 60803 U.S.A.
TEL: +1-708-597-0900
www.gcamerica.com