

MEGAWISE

APJ-617



# AIR HUMIDIFIER

USER MANUAL

# WARRANTY

- Your product is guaranteed by us for 12 months from your original date of purchase. If you want to extend your warranty for one more year, please do not hesitate to contact us.
- Become a MegaWise member and get access to exclusive benefits, such as updates about the latest MegaWise products.

## 1. Share your experience by leaving an honest review.



Please leave a review with accompanying photos or a video would be greatly appreciated!



Add photos/video

Submit

## 2. CONTACT US

Please scan the QR-code to start chatting (Live chat).



SCAN ME

or visit: [m.me/MegaWiseUSA](https://m.me/MegaWiseUSA)

or

<http://megawise.com/warranty>

Thank you for choosing this product. In order to understand how to easily use this product, please read this instruction manual carefully before use, and retain it for future reference. In the event that you need assistance using the appliance, please contact customer service.

## **CONTENTS**

Package Contents-----	01
Specifications-----	01
Safety Instructions -----	02
Getting To Know Your Humidifier-----	04
Optimal Use-----	06
Operation-----	07
Cleaning-----	09
Troubleshooting Guide-----	10

## 1 PACKAGE CONTENTS

### PACKAGE CONTENTS

1 x Humidifier

1 x User Manual

1 x Removable Nozzle

### SPECIFICATIONS

Input voltage	100-240V, 50/60Hz
Rated Power	23W
Water Tank Capacity	1.18 gallons (4.5L)
Moisture Output	320ml/h
Operating Time	13-40h
Recommended Room Size	215-322 ft <sup>2</sup> (20-30 m <sup>2</sup> )
Dimensions	7.87*7.87*13.6 inches
Product Weight	2.64 lbs

### SAFETY INSTRUCTIONS

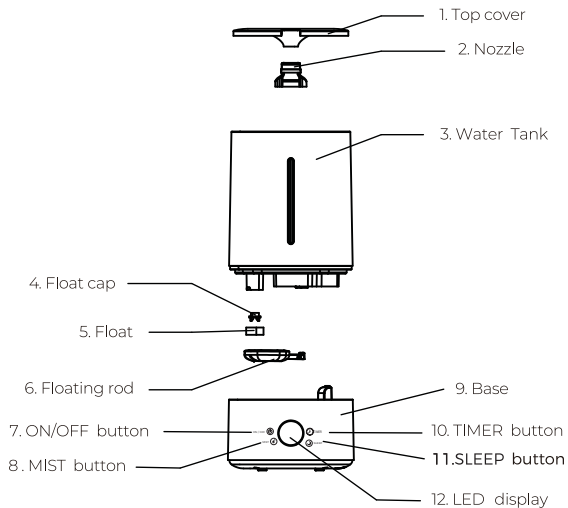
1. Before using the device, please attentively read these instructions and keep them for future reference.
2. Before switching on the unit, make sure that the household mains voltage corresponds to the operating voltage of the unit.
3. Place the unit on a flat, moisture-resistant surface. Distance from the walls should not be less than 15 cm.
4. Do not direct the nozzle of the unit at wooden furniture, electrical appliances, books or any objects which can be damaged by moisture.
5. Do not place the humidifier in the places subjected to direct sunlight, high temperatures, near computers or other sensitive electronic appliances.
6. Do not leave the unit unattended in closed rooms, otherwise condensation can build on the furniture and walls. It is recommend to keep the door of the room where the humidifier is used, half-opened.
7. This unit is not intended for use by children or disabled persons unless they are given all the necessary instructions on safety measures and information about the dangers which can be caused by improper usage of the unit.
8. Do not switch on the unit without water in it. Disconnect the unit from the power supply when the water tank becomes empty.
9. Do not use soda water or any perfume additives.
10. Always unplug the unit before taking the water tank out of the unit.

### 3 SAFETY INSTRUCTIONS

11. Do not block steam outlets and ensure that foreign objects do not get inside them.
12. Do not immerse the unit, the power plug or the power cord into water or other liquids.
13. Do not move or tilt the unit during its operation.
14. Do not touch the unit's plug with wet hands. Unplug the unit before moving it to another location.
15. Before using the unit, closely examine the power cord and make sure that it is not damaged. Do not use the unit if its power cord is damaged.
16. Use only the removable parts which are supplied with the unit. Do not dismantle the unit yourself. If the unit malfunctions, please contact customer service.
17. Always unplug the unit and pour out water from the water tank during cleaning the unit, or you do not intend use it.
18. Regularly clean the unit and inspect the sprayer for cracks.
19. For household use only.

## GETTING TO KNOW YOUR HUMIDIFIER 4

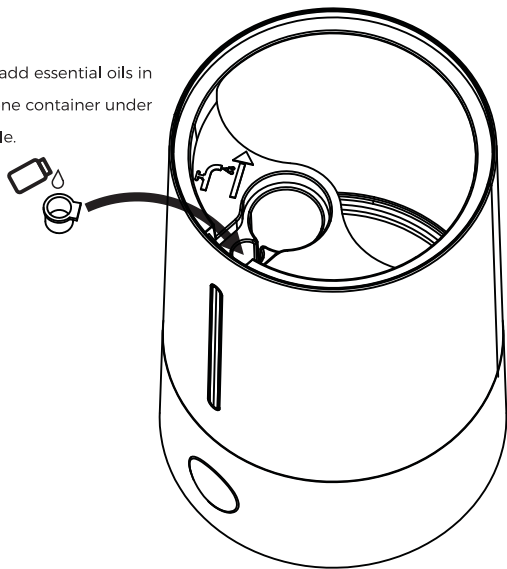
### GETTING TO KNOW YOUR HUMIDIFIER





## 5 GETTING TO KNOW YOUR HUMIDIFIER

You can add essential oils in the silicone container under the nozzle.



**OPTIMAL USE**

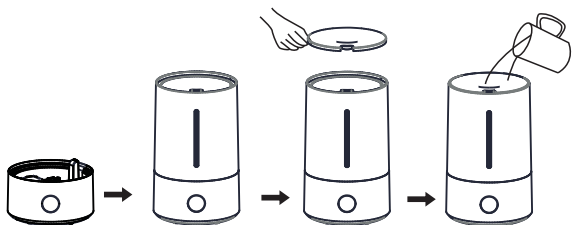
- Before you set up the humidifier, select a location that is firm, level, and flat.
- Please do not place the humidifier on any carpet or towel, otherwise it may leak.
- Do not add essential oils into the water tank. Essential oils may cause damage and leakage.
- It is recommended to use distilled water to prevent mold buildup.
- We recommend cleaning once a week to prevent bacteria and mold.  
The water in the water tank needs to be emptied when it is not in use, otherwise it may cause unpleasant odors.
- Do not use this humidifier in freezing temperatures. The recommend working environment is 10°C - 40°C with a relative humidity (RH) of less than 80%.
- Make sure there is water in the water tank before turning it on.

## 7 OPERATION

### OPERATION

Please remove the foam from the tank float before using the humidifier.

- 1.Remove the top cover, fill the water tank with pure water and secure the top cover (or directly fill the tank with cool water from the top cover).
- 2.Plug in the humidifier.
- 3.Press the ON/OFF button to switch on the humidifier.



### **ON/OFF BUTTON**

Press the ON/OFF button to begin operation of the humidifier.  
Press the ON/OFF button again to cease operation of the humidifier.

### **TIMER BUTTON**

Press the TIMER button to set your desired humidifying time for 1 /2/4/8 hours. The device will automatically turn off when the timer is finished counting down.

### **MIST BUTTON**

Press the Mist button to cycle through the 3 cool mist settings on the humidifier.

Press once for mist level 1.

Press twice for mist level 2.

Press three times for mist level 3.

### **SLEEP BUTTON**

Press the sleep button to enter into the sleep mode. The LED light will be turned off after 5 seconds.

## 9 CLEANING

### CLEANING

1. Unplug the humidifier.
2. Remove the top cover from the water tank. Rinse the nozzle and cover under clean, running water. Then set it aside to air dry.
3. Remove the water tank from the base and pour out any excess water. Add some detergent and warm water in the water tank, soak for 5 minutes.
4. Clean the inside water tank with a cleaning brush or wet cloth.
5. Rinse out the unit with fresh water.
6. Dry all parts with a clean, dry cloth. Make sure all parts of the humidifier are completely dry before reassembling or storing.

### NOTE:

Depending on usage and water type, cleaning to remove scale may be required weekly or every other week to optimize unit performance.

- If you live in a hard water area, we recommend distilled water for your humidifier to help reduce the precipitation of minerals or white deposits.
- Do not clean the unit or water tank with harsh detergents or cleaning chemicals.
- A declassification cartridge or humidifier cleaner capsule may be used to keep tank free of hard mineral deposits.

**TROUBLESHOOTING GUIDE**

<b>Problem</b>	<b>Solution</b>
The operating indicator does not light up, there is no mist.	Check if the unit is plugged in. Check if the power switch is turned on.
No mist coming out of vent.	Low water: Add water to the water tank. Check the unit is properly plugged in.
Unit has stopped working.	No or low water: Unplug unit and refill tank.
The unit produces a bad smell.	Poor maintenance or dirty water: Clean the humidifier thoroughly, and fill with fresh water.
Little mist is coming out of nozzle.	Clean nozzle.
Increased noise level.	Place humidifier on a flat, level surface.

If the above advice doesn't solve any issue you have, please contact customer service.

# CUSTOMER SERVICE

Our customer service team is standing by to assist you if you have any questions or concerns.

Please scan QR-code to start chatting instantly:



Scan QR-c ode & Start Chatting



USE YOUR PHONE  
CAMERA SCAN ME

or visit:

[m.me/MegaWiseUSA](https://m.me/MegaWiseUSA)



LIVE CHAT  
SUPPORT



[m.me/MegaWiseUSA](https://m.me/MegaWiseUSA)



[support@megawise.com](mailto:support@megawise.com)



[megawise.com](https://megawise.com)

# MEGAWISE



Made in China