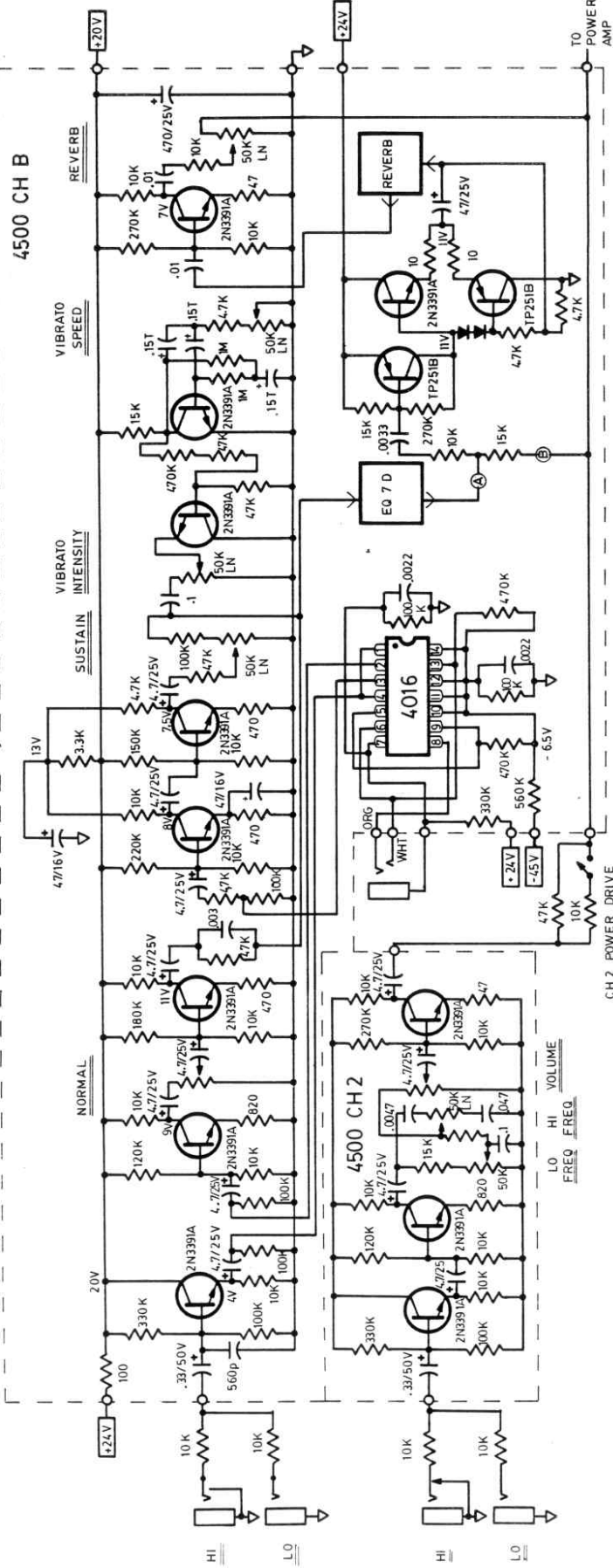
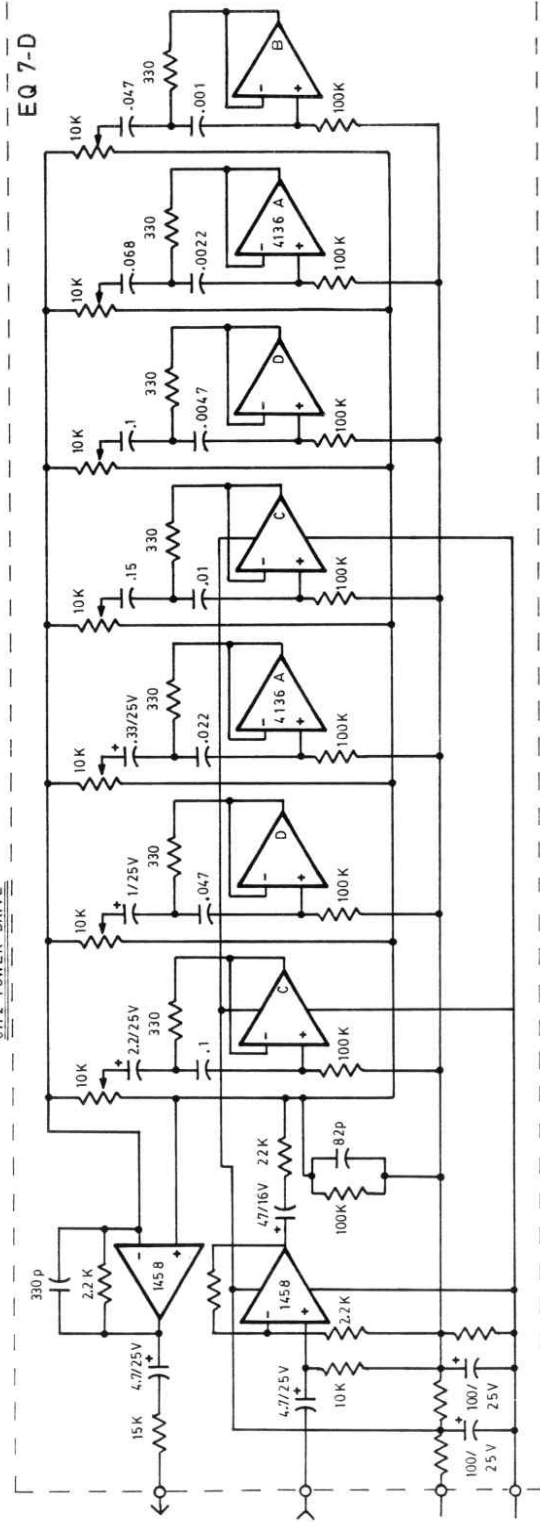


4500 CH B

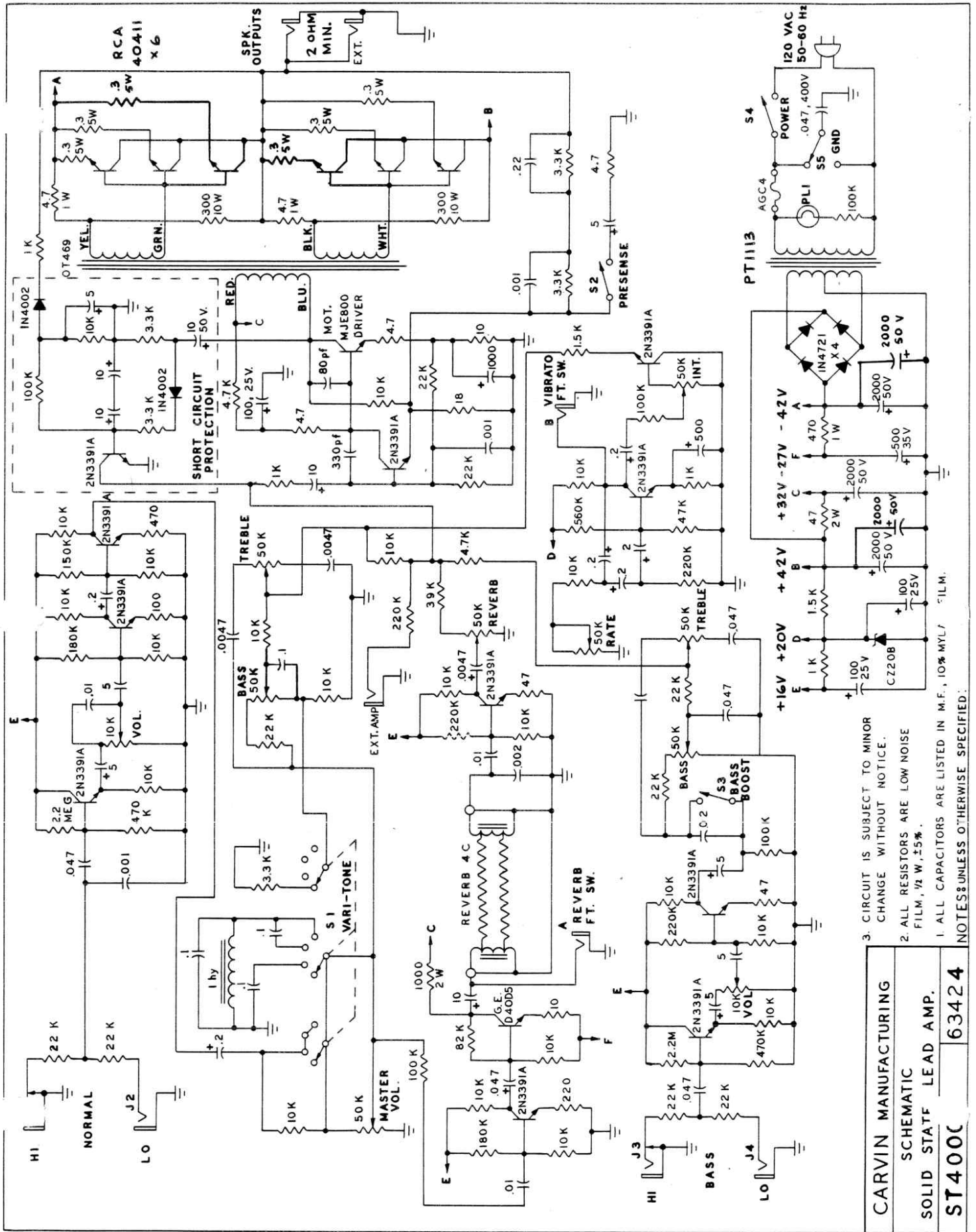


EQ 7-D



REVISIONS	DATE	CARVIN MUSIC CO
	12 19 77	
	DRAWN BY	
	<i>W. Flanery</i>	

ST 2500/ST4500
 PREAMP 4500 CH B, 4500 CH 2
 GRAPHIC EQUALIZER EQ 7 D



3. CIRCUIT IS SUBJECT TO MINOR CHANGE WITHOUT NOTICE.
2. ALL RESISTORS ARE LOW NOISE FILM, 1/2 W., ±5%.
1. ALL CAPACITORS ARE LISTED IN M.F., 10% MYL7 FILM.

NOTES: UNLESS OTHERWISE SPECIFIED:

CARVIN MANUFACTURING	63424
SCHEMATIC	
SOLID STATE LEAD AMP.	
ST400C	