

TRx 3000 SERIES

TRx3210A Active Compact Line Array Element

Features

- ◆ Active 2500W DSP tri-amp module
- ◆ Hang up to 16 Cabinets
- ◆ Stack up to 4 boxes with no hardware
- ◆ Two heavy-duty 10-inch woofers
- ◆ Two high output 1-inch exit HF drivers
- ◆ Black Duratec™ weather resistant finish

The **TRx3210A** serves as the key component in scalable line array systems for medium to large venues. For large venues couple with TRx2218b or TRx3218 subwoofers or the flyable TRx3118A subwoofers.

Applications include:

- ◆ House of worship and concert halls
- ◆ Medium-to-large theaters and clubs
- ◆ Outdoor concerts and street festivals
- ◆ Cinema
- ◆ Theme parks

Description

The **TRx3210A** is an active 2500W full range X-Drive™ DSP processed 3-way compact line array element featuring two high power 10-inch transducers and two HF compression drivers. X-Drive™ DSP processing handles crossover, EQ, and limiting duties. Optimized presets for various speaker configurations are factory programmed. The bullet-proof DCM power amp technology is mounted in a fan ventilated, internally sealed aluminum structure for solid construction and durability. The high frequency section of the **TRx3210A** features two 1-inch exit, Mylar diaphragm compression drivers mounted to the PurePath™ lens system. The PurePath™ lens is CNC machined from acoustically non-resonant Eastern Maple hardwood, providing a smooth equal path length surface for pure and natural high frequency projection. A midrange crossover shift for one of the 10-inch drivers seamlessly couples the low and high frequency drivers for excellent coherence and intelligibility in the critical vocal region. The sum result is coherent phase and transient response across the frequency spectrum.

The **TRx3210A** includes the proprietary SureFlyTRx™ quick release pin rigging system designed for overhead suspension for up to 16 enclosures. The **TRx3210A** is also designed for ground stacking of up to 6 enclosures high on the ground or 4 high on a TRx3018A, TRx2118b, TRx2218b, TRx2121, TRx3118/A or TRx3218 subwoofer without rigging hardware. The bottom of the TRx3210A cabinets feature two 1-3/8 pole mount cups for dual pole suspension of two cabinets on standard poles. The TRx3018A, TRx2118, TRx2121, and TRx3118(A) feature the matching dual pole system.



Go online for detailed operating manual, CAD and EASE data

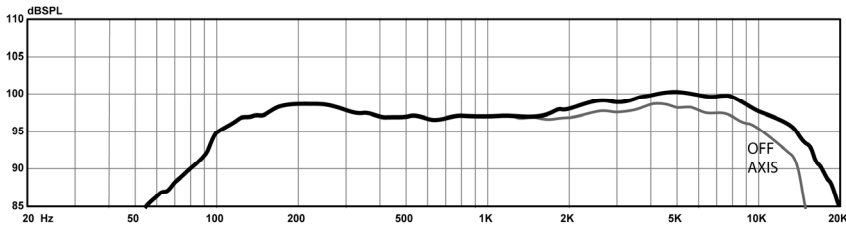
Specifications TRx3210A

System Type:	Active 2500W X-Drive processed Dual 10-inch 3-Way, Bass-Reflex
Frequency Response:	70 Hz – 18.5 kHz (-10dB) 85 Hz – 16 kHz (-3dB)
Coverage Pattern:	100H x 10V Single cabinet
Crossover:	Active DSP Tri-amp
Crossover Frequency:	1.2 kHz (750Hz LP one 10Inch)
Power:	3500W two cycle pulse peak 2500W 20ms burst (1000W, 1000W, 500W) 1600W RMS (625W, 625W, 350W)
Input Sensitivity:	1.0, 1.2, 1.4, or 2.0 Vrms settings
Maximum Input signal:	+12dBu
Maximum SPL:	131dB Peak single
LF Driver:	2x 10-inch 2-inch voice coil
HF Driver:	2x 1-inch exit 1.75-inch voice coil
Enclosure:	13-Ply Russian Baltic Birch
Suspension/Mounting:	14 captive 3/8in-16 nut fly pts. SureFly™ rigging Two 16.5-inch spaced 1-3/8 pole cups.
Finish:	Black Duratec™
Transport:	2 Recessed Handles
Grill:	Black powder coated steel Acoustically Transparent Foam Backing
Connectors:	Signal In/Thru: XLR female/XLR male Remote Level/Mute: Terminal block AC IN/OUT: Locking Neutrik™ PowerCon™
AC Power Req'd:	TRx3210A: 120VAC 50/60Hz 600VA TRx3210A-E: 230VAC 50/60Hz 600VA
Dimensions (H x W x D):	11.8 in x 23.5 in x 14.8 in 300 mm x 600 mm x 376 mm
TRx3210A Net Wt:	60 lb (27 kg) with Flyware
Rigging Accessories:	SureFlyTRx™ rigging kit 6.9 lb (3.1kg) SureFlyTBar™ T-bar kit 11 lb (5kg) TCSHK58 5/8" Shackle 1.3 lb (0.5kg)
Origin:	Made in the USA



Frequency Response

Single enclosure. Off Axis = 55 deg. horizontal.

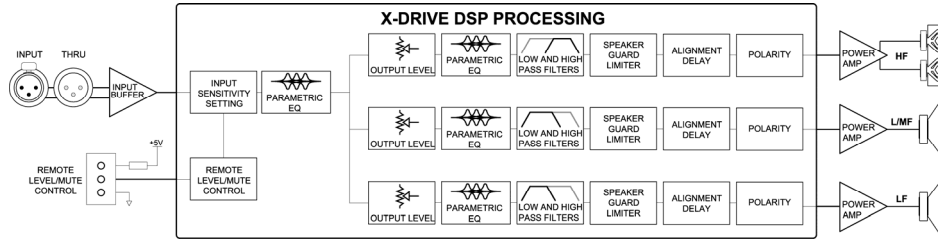


Inside the PurePath™ HF lens.



Four TRx3210A's stacked on TRx3018A

Block Diagram

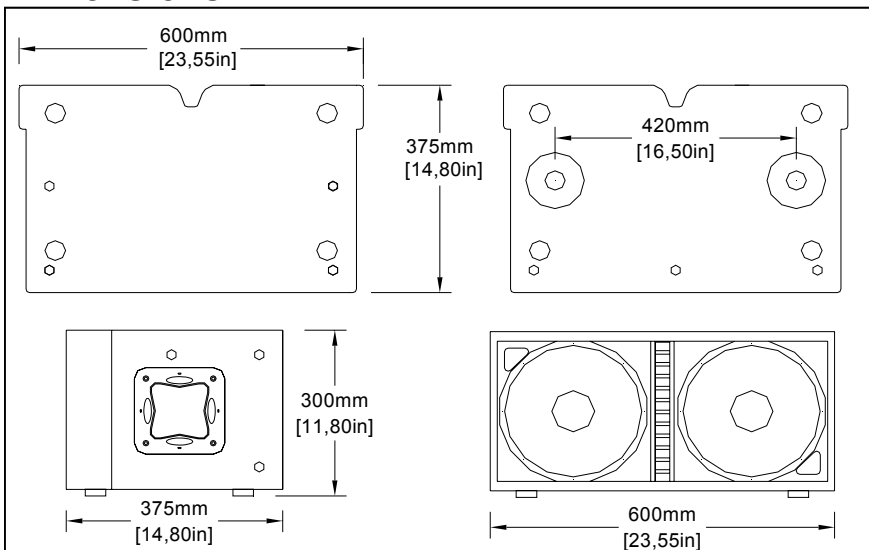


Control Panel



The 2500W TRx3210A triamp power module features Input and Thru balanced XLR connectors, Terminal Block remote level/Mute Control, and IN and OUT AC PowerCon™ connectors. The display provides access to input sensitivity and optimized presets for array hangs and ground stacks.

Dimensions



Ten TRx3210A hang with four straight and six at 5 degrees

SureFlyTRx Hardware

