

TRx 3000 SERIES

TRx3010A Dual 10-inch Active Subwoofer

- ◆ Compact cabinet high power to weight ratio
- ◆ 2500W high efficiency class D active module
- ◆ DSP - crossover, dynamic limiting, EQ and alignment Delay
- ◆ Optimized presets for running two external TRx3903 columns
- ◆ Dual TSUB10, 10-inch subwoofers with extended voice coils
- ◆ Russian Baltic Birch bracing and construction
- ◆ 16-Gauge Black Grill
- ◆ Black Duratec™ weather resistant finish

Applications

- ◆ Medium-to-large clubs and banquet halls
- ◆ House of worship and schools
- ◆ Outdoor concerts and street festivals
- ◆ Mobile DJ's and bands

Description

The **TRx3010A** is our highest power to weight ratio subwoofer. Designed to be a large sound system in a very small footprint. Placing the **TRx3010A** vertical has a mere 16x18 inch footprint while powering and supporting two TRx3903 columns.

Active module

The **TRx3010A**'s amplifier module features X-Drive™ DSP processing and 3 channels of bullet-proof DCM power amp technology using FR4 double sided circuit boards in a fan ventilated, internally sealed aluminum structure for solid construction and durability. The X-drive EQ, crossover, dynamic limiting and alignment delay processing is preset optimized for powering TRx3903's and provides a preset for user adjustable crossover for the internal sub and the external amplifier.

Versatile positioning and stacking

The **TRx3010A**'s small vertical footprint is ideal for tight spots and lowering stage obstruction. A second pole mount is provided for pole mounting TRx3903's in the horizontal position. In the horizontal position, up to four **TRx3010A**'s can be stacked creating a cardioid array for wider forward dispersion and lower rear projection. Foot print cups lock the cabinets together and these are compatible with the TRx3210 and TRx3210A line array elements.

Construction:

The **TRx3010A**'s enclosure is constructed of CNC machined 11-Ply Premium Russian Baltic Birch and covered in our weather resistant black DuraTec™ coating. Two deep, corner located ports along with internal bracing produce a very strong structure and coherent sub frequency output. The added strength and rigidity of the corner ports increase the efficiency of the speaker's output into the room, not wasting energy on vibrating the cabinet's walls.



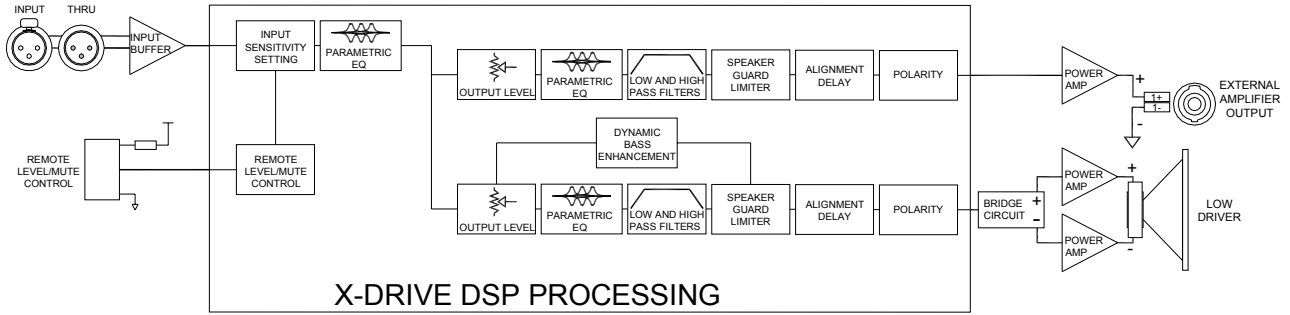
Specifications TRx3010A

System Type:	Active 2500W X-Drive processed Dual 10-inch Sub, bass-reflex
Freq. Response:	40 Hz – 1.5 kHz (-10dB) 43 Hz – 1 kHz (-3dB) Bass Enhance mode: 15Hz < normal
Coverage Pattern:	Omni - Cardioid in stacked arrays
Crossover Freq.:	Active DSP presets, And adjustable for 58-160 Hz @24dB/oct.
Power:	3200W pulse (1920W sub/1280W ext.) 2500W 20ms burst (1500W sub/1000W ext.) 1875W RMS (1250W sub/625W ext.)
Input Sensitivity:	1.0, 1.2, 1.4, or 2.0 Vrms settings
Maximum Input signal:	+12dBu
Maximum SPL:	128dB peak
Driver:	2x 10-inch, 2.5-inch extended voice coil
Enclosure:	11-Ply Russian Baltic Birch
Suspension/Mounting:	2 x 1-3/8-inch Pole Cups Foot receivers for TRx3210 and TRx3010A
Finish:	Black DuraTec™
Transport:	2 Recessed Handles
Grill:	Black powder coated steel
Connectors:	Signal In/Thru: XLR female/XLR male External Speaker: 4 pin twist-lock Remote Level/Mute: Terminal block AC IN/OUT: Locking IEC receptacles
AC Power Req'd:	TRx3010A: 120VAC 50/60Hz 600VA TRx3010A-E: 230VAC 50/60Hz 600VA
Dimensions (H x W x D):	15 in x 23.5 in x 18 in 381 mm x 597 mm x 458 mm
Net Wt:	57 lb (26 kg)

Made in the USA.



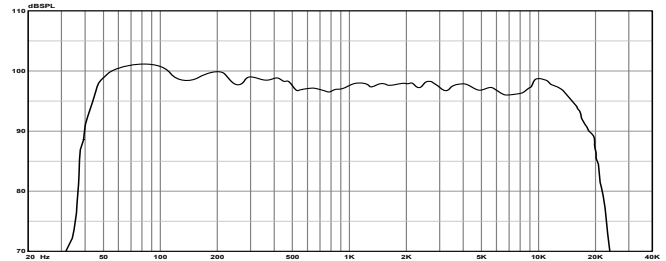
Block Diagram and DSP Signal Flow



Rear Control Panel

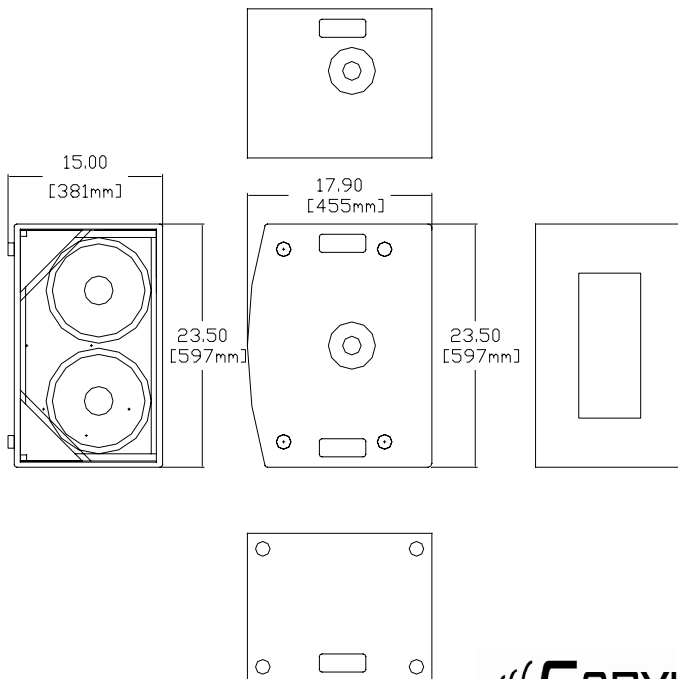


Frequency Response at 1w / 1m Shown as TRC210A (half of a TRC410A) System



The 2500W TRx3010A power module features Input and Thru balanced XLR connectors, Terminal Block remote level/ Mute Control, Input and Thru locking IEC AC power connectors, and a twist lock connector for driving the external top speaker. The display provides access to preset processed speakers setting for several Carvin Speakers and for sub only and generic external speaker crossover settings. Also on the display you can access input sensitivity setting, external speakers level, polarity setting of the sub, and turn on or off the dynamic bass enhancement. The dynamic bass enhancement mode extends the low frequency response another 15Hz with a boost in the 35-50Hz range.

D



TRC210A

system
Two TRx3903's
One TRx3010A

TRC410A

system
Four TRx3903's
Two TRx3010A

TRC610A

system
Consist of the
TRC350A system
with two more
TRx3010A's

