

# TRx 2000 SERIES

## TRx2153 15-inch 3-Way Main

### Features

- ◆ Medium Throw Full Range Trapezoid design
- ◆ Passive full range or Bi-amp crossover
- ◆ Heavy-Duty Cast 15-inch Woofer
- ◆ Heavy-Duty 8-inch horn loaded MF driver
- ◆ Titanium 1.4-inch exit, 2.5-inch VC, HF driver
- ◆ Black Duratec™ weather resistant finish

### Application

The TRx2153 is designed to control and throw mids and highs further with its horn loaded 8-inch mid section. The TRx2153 works as a stand alone 80 degree coverage a full range system or for larger reinforcement coupled with our TRx2118B for a four way extended low frequency system. Effective for both permanent and portable applications, it comes with handles, rubber footpads, and 12 fly points.

Applications include:

- ◆ Large Club Systems
- ◆ Outdoor Medium Throw 100+Feet
- ◆ Large House of Worship

### Description

The TRx2153 is our finest 3-way enclosure featuring a trapezoidal design with a 80x50 high and mid frequency medium throw horn loading. The trapezoid design allow several boxes to be clustered together for wider coverage and more SPL output. The TRx2153 features a 15-inch cast driver, 8-inch midrange, and 1.4-inch exit titanium 2.5-inch Voice coil HF driver. The system features a full range internal crossover with mid/high and LF Bi-amp accessible through single 4-pin twist lock connectors. There are 12 fly points for overhead suspension. The enclosure is constructed of CNC machined 13-Ply Premium Russian Baltic Birch with heavy gauge steel powder coated front grills. The crossover includes two 4 pin twist lock high current connectors mounted on FR4 double sided circuit boards for solid construction and durability. Carvin's exclusive Speaker Guard™ HF Driver protection uses a self resetting circuit to dim the HF driver 10 dB protecting the voice coil from excessive power. The benefits are the driver is not turned off losing all the high frequencies, the circuit resets as soon as the high frequency content is back to normal levels.

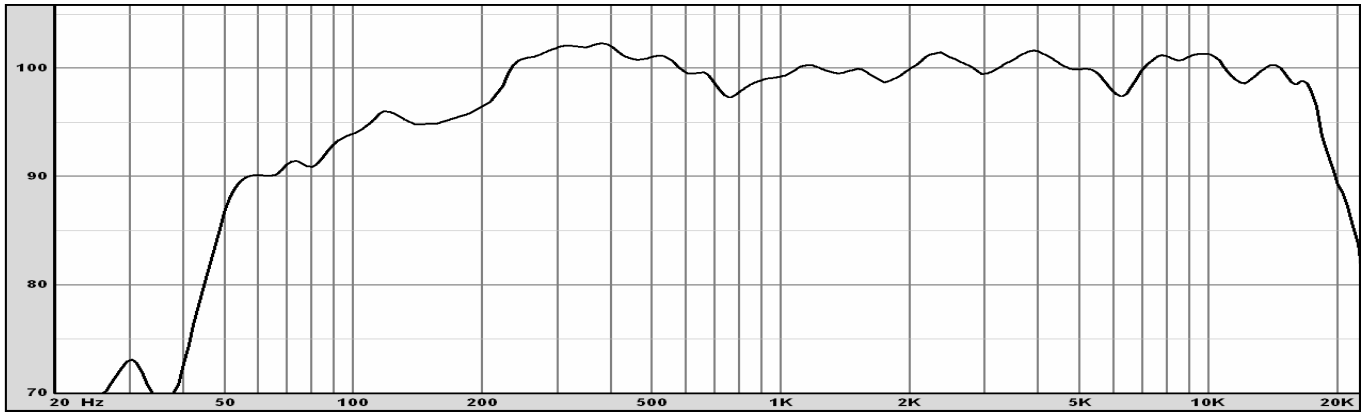


### Specifications TRx2153

System Type:	15-inch 3-Way, bass-reflex
Frequency Response:	50 Hz – 20 kHz (-10dB) 60 Hz – 18 kHz (-3dB)
Coverage Pattern:	80H x 50V
Crossover:	3-Way with Speaker Guard™ HF protection
Crossover Frequency:	500Hz, 1.5kHz
Power:	Continuous / Program / Peak
Full Range	600w / 1200w / 2400w
Recommended Amplifier Power:	600 – 1600w
Sensitivity (1w @ 1m):	100dB
Maximum SPL:	134dB Peak
LF Driver:	15-inch cast frame, 3-inch VC
MF Driver:	8-inch, 2-inch VC
HF Driver:	1.4-inch exit, 2.5-inch VC
Nominal Impedance full range:	8 ohms
Bi-amp LF:	8 ohms 600w / 1200w / 2400w
Bi-amp MF/HF:	8 ohms 200w / 400w / 800w
Enclosure:	13-Ply Premium Russian Baltic Birch
Suspension/Mounting:	12 captive 3/8in –16 nut fly points
Finish:	Black Duratec™
Transport:	4 Recessed Handles
Grill:	Black powder coated steel Acoustically Transparent Foam Backing
Connectors:	Two 4-pin twist lock connectors
Dimensions (H x W x D):	41.5 in x 19 in x 17 in 1054 mm x 482 mm x 432 mm
Net Wt:	82.6 lb (37.5 kg)
Rigging Accessories:	TCSHK10 3/8-16 Eyebolt TCSHK58 5/8 Shackle



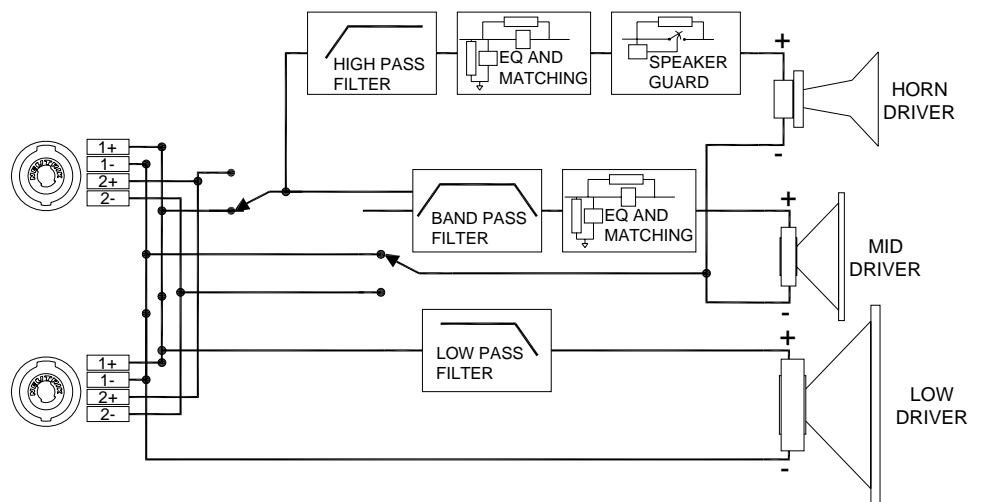
## Frequency Response at 1Watt / 1 Meter



## TRx2153 Rear Plate



## Block Diagram in Full Range Normal Mode



## Dimensions

