

4. ADDED AS SECONDARY OPERATION.
 3. ALL DIODES ARE TYPE 1N400X, EXCEPT AS NOTED.
 2. ALL CAPACITORS IN MICROFARADS, EXCEPT AS NOTED.
 1. ALL RESISTORS IN OHMS.

NOTES: UNLESS OTHERWISE SPECIFIED.

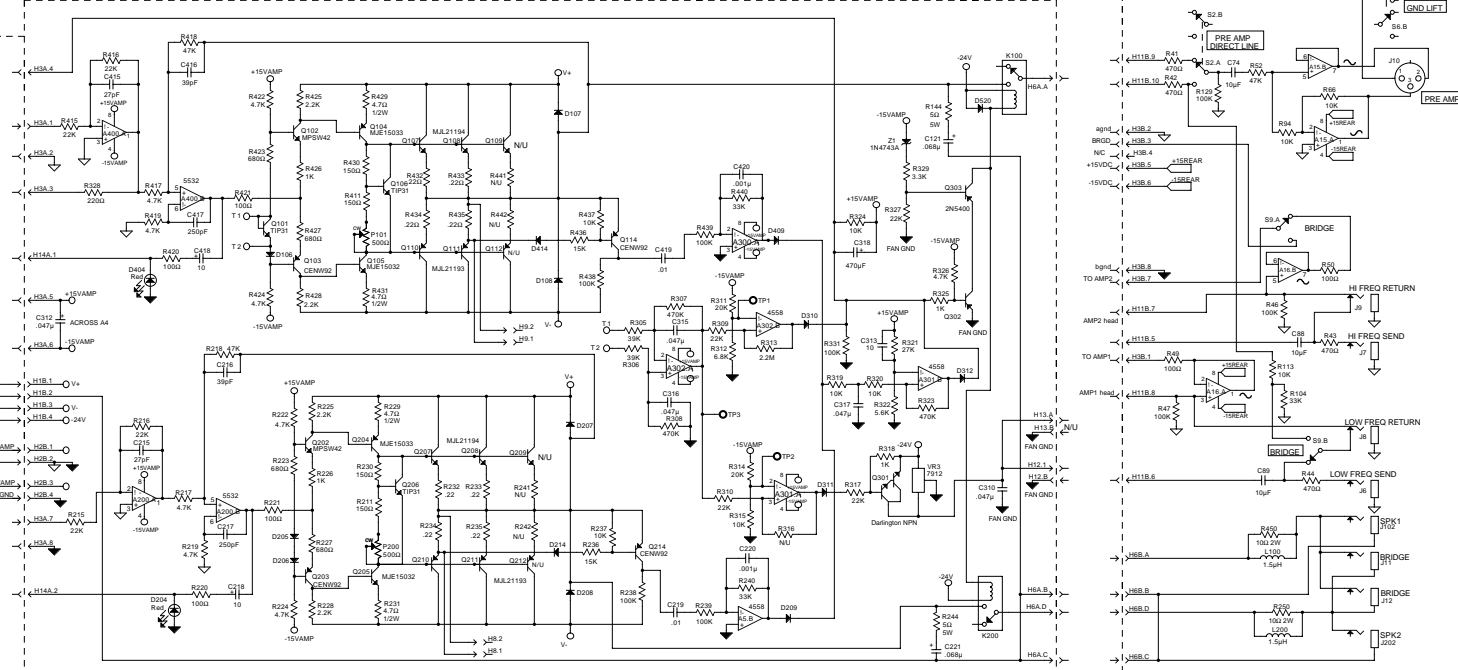
12340 World Trade Drive
 San Diego, CA 92128
 (619) 487-1600
 FAX 487-8629

CARVIN
R600, R1000
System Master

DRAWN BY: GEORGE DREYER DATE: 10JUNE97
 APPROVED: DATE:
 PCB NO: 30-40600 REV: H
 ASBY: 80-40626 REV: J
 NO: 80-41000 REV: K
 REVISED BY: C. MICELEN DATE: 15SEP98

- Changes from Assembly Rev (H3).
 1. Revised jacks to front panel.
 2. Revised header numbering.
 3. Revised PCB to Rev (G).
- Changes from Assembly Rev (H4).
 1. Moved Clip LEADS to Front PCB D103, D203.
 2. Revised headers H3 & H4.
 3. Revised PCB to Rev (H).
- Changes from Assembly 80-41000 Rev (I).
 1. R519 from 100Ω to 36Ω.
- Changes from Assembly 80-41000 and 80-40626 Rev (J&K).
 1. C28 from .022μ to .033μ.

- CHANGES FOR R1000 ASSEMBLY: 80-41000
- Add Q109, Q209 (Type: MLL 2119A).
 - Add Q112, Q212 (Type: MLL 2119S).
 - Add R441, R442, R241, R242 (0.22Ω).
 - Change C501, C502 to 100kM² @ 80V.
 - Change R217, R417 From 4.7K to 3.3K.



#689 #690 B1 B2 C0208
□ □ □ □ 10KΩ
#2523 #2525 63V

