

# PM15 & PM15A

## 15-inch 2-Way Main / Monitor

### Features

- ◆ Compact light weight design
- ◆ Heavy-Duty 15" Woofer
- ◆ Titanium 1-inch exit (1.5" VC) HF driver
- ◆ Rear 30° angled design for floor monitoring
- ◆ Water Resistant Polypropylene Enclosure

### Application

The **PM15** is designed to stand alone as a full range sound reinforcement loudspeaker, to lay down for a full range monitor, or to couple with our LSx1801 for a three way extended low-end system. Designed for both permanent and portable applications, it comes with 4 fly points, rubber footpads, and a 1-3/8-inch pole mount cup.

Applications include:

- ◆ Club System
- ◆ House of Worship
- ◆ Auditoriums
- ◆ Band PA
- ◆ Satellite system



### Description

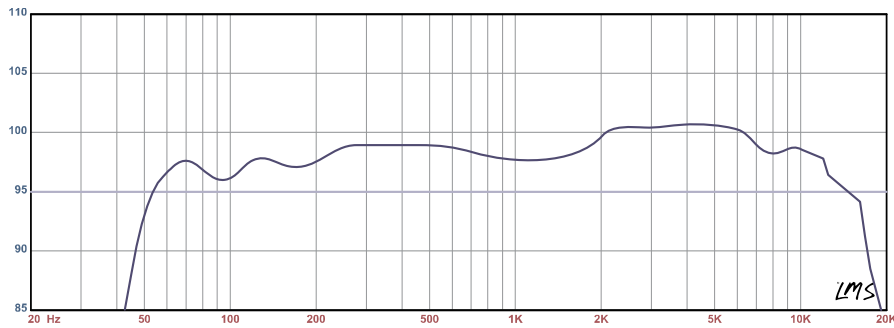
The **PM15** incorporates premium components housed in a rugged water resistant enclosure, designed for crystal clear sound in small to medium size venues. The high power drivers feature large magnet structures for high efficiency producing more output per watt. The enclosure is made of molded virgin polypropylene that won't chip or crack. The woofer is protected by a heavy gauge steel powder coated grill. Carvin's HF driver protection uses a self leveling PTC thermistor circuit to protect the HF driver from excessive power. The circuit resets as soon as the high frequency content is back to normal levels. Two combination Speakon - 1/4" input jacks allow for versatile connections and chaining of speakers. Rubber foot pads on the bottom interlock with receptacles on the top for stacking two **PM15's**. The bottom pole mount cup offers universal mounting to pole stands or **SS10** wall mounts. For installations, 4 fly points allow the **PM15** to be hung or use the optional **LMUB** brackets.

### Specifications PM15

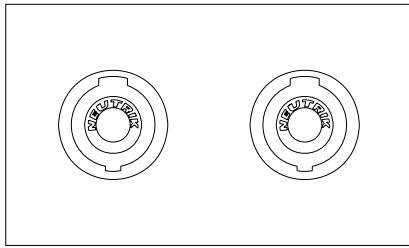
<b>System Type:</b>	15-inch 2-Way, bass-reflex
<b>Frequency Response:</b>	47 Hz – 18 kHz (-10DB) 58 Hz – 17 kHz (-3 dB)
<b>Coverage Pattern:</b>	90°H x 30°V(up) x 45°V(down)
<b>Crossover:</b>	2-Way with HF protection
<b>Crossover Frequency:</b>	2.5 k Hz
<b>Power:</b>	Continuous / Program / Peak
<b>Full Range</b>	400w /800w /1600w
<b>Recommended Amplifier Power:</b>	400 – 800w
<b>Sensitivity (1w @ 1m):</b>	99dB
<b>Maximum SPL:</b>	125dB / 131dB peak
<b>LF Driver:</b>	15-inch Woofer
<b>HF Driver:</b>	1-inch exit 1.5-inch VC Titanium Driver
<b>Nominal Impedance full range:</b>	8 ohms
<b>Enclosure:</b>	Virgin Polypropylene
<b>Suspension/Mounting:</b>	1-3/8-inch pole mount cup 4 Fly Points
<b>Transport:</b>	2 Handles
<b>Grill:</b>	Black steel
<b>Connectors:</b>	Two Neutrik Combo 1/4-inch / Speakon's
<b>Dimensions (H x W x D):</b>	710 mm x 454 mm x 300 mm 27.875 in x 17.875 in x 13.125 in
<b>Net Wt:</b>	16 kg (35.4 lb)
<b>Optional Accessories:</b>	CVL15 cover SS20 adjustable floor stand SS10 wall mount bracket LS1801 sub with SS4 adj. pole SS5 dual pole mount LMUB suspension "U" bracket

# CARVIN

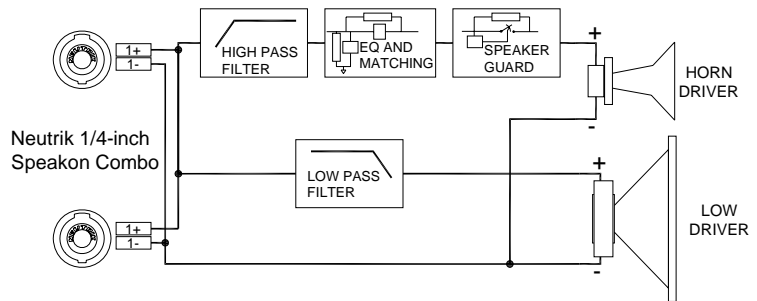
# Frequency Response



## PM15 Rear Plate



## Passive Block Diagram in Full Range Mode



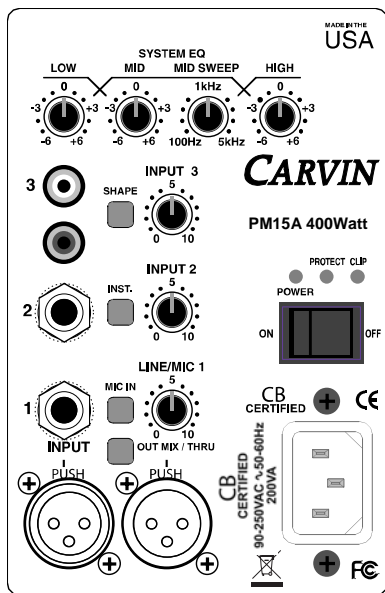
## Active PM15A Description

The **PM15A** incorporates powerful Class-D amplifier technology powered by an efficient switch-mode power supply. The PM15A model also features a 3-Band EQ with Mid-sweep for final room adjustments, 3 channels with individual level controls, internal active multi-band limiters for LF and HF driver protection, and an 18db/octave low cut filter for a smooth low-end optimized to the enclosure. The input XLR can take in line levels or be switched to mic levels for direct microphone input. The output XLR parallel the input XLR for daisy chaining or it can output the mix of all three channels.

## Specifications PM15A

<b>System Type:</b>	Internal Active system
<b>Speaker Protection:</b>	Active HF & LF Limiter
<b>Crossover Frequency:</b>	2.5 k Hz
<b>Maximum SPL:</b>	122dB / 128dB peak
<b>Internal Amplifier full range:</b>	400Watts
<b>Connectors:</b>	Two XLR's one Male, one Female Two 1/4 TRS phone jacks Two RCA jacks
<b>AC Power Requirement:</b>	90-250VAC 50-60Hz
<b>Net Wt:</b>	18.1 kg (40 lb)

## PM15A Rear Plate



## Suspension with LMUB Bracket

