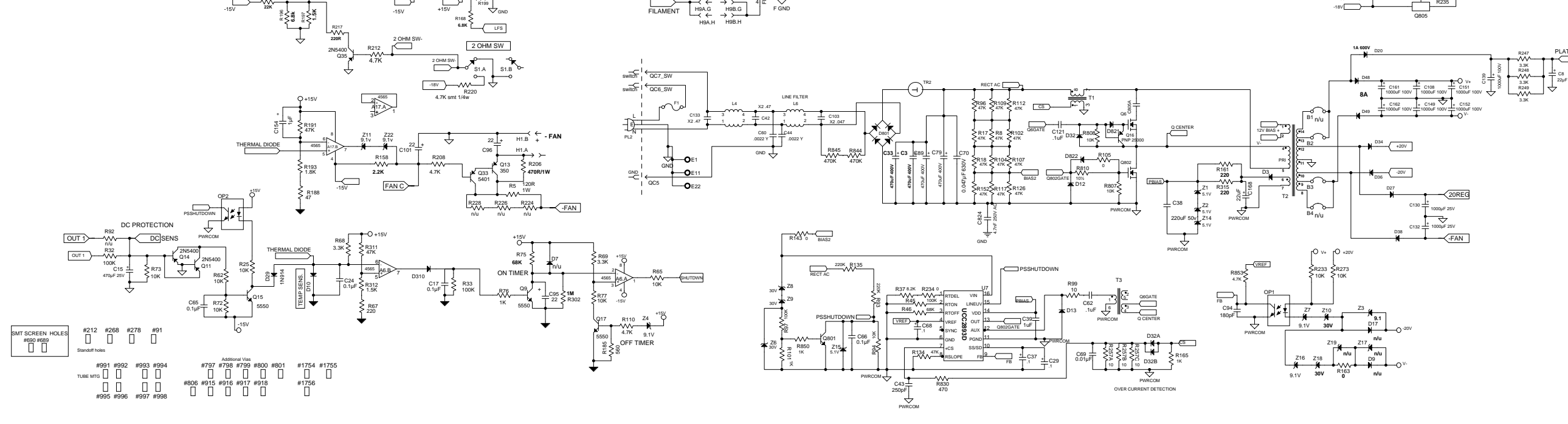


NOTES: UNLESS OTHERWISE SPECIFIED:  
 4. ADDED AS SECONDARY OPERATION.  
 3. ALL OP AMPS ARE TYPE 4556, EXCEPT AS NOTED.  
 2. ALL CAPACITORS IN MICROFARADS, EXCEPT AS NOTED.  
 1. ALL RESISTORS IN OHMS

**CARVIN** 12340 World Trade Drive  
 San Diego, CA 92128  
 (858) 487-1600  
 FAX 487-6629

**BX700 System Master**

DRAWN BY: ERIC PETERSEN DATE: 08AUG2008  
 APPROVED: DATE:  
 PCB NO: 30-45500 REV: L  
 ASSY NO: 30-45507 (BX700) REV: L 001  
 REVISED BY: ERIC PETERSEN DATE: 21NOV2013



SMT SCREEN HOLES #890 #898

#212	#268	#278	#91
#991	#992	#993	#994
#995	#996	#997	#998

Additional Pins

#797	#798	#799	#800	#801	#1754	#1755
#806	#915	#916	#917	#918	#1756	

TUBE MTO

--	--	--	--	--	--	--

- E21 ● E24
- E23 ● E26
- E22 ● E4