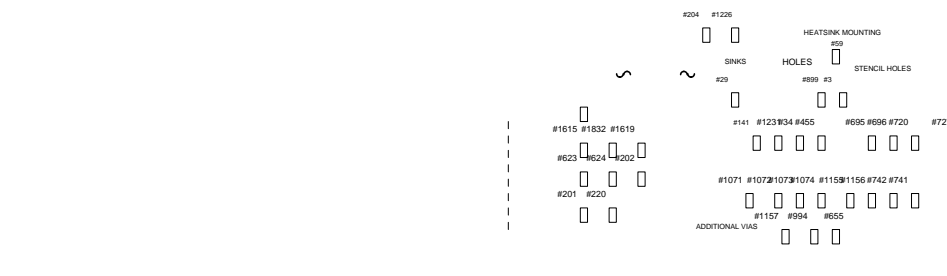
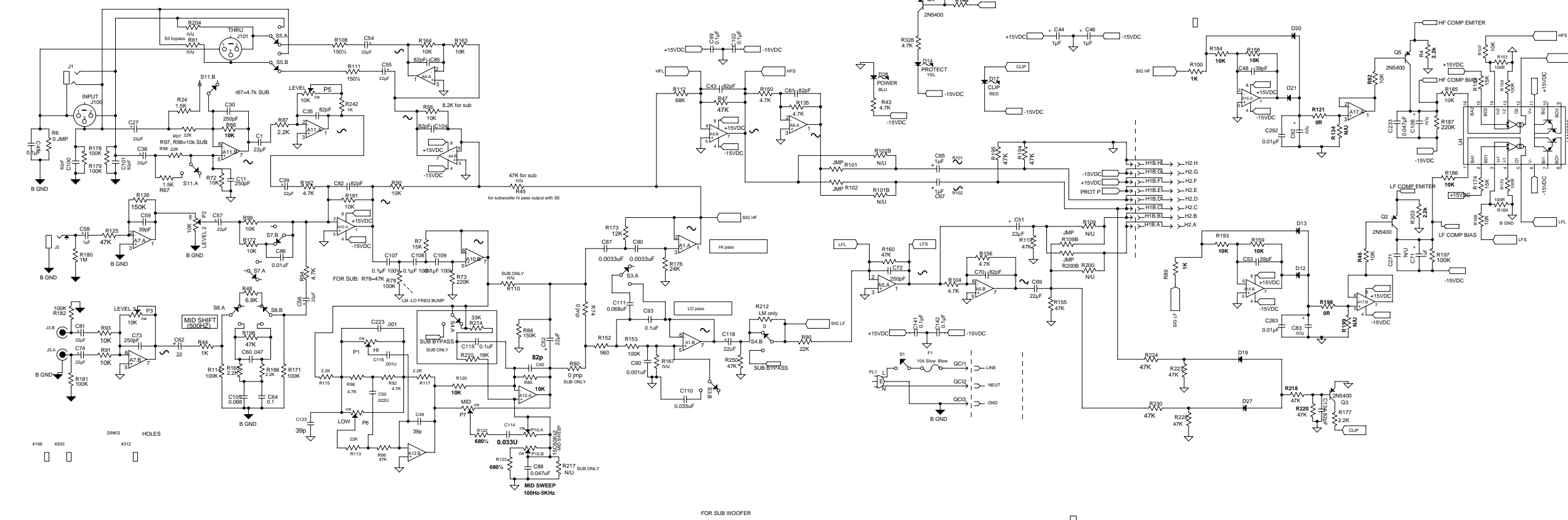
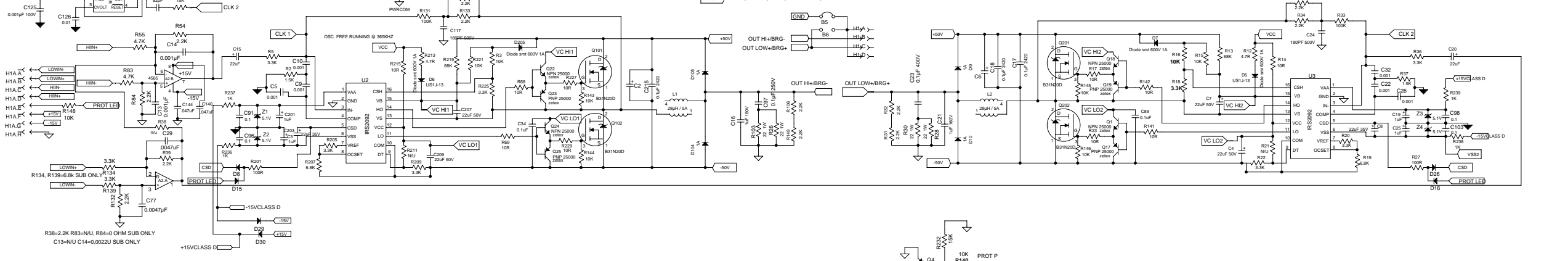


4. ADDED AS SECONDARY OPERATION.
 3. ALL DIODES ARE TYPE 1N4003, EXCEPT AS NOTED.
 2. ALL CAPACITORS IN MICORFARADS, EXCEPT AS NOTED.
 1. ALL RESISTORS IN OHMS

NOTES: UNLESS OTHERWISE SPECIFIED.

CARVIN	
12340 World Trade Drive San Diego, CA 92128 (858) 487-1600 FAX 487-6629	
POWERED SPEAKER MODULE Class D 1200WATT	
DRAWN BY:	DATE:
APPROVED:	DATE:
PCB NO: 30-08120	REV: E
ASSY NO: LS-81-08121 LM-81-08122	REV: D
REVISED BY: MATT OTAVKA	DATE: 18MAY12

Rev B FOOTPRINT CORRECTIONS AND PROTO IMPROVEMENTS
 Rev C ADDED CURRENT SENSE AND GATE DRIVE TRANSFORMERS
 Rev D ADDED PHASE SELECTION FOR LOW FREQ AMP
 Rev E MOVE TRACE AROUND POT LEGS, SHORT SWITCH FOR SW



FOR SUB WOOFER
 R214, R152=33k; R210, R153 = 18k; R173=10k; C176=22k
 C80, C87, C115=0.1uF; C88, C93, C111=0.047uF; C90 = 0.01uF; C110=0.033uF

