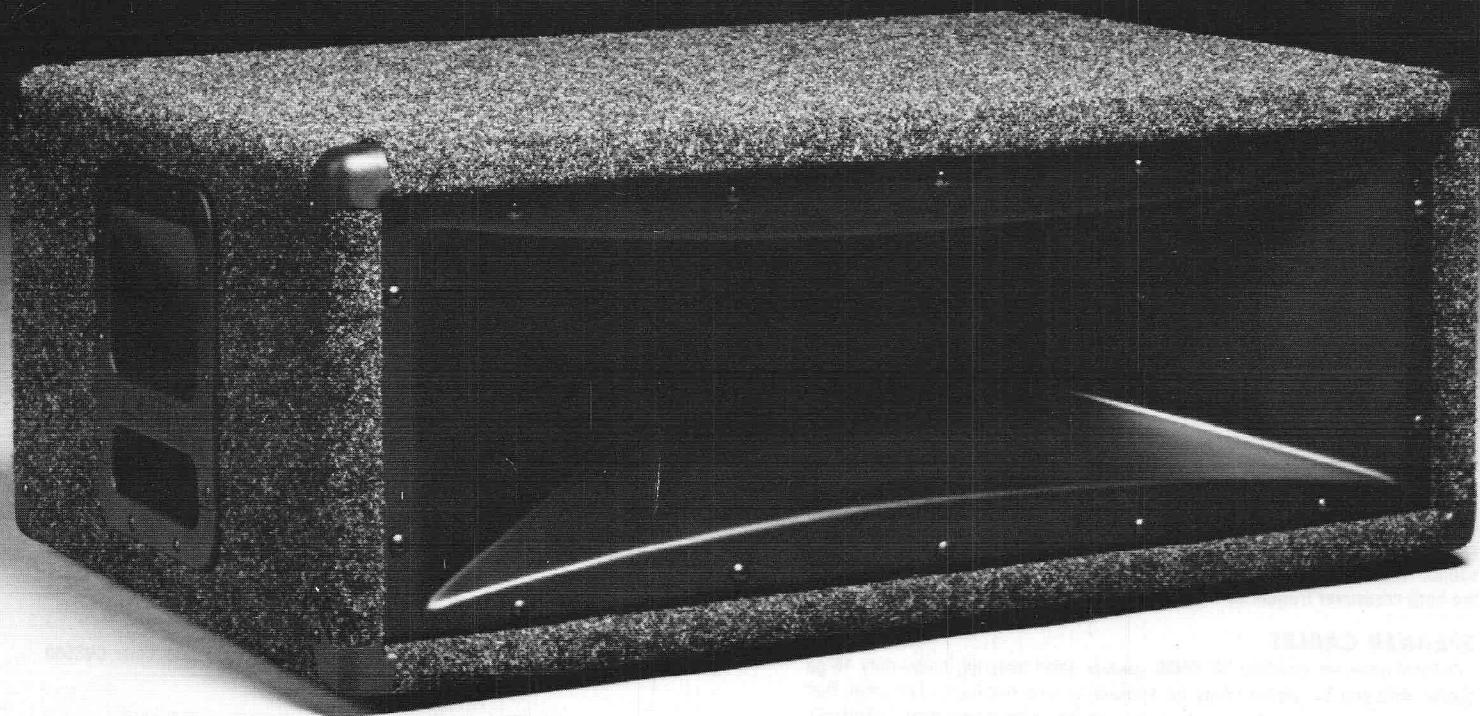


CARVIN

560 Radial Horn System

The 560 Radial Horn System employs Carvin's titanium horn driver coupled to a highly damped (polypropylene) radial horn. The 560 can be combined (in singles or in arrays) with the 2210 Midrange System and 4018 Low Frequency System to create custom Tri-Amped concert sound systems. An internal crossover also allows the 560 to be used in a passively crossed over two-way system with the 4018 Sub Woofer.



CARVIN

10000 Alameda Blvd. (202) 251-9200

CONGRATULATIONS on your selection of CARVIN products: "The Professional's Choice." Your new horn system demonstrates CARVIN's commitment to producing the highest quality & most thoroughly engineered products in pro audio.

Please send in the warranty card. It will allow us to better understand how you are using the equipment while keeping a ready reference for our files.

RECEIVING INSPECTION

INSPECT YOUR SPEAKER SYSTEM FOR ANY DAMAGE which may have occurred during shipping. If any damage is found, notify the shipping company and call CARVIN immediately.

SAVE THE CARTON & ALL PACKING MATERIALS. In the event you have to re-ship your speaker, always use the original carton and packing material. This will provide the best possible protection for your speaker during shipment. **CARVIN and the shipping company are not liable for any damage caused by improper packing.**

SAVE YOUR INVOICE. It will be required for warranty servicing of your unit. Always check your invoice against the items you have received.

SYSTEM CONNECT PLATE

Your horn system offers a built-in CROSSOVER that divides the amps output into HI and LO frequencies. The purpose of your crossover is to protect the drivers and to make sure that your drivers receive the proper frequencies.

SUGGESTIONS FOR OPTIMAL PERFORMANCE

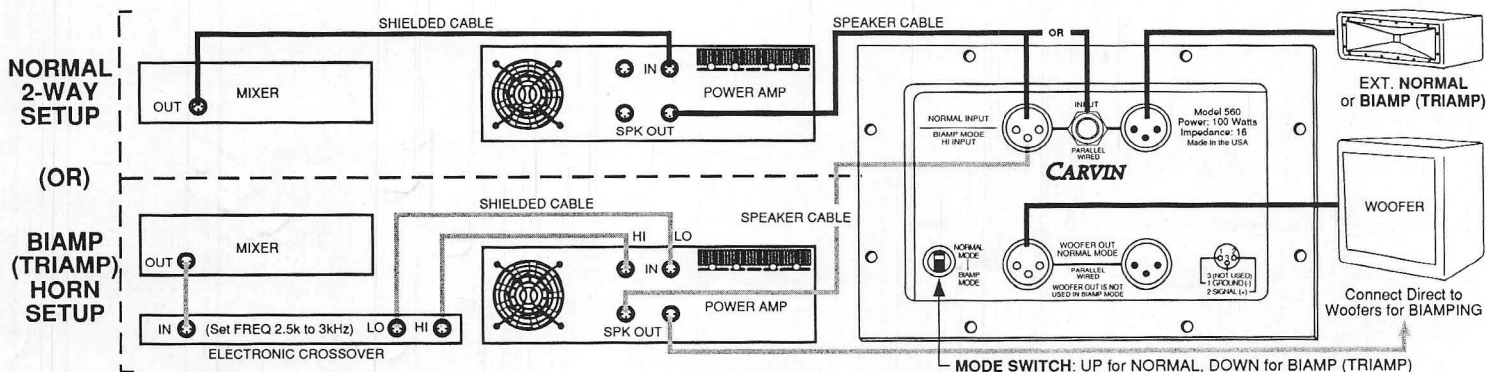
- 1) Direct the horn to the ear level of your audience for optimal coverage.
- 2) Control feedback with a graphic or parametric equalizer—keep the horn in front of the microphones (**feedback may damage your horn driver**).
- 3) **CAUTION: Using a high powered amplifier in its "Bridged" mode may exceed the power rating of this system and damage the horn driver.**

DAISY CHAINING (EXTENSION SPEAKER)

The Rear Connect Plate on all CARVIN horn systems permit extending ("Daisy Chaining") one additional speaker system to your amp. It is not recommended that you "daisy chain" more than one system. You must also recalculate the total speaker impedance to your amp. If your horn has a 16Ω impedance and you daisy chain another 16Ω horn, your total impedance is 8Ω. Most power amps are not designed for less than 4Ω or they will "thermal protect" and shut down. If you are using the 1/4" Phone Jack for the input, you may use the XLR connector for the extension horn or vice-versa.

DRIVER PRECAUTIONS

- Be advised of the following conditions to protect your speaker system:
- 1) **DO NOT EXCEED THE POWER RATING** marked on the rear connect plate (Carvin systems are conservatively rated allowing occasional peak power above the normal rating. However, excessive power will destroy the drivers).
 - 2) **DISTORTION (square wave) will destroy drivers regardless of power ratings.**
 - 3) **WATER, MOISTURE, and DUST** are harmful to drivers causing failure that is not covered under warranty.



For the **NORMAL 2-Way** (horn & woofer) system hookup, use the NORMAL 2-Way connections in the above drawing. For system versatility, you have a choice of a 1/4" phone or XLR connectors for the HORN connection. The WOOFER must be connected by an XLR speaker cable from the Connect Plate "WOOFER OUT" to the Woofer. Be sure the **MODE SWITCH** is set **UP** to the **NORMAL** (factory setting). If not, your amp may go into the PROTECT mode.

XLR CONNECTOR WIRING: Pin 1; GROUND, Pin 2; HOT (red binding post on your amp), Pin 3; Not used.

BIAMPING (TRIAMPING) INPUTS

By dividing your signal into to Hi and Lo bands by an Electronic Crossover (HI to one amp and LO to another amp), you have independent control over your Woofer and Horn. To setup for **BIAMPING (TRIAMPING)**, remove the rubber cap and move the **MODE** switch **DOWN**. See the above drawing.

HORN CONNECTIONS: Connect the amplifier with the HI frequency output to the HORN(S) to the top left XLR. You may use the top right XLR to daisy chain to the 2nd horn.

WOOFER CONNECTIONS: Connect the amplifier with the LO frequency output DIRECTLY to the WOOFERS. DO NOT USE the "WOOFER OUT" on the connect plate!

IMPORTANT: Set the frequency of the electronic crossover for 3k. You can experiment by adjusting your frequency range from 2.5k to 5k Hz for your desired sound. **NOTE: The horn driver power capacity is reduced substantially as the horn crossover frequency is reduced below 2.5k.**

SPEAKER CABLES

CARVIN offers its standard 50' PH50 speaker cable featuring heavy-duty 16 ga copper wire and 1/4" phone plugs for speaker to amp hookups. For amps that feature XLR speaker output connectors, you may select the heavy-duty CARVIN 50' XLR XP50 speaker cable. For longer runs over 150', 14 ga. wire is recommended. **IMPORTANT: Do Not Use Shielded Guitar or XLR Mic Cables.** Using a shielded cable could cause your amp to "thermal protect" and shut down.

WARRANTY

CARVIN loudspeakers are covered by a ONE year limited warranty. Warranty coverage is limited to original manufacturing defects only. **WARRANTY DOES NOT COVER:** 1) Opened or burned driver voice coils. 2) Damage from rain, moisture, etc.

WARRANTY REPAIRS

To help reduce shipping costs, defective drivers can be removed from the enclosure. Return pre-paid by UPS. Include your address and detailed description of the problem. Your driver will be returned COD for the cost of shipping and reconditioning if the problem is not covered under warranty.

MODEL 560 SPEAKER SYSTEM SPECS:

Frequency Response:	1.5k Hz to 18k Hz ± 3 dB
Power Handling:	100 watts Continuous Program Power (2.5k & higher)
Recommended Amp:	75 to 600 watts
Sensitivity:	107 dB SPL
Coverage Angles:	90° Horizontal, 45° Vertical
Nominal Impedance:	16Ω
Driver Protection:	DC blocking capacitor
Crossover Frequency:	2.5 kHz
Input & Output Connectors:	Two XLR & One 1/4" Phone Connectors
BIAMP Connectors:	Two XLR Connectors
Enclosure Covering:	Duratuff™
Dimensions:	28"W x 19"D x 11" H
Warranty:	One Year, Extended Warranty available
Options:	Cables: PH50 or XP50, Woofer cable: XP6, Cover: CVS560

CARVIN

1155 Industrial Ave., Escondido, CA 92029
toll free: (800)854-2235