

CARVIN

2210 Mid Range System

The 2210 400 watt 10" mid range is the perfect cabinet to fill out the mid frequency range in your Tri-amp system. It's computer designed enclosure offers a remarkably flat frequency response over its recommended frequency range of 100Hz to 5kHz.



CONGRATULATIONS on your selection of CARVIN products: "The Professional's Choice." Your new speaker system demonstrates CARVIN's commitment to producing the highest quality & most thoroughly engineered products in pro audio.

Please send in the warranty card. It will allow us to better understand how you are using the equipment while keeping a ready reference for our files.

RECEIVING INSPECTION

INSPECT YOUR SPEAKER SYSTEM FOR ANY DAMAGE which may have occurred during shipping. If any damage is found, notify the shipping company and call CARVIN immediately.

SAVE THE CARTON & ALL PACKING MATERIALS. In the event you have to re-ship your speaker, always use the original carton and packing material. This will provide the best possible protection for your speaker during shipment. **CARVIN and the shipping company are not liable for any damage caused by improper packing.**

SAVE YOUR INVOICE. It will be required for warranty servicing of your unit. Always check your invoice against the items you have received.

SHIPMENT SHORTAGE. If you find items missing, it may be that they were shipped separately. Please allow several days for the rest of your order to arrive before inquiring. If you determine (after allowing an appropriate amount of time) you have not received all the items you ordered, please call CARVIN.

SYSTEM CONNECT PLATE

For maximum versatility, Carvin offers a choice of 1/4" Phone & XLR connectors along with a 4 or 16 ohm impedance switch. To change the impedance, remove the rubber cap above the left phone jack. With a small slot screwdriver, move the switch DOWN for 4 ohms or UP for 16 ohms. To re-secure the rubber cap, push hard on the center of the rubber cap until it locks in. This will prevent air leaks. XLR CONNECTOR WIRING: **Pin 1:** GROUND, **Pin 2:** HOT (red binding post on your amp), **Pin 3:** Not used.

DRIVER PRECAUTIONS

Be advised of the following conditions to protect your speaker system: 1) **DO NOT EXCEED THE POWER RATING** marked on the rear connect plate (Carvin systems are conservatively rated allowing occasional peak power above the normal rating. However, excessive power will destroy the drivers). 2) **DISTORTION (square wave) will destroy drivers regardless of power ratings.** 3) **WATER, MOISTURE, and DUST** are harmful to drivers causing failure that is not covered under warranty.

DAISY CHAINING (EXTENSION SPEAKER)

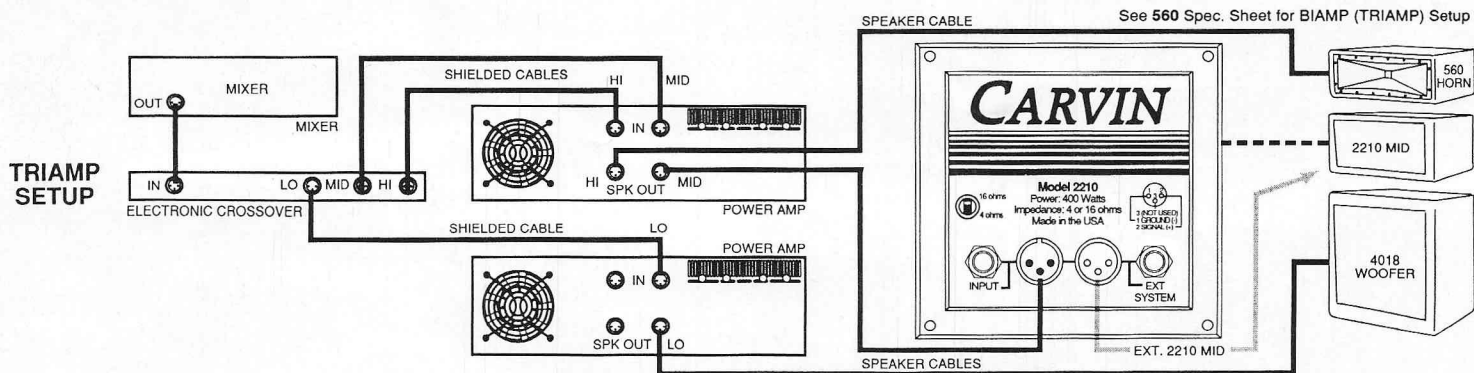
The Rear Connect Plate on all CARVIN speaker systems permit extending ("Daisy Chaining") one additional speaker system to your amp. It is not recommended that you "daisy chain" more than one system. You must also recalculate the total speaker impedance to your amp. If your speaker has a 8Ω impedance and you daisy chain another 8Ω speaker, your total impedance is 4Ω. Most power amps are not designed for less than 4Ω or they will "thermal protect" and shut down. If you are using the 1/4" Phone Jack for the input, you may use the XLR connector for the extension speaker or vice-versa.

WARRANTY

CARVIN loudspeakers are covered by a ONE year limited warranty. Warranty coverage is limited to original manufacturing defects only. **WARRANTY DOES NOT COVER:** 1) Opened or burned voice coils. 2) Torn cones caused by improper packing or abuse. 3) Damage from rain, moisture, etc.

WARRANTY REPAIRS

To help reduce shipping costs, defective drivers can be removed from the enclosure. Return pre-paid by UPS. Include your address and detailed description of the problem. Your driver will be returned COD for the cost of shipping and reconditioning if the problem is not covered under warranty.



SPEAKER CABLES

CARVIN offers its standard 8' PH8 speaker cable featuring heavy-duty 16 ga copper wire and 1/4" phone plugs for speaker to amp hookups. For amps that feature XLR speaker output connectors, you may select the heavy-duty CARVIN 6' XLR XP6 speaker cable.

IMPORTANT: Do Not Use Shielded Guitar or XLR Mic Cables. Using a shielded cable could cause your amp to "thermal protect" and shut down.

SUGGESTIONS FOR OPTIMAL PERFORMANCE

- 1) For Tri-amping, set your electronic crossover at 150 Hz for the low mid band and 4k for the hi band. We recommend trying other low frequency ranges from 100Hz to 300Hz depending on the response you desire from your sub woofer. Try high frequency ranges from 2.5k to 5k depending on the response you need from your horn. 2) If greater volume is required, add additional enclosures. Be sure you calculate the total speaker impedance. The total impedance should not be lower than the amps min. recommended impedance or you risk "thermal shut down" of your amp.
- 3) **Caution: Using a high powered amplifier in its "Bridged" mode may exceed the power rating of this system and damage all system drivers.**

EXTENDED WARRANTY

Before your warranty expires, you may purchase an EXTENDED WARRANTY. Call 800-854-2235 for details.

MODEL 2210 SPEAKER SYSTEM SPECS:

Frequency Response:	60Hz to 6 kHz ±3 dB
Useable Low Frequency Bandwidth:	40Hz (-10 dB)
Power Handling:	400 watts Continuous Program Power
Recommended Amp:	75 to 600 watts
Sensitivity:	103 dB SPL
Coverage Angles:	90° Horizontal, 45° Vertical
Nominal Impedance:	4Ω or 16Ω switch
Recommended Crossover Frequencies:	100 to 300kHz, and 2k to 5k
Input Connectors:	One XLR & One 1/4" Phone Connector
Output Connectors:	One XLR & One 1/4" Phone Connector
Enclosure Type:	Computer Optimized Vented Box
Enclosure Covering:	Duratuff™
Dimensions:	28"W x 19"D x 14.5" H
Warranty:	One Year, Extended Warranty available
Options:	Cables: PH50 or XP50, Vinyl Cover: CVS2210

CARVIN

1155 Industrial Ave., Escondido, CA 92029

toll free: (800)854-2235