

CARVIN
amps · audio



SCx SERIES

ACTIVE CONCERT SERIES

INTRODUCTION

The Carvin Audio SCx1000 Series loudspeakers provide a high performance solution for small to mid-sized venues. The SCx Series features the latest innovations in acoustic driver and amplifier technology. Featuring Analog Devices™ 56-Bit DSP processing, the SCx Series delivers clear, powerful audio that modern sound engineers demand. CNC machined, multi-ply Poplar enclosures protected with UV and weather resistant Duratec™ coating and powder coated steel grills ensure a roadworthy design that lasts.

SCx 12A

The SCx 12A is a 12-inch 2-way active enclosure perfect for smaller main loudspeaker applications and great for vocal stage monitors. The bi-amp 1000 watt active system delivers clear high SPL output with internal limiting to protect the drivers for years of service.

SCx 15A

The SCx 15A is a 15-inch 2-way active enclosure multi-purpose enclosure for front of house mains, stage monitors, or DJ sound. The bi-amp 1000 watt active system delivers clear high SPL output with internal limiting to protect the drivers for years of service. This is an exceptional sounding enclosure for most applications requiring extended bass from a compact design.

SCx 18A

The SCx 18A is an 18-inch active sub woofer. SCx18A design features a ported bass reflex enclosure delivering sub-bass down to 35 Hz, adding real depth and feel to your performances. The 1000W active system features a bridged output to the 8 ohm heavy-duty 18-inch woofer. Internal limiting protects the driver for years of service. Ideal for multi-stacking or stacking mains on top, this compact hi-output sub woofer is a real workhorse that you can depend on, night after night.



SCx 12A



SCx 15A



SCx 18A

WARRANTY

This CARVIN AUDIO product is guaranteed in normal use to be free from electrical and mechanical defects for a period of one year (electronics) and three years (loudspeakers and speaker cabinet) from date of purchase. Retain proof of purchase. This warranty is in lieu of any and all other guarantees or warranties, expressed or implied. There shall be no recovery for any consequential or incidental damages.

SCx 12A SPECIFICATIONS

- » System Type : 12-inch 2-way, Active Bass Reflex
- » Frequency Response : 60Hz-20kHz (-10dB) 70Hz-18 kHz (-3dB)
- » Power : 1000W Program
- » Coverage Pattern : Main 90x60 Monitor 60x90
- » Sensitivity (1w/1m) : 96dB
- » Maximum SPL : 126dB
- » Maximum Input Signal : +12dBu
- » LF : 12-Inch Woofer 4 Ohms
- » HF : 1.74-Inch 8 Ohms
- » Enclosure: Premium Poplar
- » Finish: Black DuraTec™
- » Grill: Black powder coated 16-ga steel with cloth backing
- » Transport : 2 Recessed handles
- » Pole Mount : 1.38-inch pole mount cup
- » Suspension points : 6 points using M8-1.25 x 30mm
- » AC Mains input : 100V-230V (50-60Hz)
- » Net Weight : 35.5lbs
- » Dimensions : 14"W x 14"D x 22"H



SCx 12A

SCx 15A SPECIFICATIONS

- » System Type : 15-inch 2-way, Active Bass Reflex
- » Frequency Response : 54Hz-20kHz (-10dB) 62Hz-18 kHz (-3dB)
- » Power : 1000W Program
- » Coverage Pattern : Main 90x60 Monitor 60x90
- » Sensitivity (1w/1m) : 98dB
- » Maximum SPL : 130dB
- » Maximum Input Signal : +12dBu
- » LF : 15-Inch Woofer 4 Ohms
- » HF : 1.74-Inch 8 Ohms
- » Enclosure: Premium Poplar
- » Finish: Black DuraTec™
- » Grill: Black powder coated 16-ga steel with cloth backing
- » Transport : 2 Recessed handles
- » Pole Mount : 1.38-inch pole mount cup
- » Suspension points : 6 points using M8-1.25 x 30mm
- » AC Mains input : 100V-230V (50-60Hz)
- » Net Weight : 42.5lbs
- » Dimensions : 17"W x 14.75"D x 26.25"H



SCx 15A

SCx 18A SPECIFICATIONS

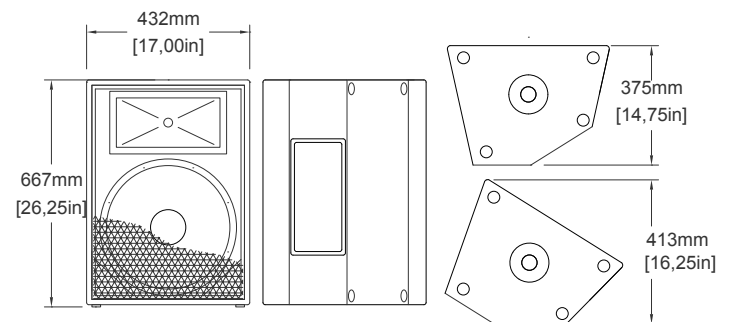
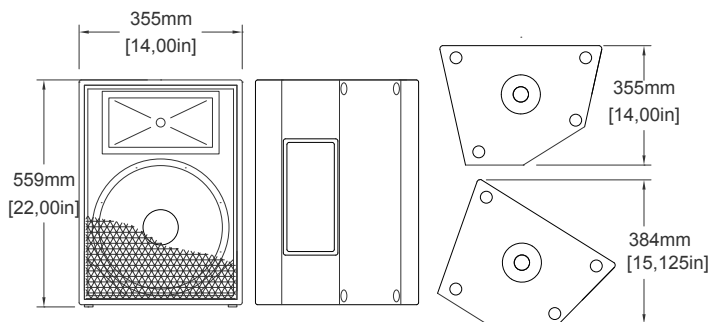
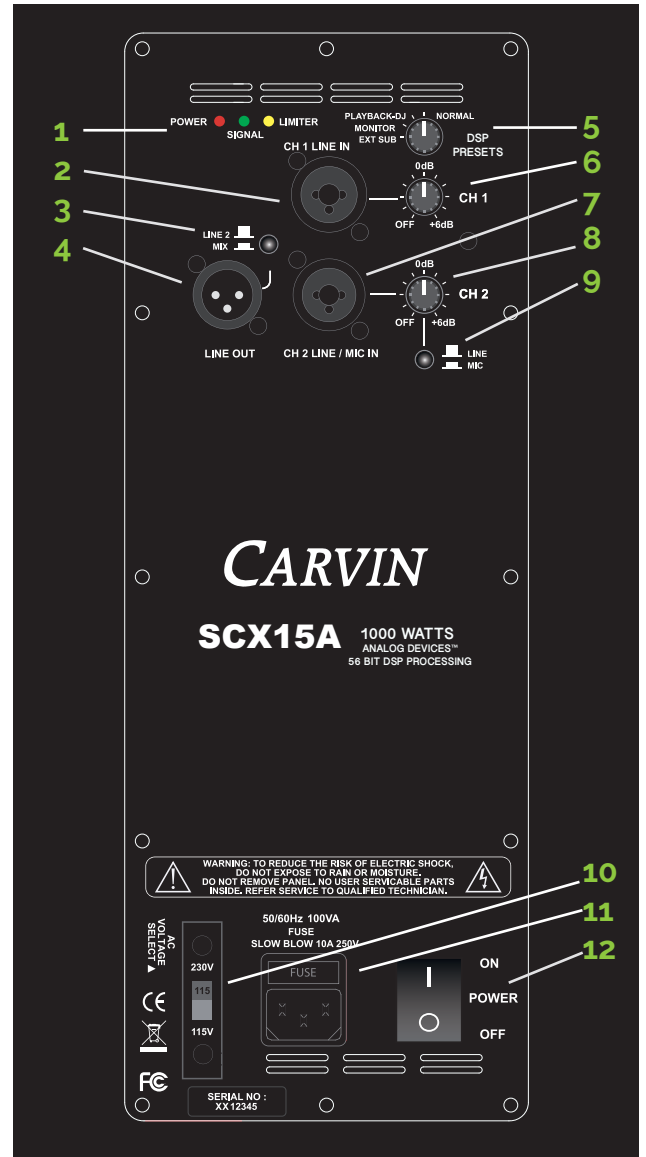
- » System Type : 18-inch Sub woofer, Active Bass Reflex
- » Frequency Response : 35Hz-1.5kHz (-10dB) 62Hz-18 kHz (-3dB)
- » Power : 1000W Program
- » Coverage Pattern : Omni
- » Sensitivity (1w/1m) : 97dB
- » Maximum SPL : 130dB
- » Maximum Input Signal : +12dBu
- » LF : 18-Inch Woofer 8 Ohms
- » Enclosure: Premium Poplar
- » Finish: Black DuraTec™
- » Grill: Black powder coated 16-ga steel with cloth backing
- » Transport : 2 Recessed handles
- » Pole Mount : 1.38-inch pole mount cup
- » Suspension points : No
- » AC Mains input : 100V-230V (50-60Hz)
- » Net Weight : 60lbs
- » Dimensions : 20.25"W x 22.50"D x 23.75"H



SCx 18A

SCx 12A & 15A Rear Panel Features

- » 1. System LED indicators. The red Power LED shows the user that the system is powered on. The green Signal LED indicates that an audio signal is present in the system. The yellow Limiter LED indicates that the DSP limiter is engaged and is protecting the amplifier and speakers from overpowering.
- » 2. CH1 LINE IN. This combo XLR jack is the audio input for CH1. The input will accept both XLR and 1/4-inch instrument cables.
- » 3. CH2 Line / MIX. This feature allows the user to choose which output signal is sent to the LINE OUT. The default signal output is CH2. Depress the button to send a mixed signal of both CH1 and CH2 to the LINE OUT.
- » 4. LINE OUT. Use this output to send the CH2 or CH1 & CH2 (mix) audio signal to another main loudspeaker or sub woofer such as a second SCx15A or SCx18A sub woofer.
- » 5. DSP PRESETS. Choose from four different DSP settings depending on the use of the loudspeaker. NORMAL mode is designed for live audio and gives the engineer an uncolored platform to create the perfect mix regardless of the genre. PLAYBACK/DJ is a contoured setting to accommodate recorded playback music. The MONITOR setting employs both a high pass filter and low pass filter to help eliminate unwanted feedback while still providing the necessary bandwidth when using the loudspeaker as a stage monitor. EXT SUB preset has the same frequency response as NORMAL but with an 80Hz high pass filter so the loudspeaker can be used with an external sub woofer such as the SCx18A.
- » 6. CH1 LEVEL. Use this control to adjust the level of the incoming signal to the loudspeaker. The maximum input signal is +12dBu. If distortion is heard, lower the mixer output level and turn up the CH1 LEVEL.
- » 7. CH2 LINE IN. This combo XLR jack is the audio input for CH2. The input will accept both XLR and 1/4-inch instrument cables.
- » 8. CH2 LEVEL. Use this control to adjust the level of the incoming signal to the loudspeaker. The maximum input signal is +12dBu. If distortion is heard, lower the mixer output level and turn up the CH2 LEVEL.
- » 9. LINE/MIC. When button is pressed in, the channel gain increases to accommodate a low level signal from a microphone or instrument.
- » 10. AC Mains Voltage Selector allows the user to choose either 115/60Hz or 230/50Hz AC mains voltage.
- » 11. AC Mains plug and fuse holder.
- » 12. POWER ON/OFF. Turns ON/OFF the loudspeaker.

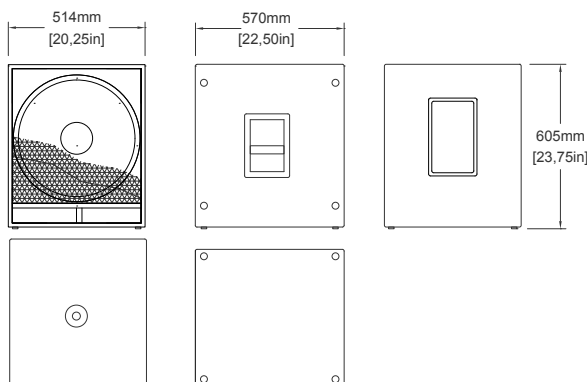
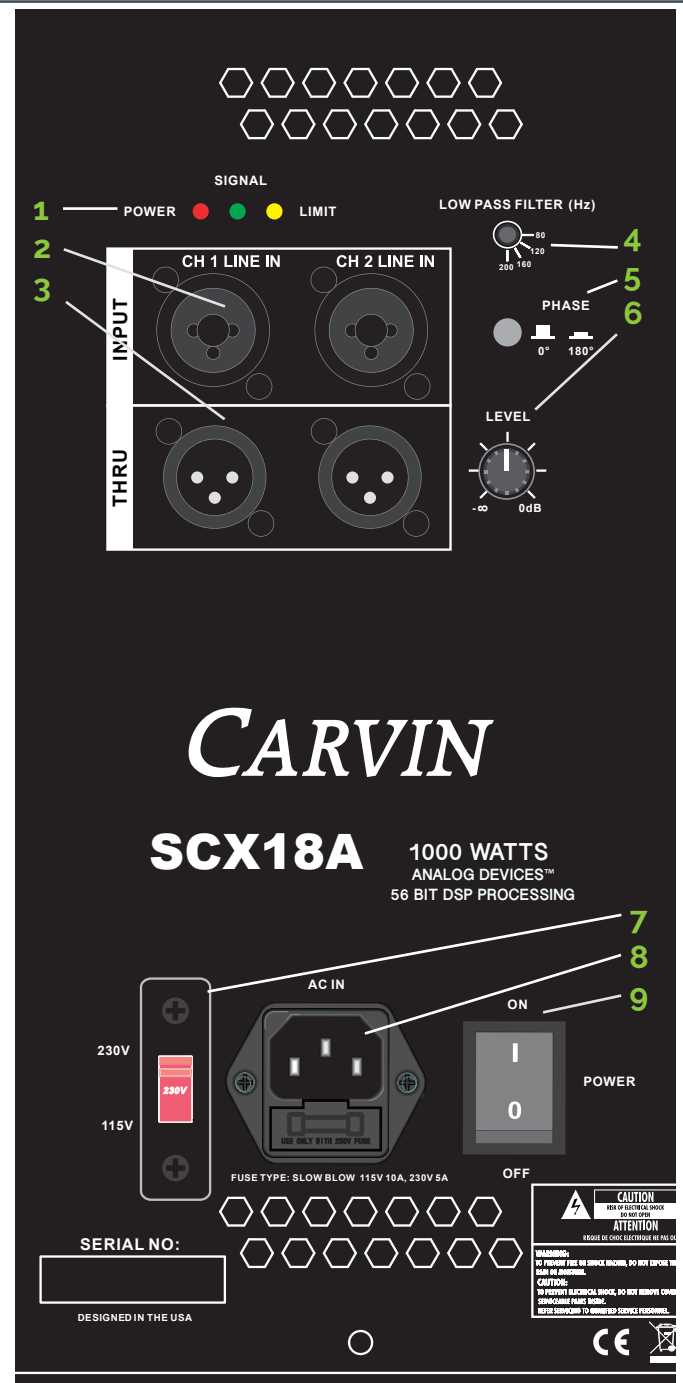


SCx 12A

SCx 15A

SCx 18A Rear Panel Features

- » 1. System LED indicators. The red Power LED shows the user that the system is powered on. The green Signal LED indicates that an audio signal is present in the system. The yellow Limiter LED indicates that the DSP limiter is engaged and is protecting the amplifier and speakers from overpowering.
- » 2. CH1 / CH2 LINE IN. These combo XLR jacks are the audio inputs for CH1 and CH2. The input will accept both XLR and 1/4-inch instrument cables.
- » 3. THRU. These XLR outputs allow the user to send audio out to another sub woofer in the sound system.
- » 4. LOW PASS FILTER. Select between different crossover frequencies; 80,120,160 and 200Hz. The lower the setting, the tighter sounding the sub woofer will become.
- » 5. PHASE. Use this control if you experience severe lack of low frequency output from the sub woofer. When pressed in, the sub woofer is 180-degrees out of phase from the incoming signal.
- » 6. LEVEL. Use this control to adjust the level of the incoming signal to the sub woofer. The maximum input signal is +12dBu. If distortion is heard, lower the mixer output level and turn up the LEVEL.
- » 7. AC Mains Voltage Selector allows the user to choose ether 115/60Hz or 230/50Hz AC mains voltage.
- » 8. AC Mains plug and fuse holder.
- » 9. POWER ON/OFF. Turns ON/OFF the loudspeaker.



SCx 18A

