

Venus Wheelchair



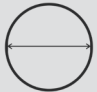
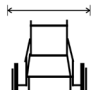

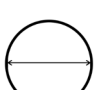



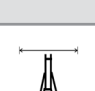


Features:

- “One Touch” attendant brake
- Armrest side panel for safety
- Length adjustable footrest
- Flame retardant nylon bacteria
- Resistant upholstery
- Handy carry pocket



ARTG Listing no.

227311

Length (cm)	 100	Backrest Height (cm)	 42	Front Wheel Diameter (cm)	 20/8"
Width (cm)	 63.5	Seat Depth (cm)	 40	Rear Wheel Diameter (cm)	 30/12"
Height (cm)	 96	Seat Width (cm)	 46	Max Load (kg)	 100
Folded Width (cm)	 30	Seat Height from the Ground (cm)	 51	Net Weight (kg)	 12.5