

User Manual

Contents

Section	Title	Page
1	Introduction	2
2	Safety & Precautions	3
3	Features	4
4	Specifications	4
5	Instructions For Use	5
6	Labelling Information	10
7	Product Care & Maintenance	11
8	Recycle & Disposal	11
9	Warranty	12

1 Introduction



2 Safety & Precautions

Stability

The Hero Medical Active Ultra Lite Wheelchair has been designed with the user's comfort and safety in mind. Users must be seated securely in the wheelchair when it is in use. It is advised to avoid sudden movements which may cause the user to fall forward, e.g. jolting or pushing the wheelchair suddenly.

Uneven Terrain

Operating the wheelchair on uneven terrain increases the risk of the wheelchair tipping over. When using the wheelchair on an incline, the user should be leaning forward. When using the wheelchair on a decline, the user should be leaning back. Altering the position of the user's body weight will ensure the centre of gravity on the wheelchair is maintained, therefore reducing the risk of tipping.

Weight Capacity

The maximum safety weight limit for the wheelchair is 135kg and must not be exceeded. If the maximum safety weight limit is exceeded, there is an increased risk of damage to the wheelchair and/or risk of serious injury to the user and others.

User Safety

It is highly recommended that safety checks are completed prior to each use of the wheelchair, to ensure the safety of the user. Please check:

- Brakes are functional
- Castors do not show signs of wear and tear
- Removable parts are secure i.e. leg rest hanger, footplates
- Padding on armrests and footplate is secure
- Failure to do so may result in wheelchair malfunction, potentially causing injury to the user and others

Exposure to Weather

Avoid exposure to hot or cold temperatures for extended periods of time, as it can cause parts of the wheelchair to become very hot or cold. This can result in an increased risk of damage to the wheelchair and/or risk of injury to the user and others.

Entrapment and/or Pinching Hazards

The wheelchair has areas that have an increased risk of entrapment or pinching during assembly and disassembly. Care should be taken by the user when making adjustments to these areas reduce the risk of entrapment and pinching. The areas that have been identified are:

- Footplates
- Anti-tip bars
- Seat frame

Safe Handling of the Wheelchair

To ensure the safety of the user and/or others is maintained at all times, the wheelchair has safe grip areas to mitigate the risk of entrapment or pinching. It is highly recommended that the safe grip areas are identified prior to operating or lifting the wheelchair to ensure the safety of the user is maintained during operation. The safe grip areas are:

- Push handles on the rear of the wheelchair
- Grip points on either side of the wheelchair

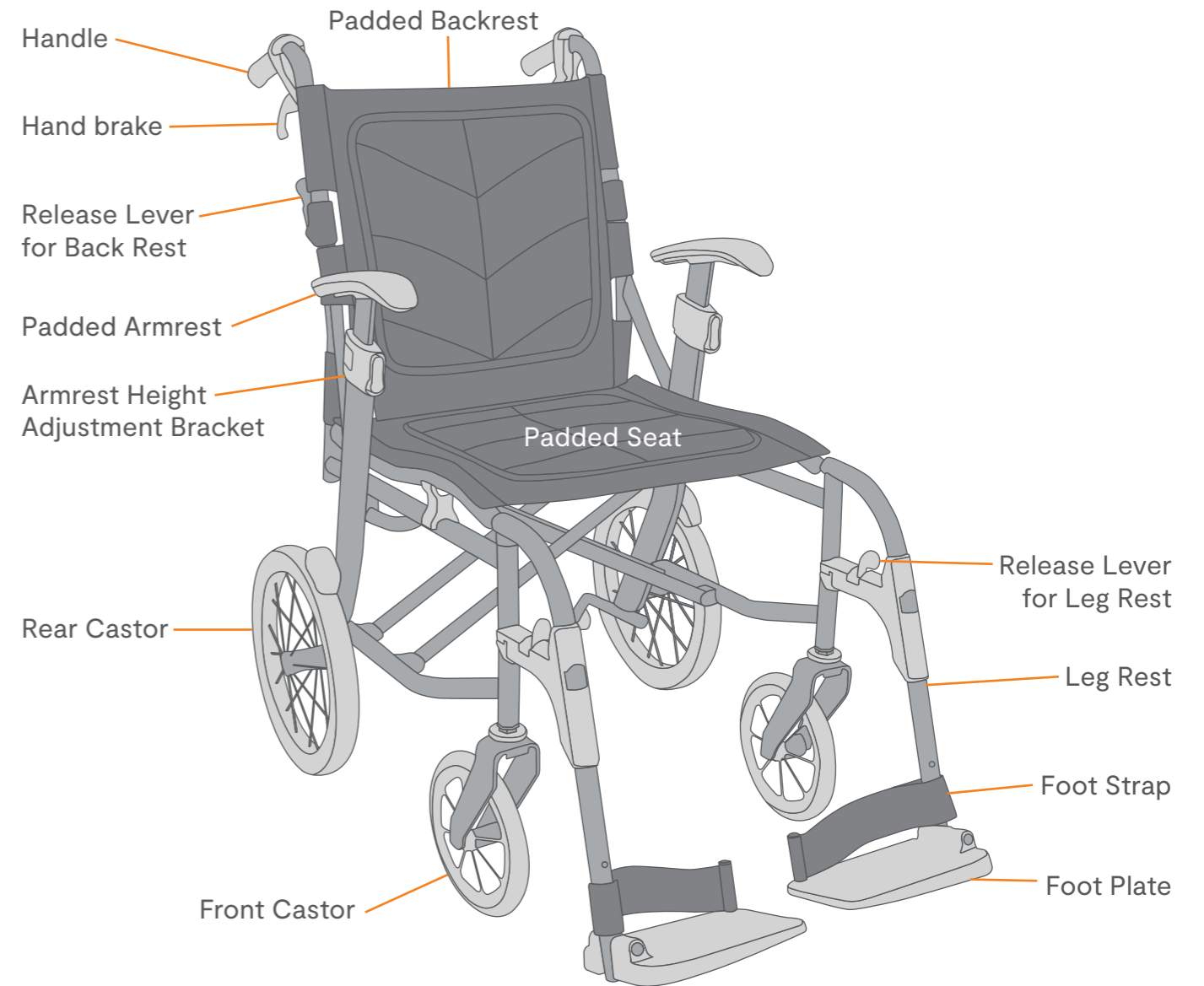
3 Features

- ▶ Lightweight aluminium frame with unique carbon pattern paint
- ▶ Swing away legrests with folding height-adjustable footplates
- ▶ Padded seat and backrest for increased comfort
- ▶ Height adjustable padded armrests
- ▶ Folds easily for transportation and compact storage

4 Specifications

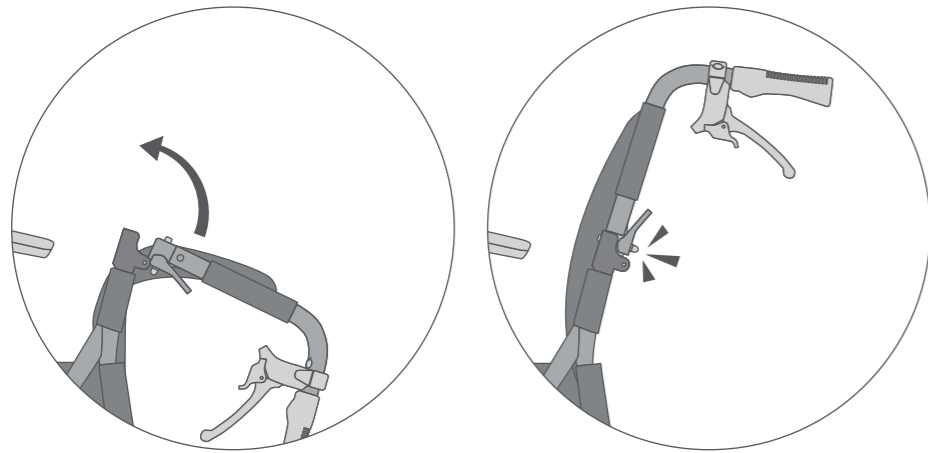
Name	Active Ultra Lite
SKU	S309155
Type	Transit
Frame material	Aluminium
Net weight	8.9kg
Seat height (seat to floor)	50cm
Overall height (floor to handles)	93cm
Seat width	46cm
Seat depth	41cm
Backrest height (from seat)	44cm
Armrest height (from seat)	23-33cm
Front castor size	8"
Rear castor size	12"
SWL (safe working load)	135kg

Instructions for Use 5



Unfolding the Backrest

- Lift up both the handles towards the frame until you hear a click locking it in place.



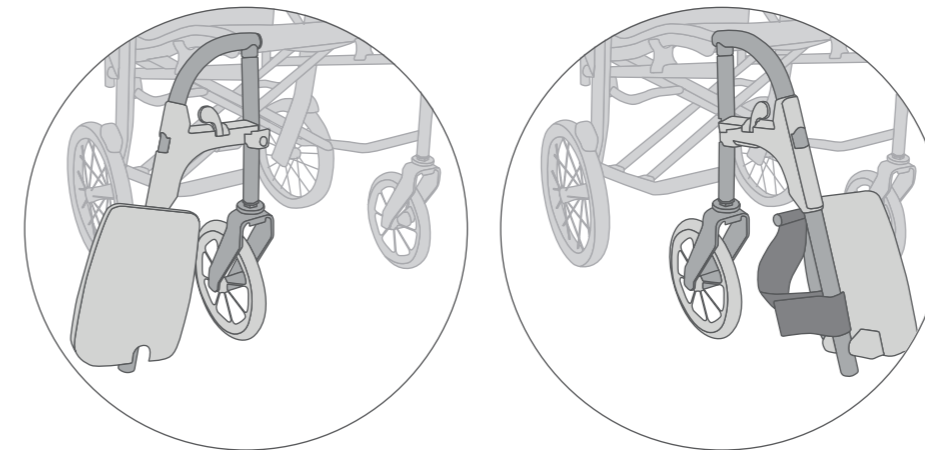
Unfolding the Wheelchair

- Pull the handles apart until the frame is half open.
- Place hands flat on the top of the seat and push downwards to fully unfold the wheelchair.



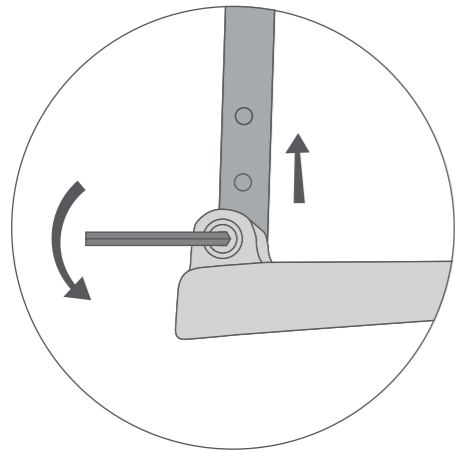
Attaching the Leg Rests

- Position the legrest perpendicular to the side of the seat frame. Ensure the legrest is facing towards the rear of the wheelchair away from the frame.
- Place the legrests securely on the receiver located below the seat frame above the front castors.
- Swivel the legrest forward until you hear the click, securing it to the frame.
- Push the footplates down until they are parallel to the ground.



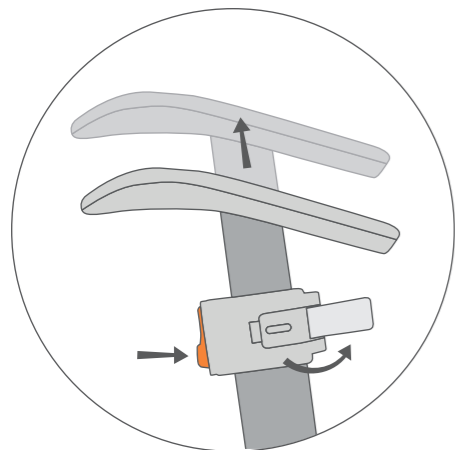
Adjusting the Height of the Footplates

- Unscrew the bolt located at the front of the foot plate with help of a allen key.
- Remove the bolt and nut.
- Move the footplate to the desired level.
- Insert the bolt and nut and tighten it securely.



Adjusting the Height of the Armrests

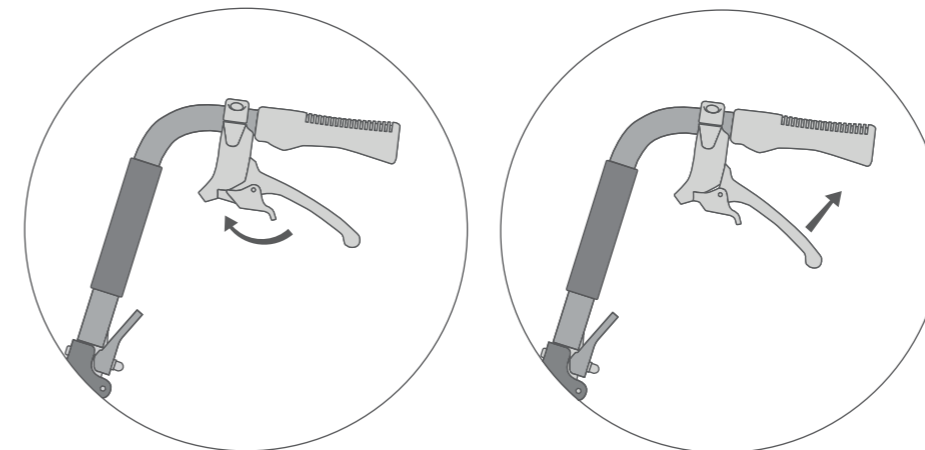
- Undo the grey clip located underneath the armrests.
- Press the bottom of the orange clip and pull or push the armrest to reach desired height.
- Close the grey clip to lock the armrest.



Using the Handbrakes

The Hero Medical Active Ultra Lite wheelchair comes with attendant handbrakes with integrated locking function to provide optimal control and safety for the user.

- To apply the handbrakes when in motion, pull the brake lever towards the grip handle and release to remove handbrakes.
- To lock the handbrakes when the wheelchair is parked, pull the brake lever towards the grip handle and press the locking pin downwards. To release the handbrakes, pull the brake lever towards the handle.
- To adjust the tension of the brakes, tighten or loosen the tension adjustment nut (located at the end of the brake cable above the rear wheels). Adjusting the tensions of the brakes ensures the safe operation of the brakes when in use.



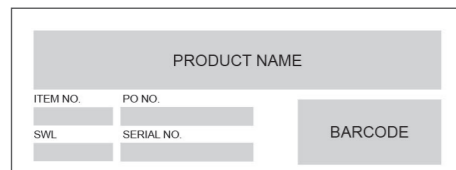
Folding the Wheelchair

- Remove the legrests from the wheelchair by folding the footplates and pressing the release lever. Swivel the leg rests outwards and lift up from the receiver.
- Pull up on the seat to collapse the wheelchair half way. Gently push both of the arm rests inwards to fully collapse the wheelchair.
- Collapse the backrest by pulling the two black clips located at the rear of the chair near the armrests. Push both handles towards the rear wheels to fully collapse the back rest.

6 Labelling Information

a. Product Label

The wheelchair has a product label on the frame, located above the front right castor. The product label includes the following information:



- Name and address of the company
- Name and code for the product
- Safe Working Load (SWL)
- Serial number of the product (which includes the date of manufacture and the batch serial number)

b. Usage Label

The wheelchair has a usage label on the frame, located above the front left castor. The usage label includes the following information:

- Not AS/NZS 3696.19 compliant
- This wheelchair is not intended for use as a motor vehicle seat. This wheelchair does not have tie-down anchorage points

- Not AS/NZS 3696.19 compliant
- This wheelchair is not intended for use as a motor vehicle seat. This wheelchair does not have tie-down anchorage points

Product Care & Maintenance 7

- It is recommended that the wheelchair is inspected every 3 months for signs of wear and tear of the castors, seat or backrest.
- If there are visible signs of wear and tear, please contact your authorised dealer for replacement parts.
- Please ensure the brakes are tested prior to each use.
- If exposed to water or moisture, promptly dry the wheelchair to prevent corrosion of the frame.
- The wheelchair should be wiped down regularly using warm water or a mild detergent.
- All replacement parts (as well as after-sales support and repair services) are available through Hero Medical dealers.

Recycle & Disposal 8

Please follow the local government rules in regards to proper recycling and disposal. It should always be done through an authorised agent or licensed place of disposal. Please review the list of wheelchair parts and packaging materials to ensure they are recycled or disposed of correctly.

- Frame: tubular aluminium
- Armrest: PVC
- Seat & backrest: nylon
- Castors and handgrips: polyurethane
- Packaging: cardboard box and plastic

9 Warranty

The Hero Medical Active Ultra Lite wheelchair comes with a 12 month warranty from the date of purchase on structural integrity.

- During the warranty period any parts that have become defective due to faulty workmanship or material will be repaired or replaced without charge by a Hero Medical dealer of where the product was purchased.
- The warranty excludes castors, wheels, components and parts that are subject to reasonable wear and tear.
- The warranty excludes faults that have been identified as misuse or user error.
- Unauthorised changes or modifications will forfeit your warranty.
- If a defect or fault is discovered, the Hero Medical dealer of where the product was purchased should be contacted immediately.

