

Wall Mounted Key Safe



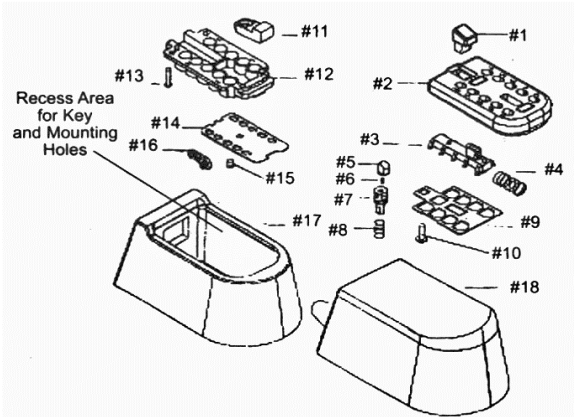
VM844

Fitting and Maintenance Instructions

INTRODUCTION

Thank you for deciding to purchase the Wall Mounted Key Safe from Aidapt. When used correctly it is designed to give many years of reliable trouble-free service.

NB. This product must be installed by a competent adult.



PART #	DESCRIPTION	QTY
1	Latch	1
2	Safe Cover	1
3	Reset Mechanism	1
4	Spring	1
5	Set Button	10
6	Spring	10
7	Set Spindle	10
8	Spring	10
9	Engage Plate	1
10	Screw	1
11	Trifle	1
12	Base Plate	1
13	Screw	4
14	Back Plate	1
15	Screw	1
16	Key Ring	1
17	Housing	1
18	Outerware	1

BEFORE USE

- Carefully remove all packaging. Avoid using any knives or other sharp instruments as this may damage the product.
- Check the product for any visible damage. If you see any damage or suspect a fault, do not use your product, but contact your supplier for support.
- Please read these operating instructions carefully before you operate the lock or try to change the combination of numbers.

NB. The Key Safe is delivered without a code – you need to save your chosen code the first time you use it.

HOW TO OPEN THE KEY SAFE FOR THE FIRST TIME

- Push the CLEAR button down
- Push the OPEN button down
- You can now open the cover

HOW TO SAVE A NEW CODE

- Choose your code (minimum 3 digits). We recommend using a 4 digit, non-concurrent code with no repeated numbers, e.g. 4827 rather than 4485 or 8787.
- Remove the back panel (#14) of the cover by removing the screw (#15) with a screwdriver.
- Set your chosen code by turning the corresponding plastic screw (#7) behind the number by 180° so that the arrow on the screw (#7) points down. Repeat for each digit in your chosen code.
- You have now saved the code and the back panel can be replaced onto the cover.

HOW TO OPEN OR CLOSE THE SAFE

- Push the CLEAR button down
- Type the code in
- Push the OPEN button down
- You can now open/remove the cover or replace it to close the Safe

CARE & MAINTENANCE

Please make a check of the product at regular intervals or if you have any concerns.