



STAR



Non-corrosive



Long-lasting



Waterproof



Virgin Material

STAR



STANDARD-101



MONORAIL SINGLE-301

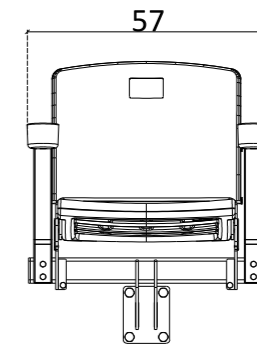
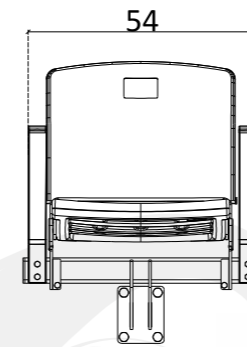
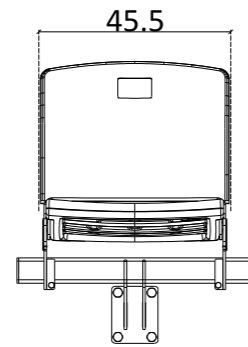
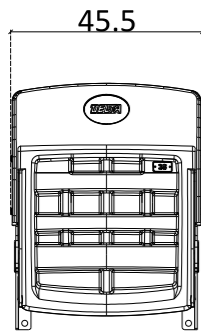


MONORAIL SINGLE WITH ARM-302

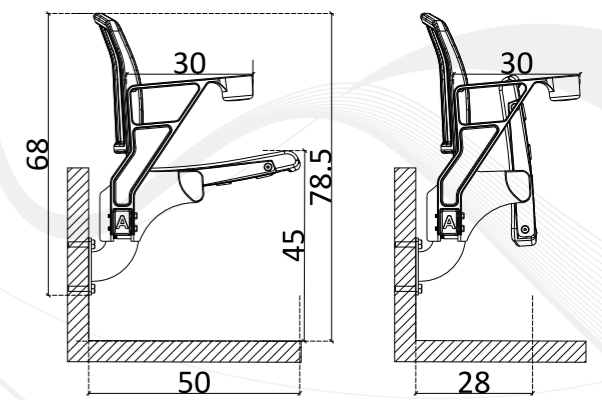
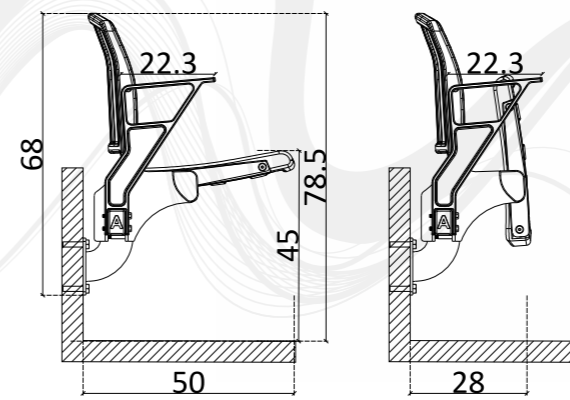
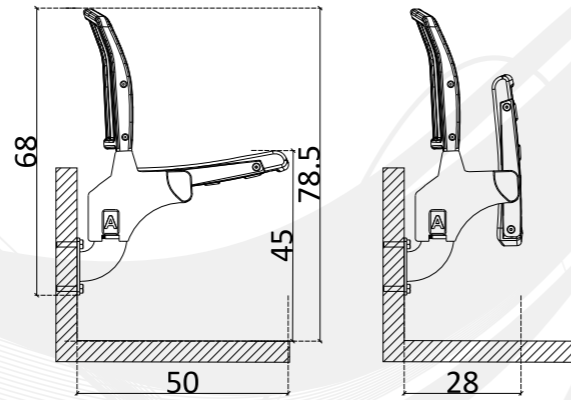
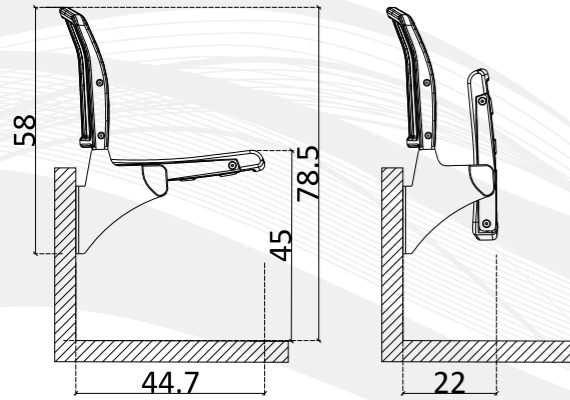


MONORAIL SINGLE WITH CUPHOLDER-303

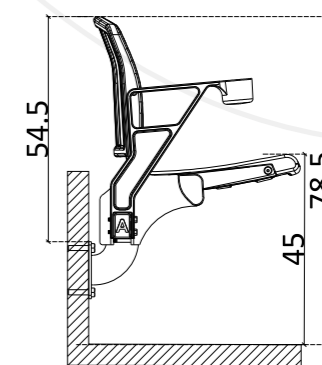
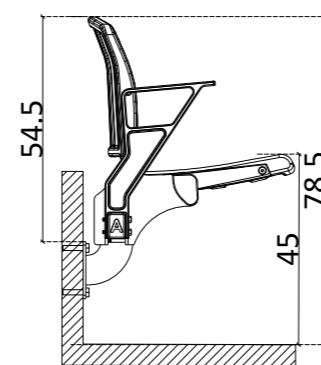
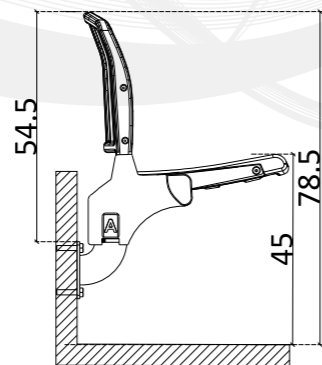
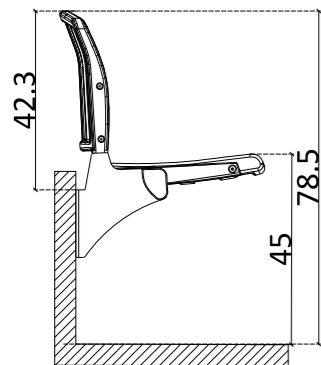
FRONT VIEW



OPEN-CLOSE VIEW



SIDE VIEW



*All dimensions are centimeters.

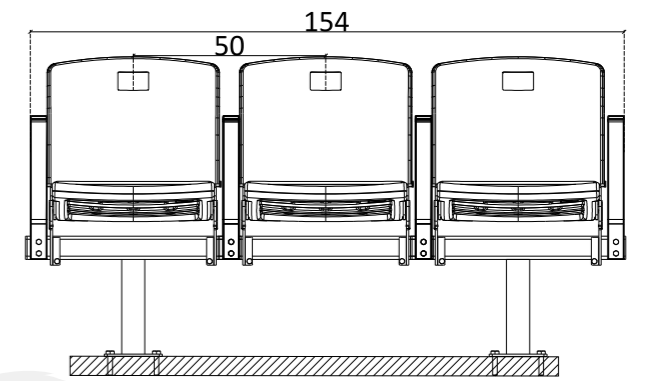
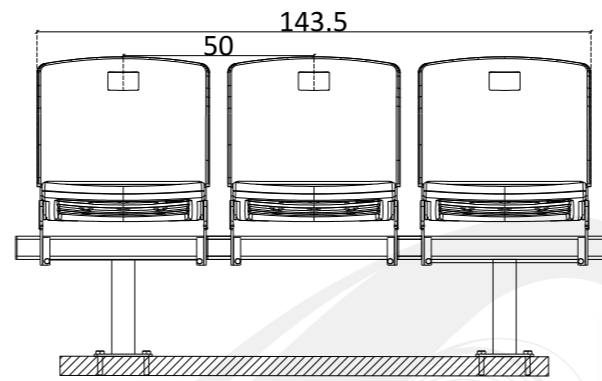
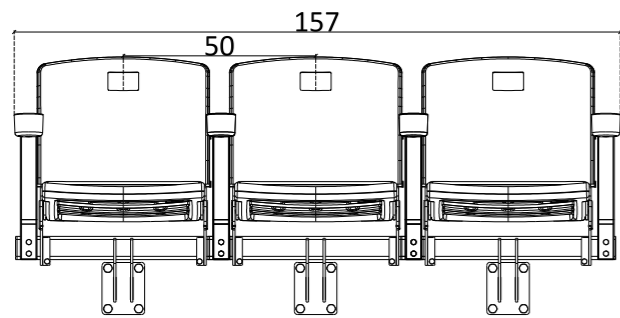


MONORAIL TRIPLE STEP MOUNTED WITH CUPHOLDER-323

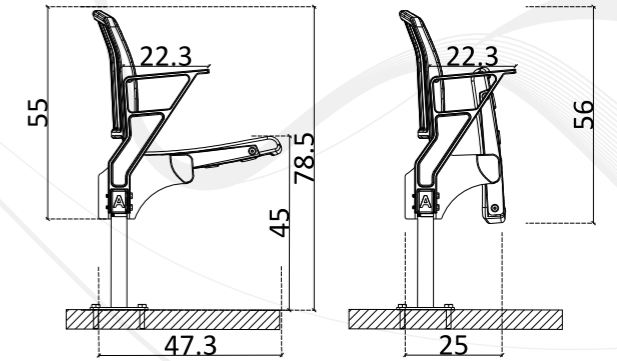
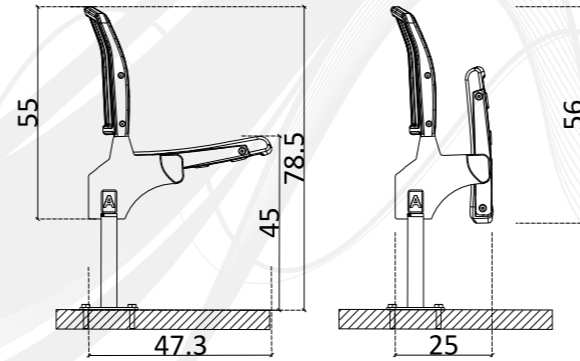
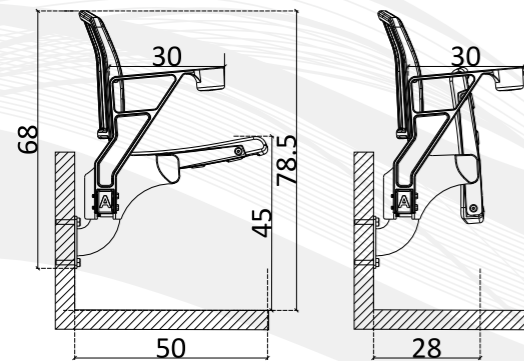
MONORAIL TRIPLE FLOOR MOUNTED-421

MONORAIL TRIPLE FLOOR MOUNTED WITH ARMREST-422

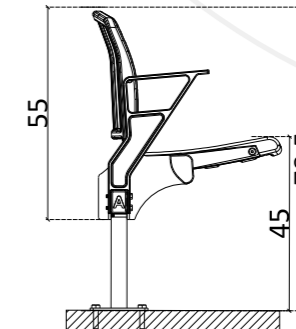
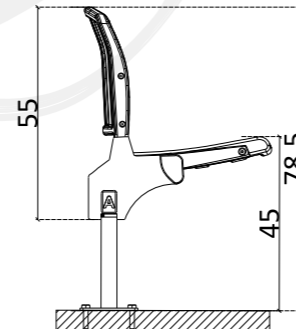
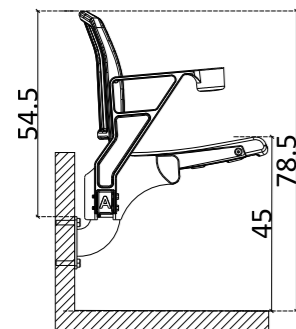
FRONT VIEW



OPEN-CLOSE VIEW



SIDE VIEW



STAR TECHNICAL DATASHEET

- ⚡ Seat and backrest is produced from high density PE using blow molding system.
- ⚡ FR additive is used to delay inflaming as required. Classified as EN ISO 11925-2.
- ⚡ UV and Antioxidant additives provide resistance against color fading.
- ⚡ Ergonomical design to provide comfort for audience.
- ⚡ Aluminum Seat number in eye level.
- ⚡ Automatic folding system silently with the gravity.
- ⚡ Folding mechanism is hidden inside plastic seat for safety.
- ⚡ Metal frame is smooth surface with laser cut in 5 mm thickness.
- ⚡ Surface of metal frame is sandblasted and undercoated before color is applied.
- ⚡ Metal frame has been tested with 500 hours Neutral Salt Spray Fog test.
- ⚡ 4 anchoring points depending on the application method with M8 bolts
- ⚡ Optional armrest and cupholder.
- ⚡ Vandal-proof construction.
- ⚡ Our products have TS EN 12727 & TSE EN 13200-4 certificates and our company has ISO 9001:2015 Quality Management System.

