



OMEGA

The one and only seat
IN THE WORLD
where plastic seat mounted on
step without any metal brackets



Non-corrosive



Long-lasting



Waterproof



%100

Virgin Material



STEP MOUNTED-101



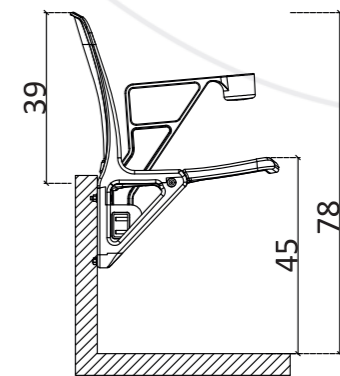
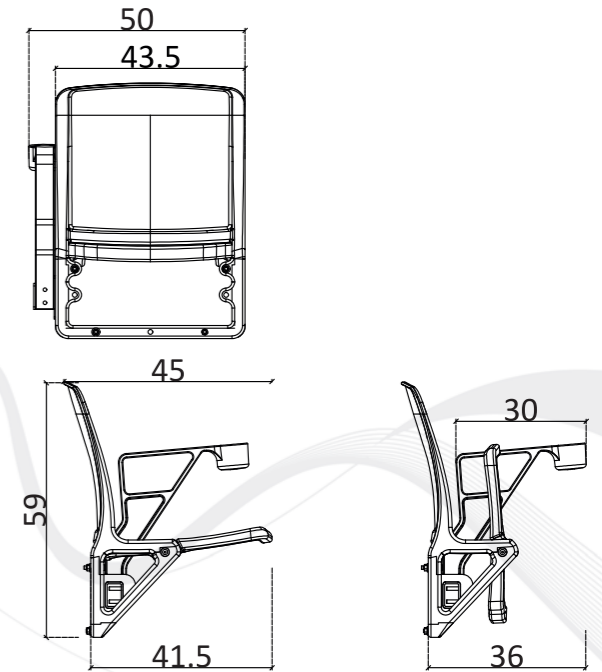
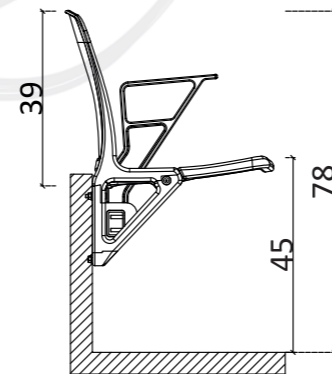
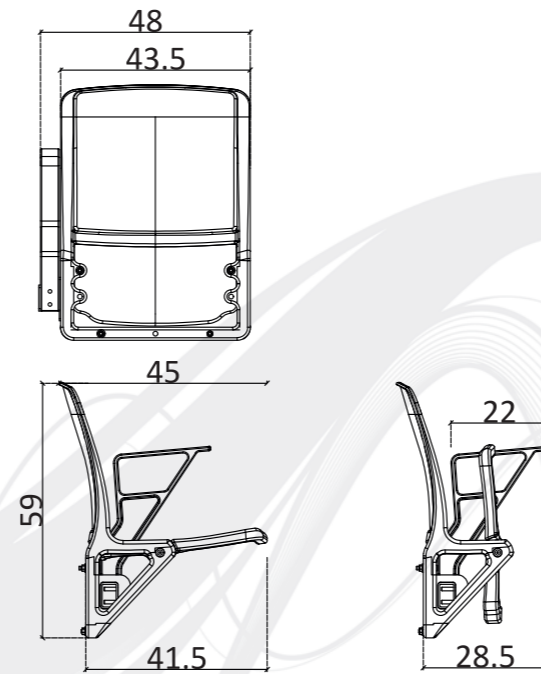
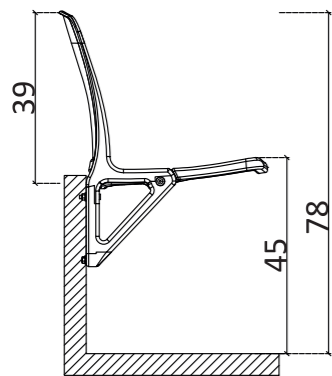
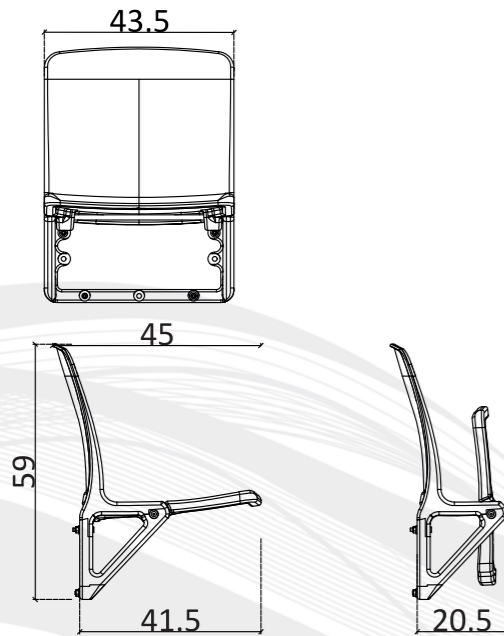
STEP MOUNTED WITH ARMREST-102



STEP MOUNTED WITH CUPHOLDER-103

BACK VIEW
OPEN-CLOSED VIEW

SIDE VIEW



*All dimensions are centimeters.



FLOOR MOUNTED-201

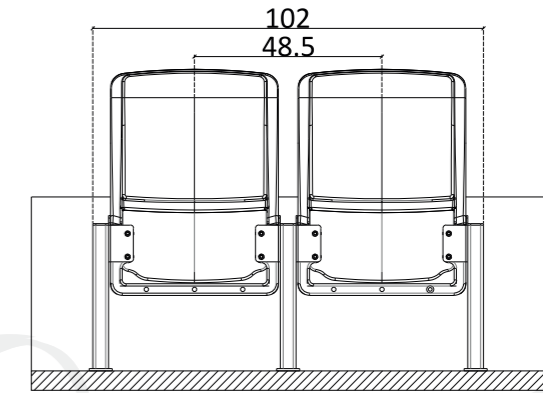
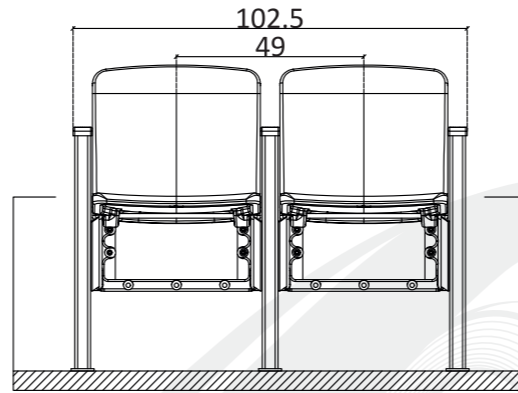
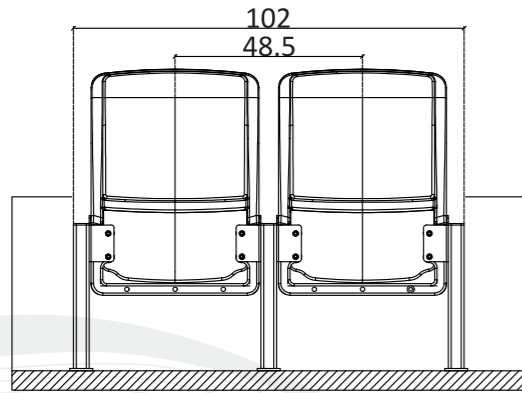


FLOOR MOUNTED WITH ARMS-202

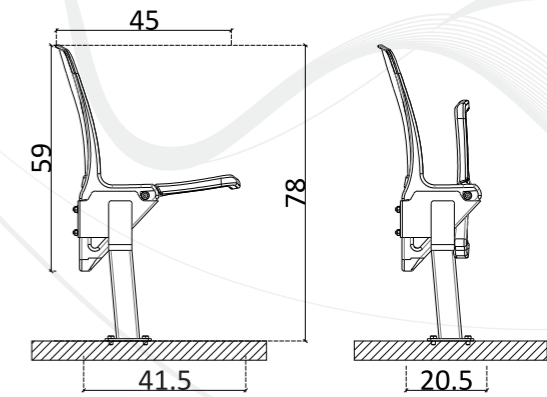
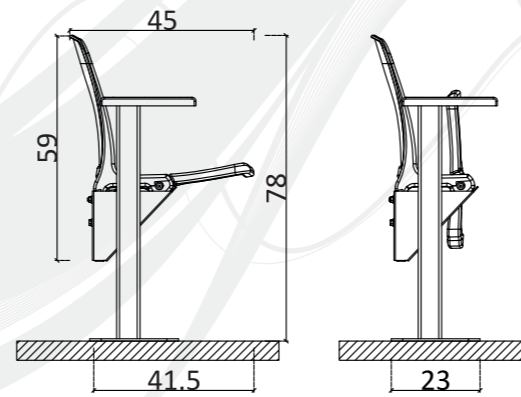
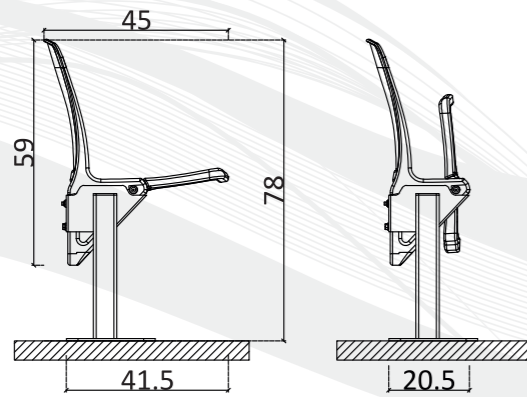


FLOOR MOUNTED WITH MIDDLE LEG-211

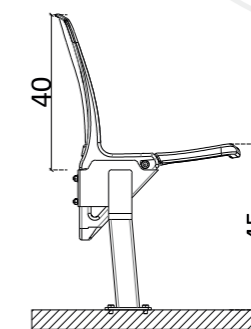
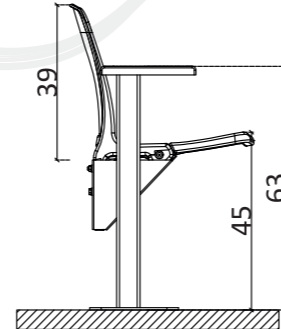
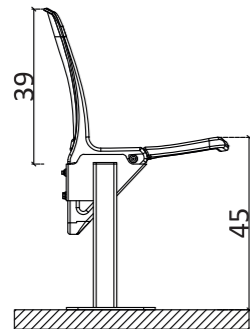
BACK VIEW



OPEN-CLOSED VIEW



SIDE VIEW



*All dimensions are centimeters.

OMEGA TECHNICAL DATASHEET

⚡ Corrosion (the biggest disadvantage for outdoor facilities) is totally out of the question. Since seat is mounted on step without any metal brackets. The bar connected to tip up mechanism is made of toughened aluminum with aluminum scales on sides, thus seat is %100 rust proof.

⚡ Seat can be mounted directly on step to reach 45 cm seat height with alternative assembly methods.

⚡ UV and Antioxidant additives are used in color masterbatch with highest light-fastness color pigments to prevent color fade. (Light Resistance - EN ISO 4892-2)

⚡ FR (fire retardant) additive is used to delay inflaming. Classified as UL94 V2 standard.

⚡ The virgin copolymer PP material is injected with gas which takes durability of the seat to the highest level.

⚡ The seat has vandal-proof construction, resistant to breakage. .

⚡ Tip up mechanism works with gravity without any springs.

⚡ Orthopedic seating feature, which is comfortable for both the back and legs.

⚡ Seat number is visible on top when seat is not used .

⚡ Assembly is made on 4 points after placing galvanised dowels on drilled holes with M8 stainless steel screws. In this way, assembly parts also do not experience corrosion.

⚡ Our products have TS EN 12727 & TSE EN 13200-4 certificates and our company has ISO 9001:2015 Quality Management System.

⚡ Seat design is protected by Utility Model Registration and Petty Patent.

