



LINEA

  
A R Q M A T



Non-corrosive



Long-lasting



Waterproof



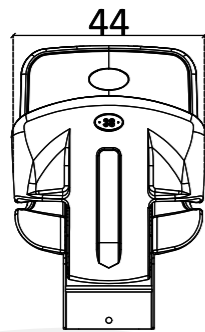
Virgin Material

# LINEA

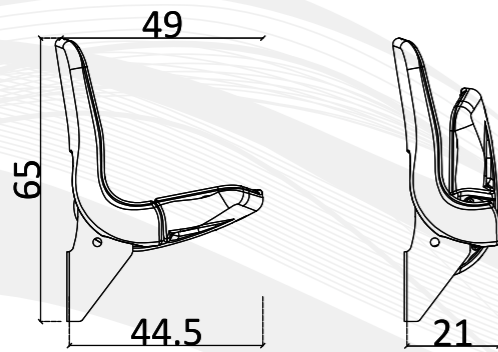


STANDARD-101

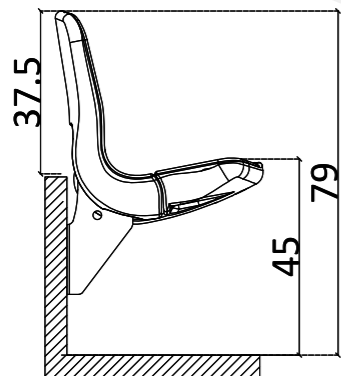
FRONT VIEW



OPEN-CLOSE VIEW



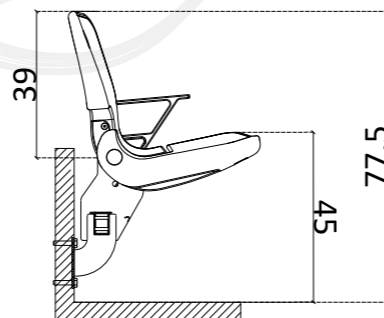
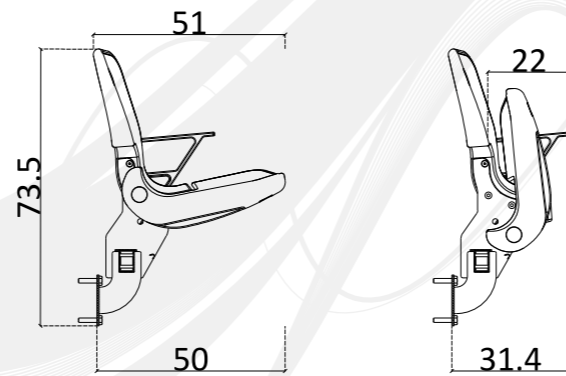
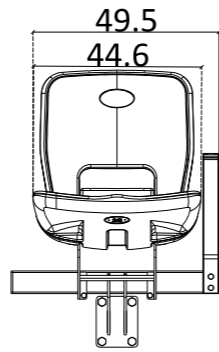
SIDE VIEW



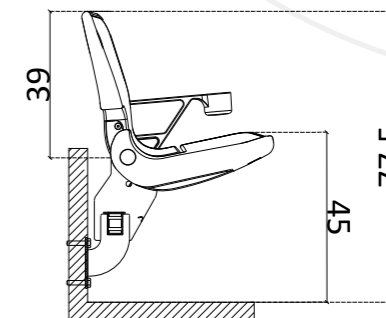
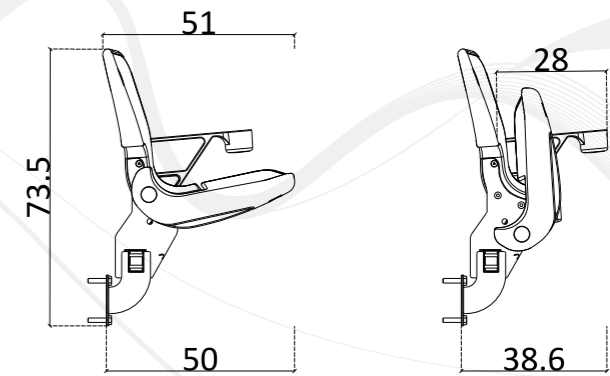
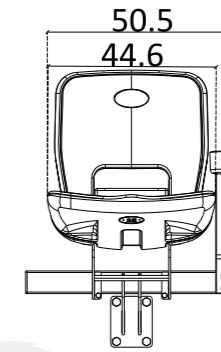
\*All dimensions are centimeters.



MONORAIL SINGLE WITH ARM-302



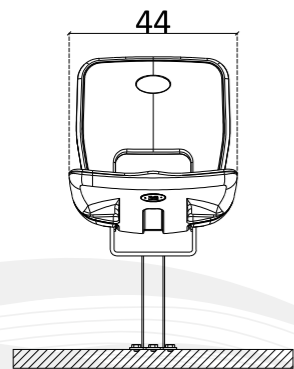
MONORAIL SINGLE WITH CUPHOLDER-303



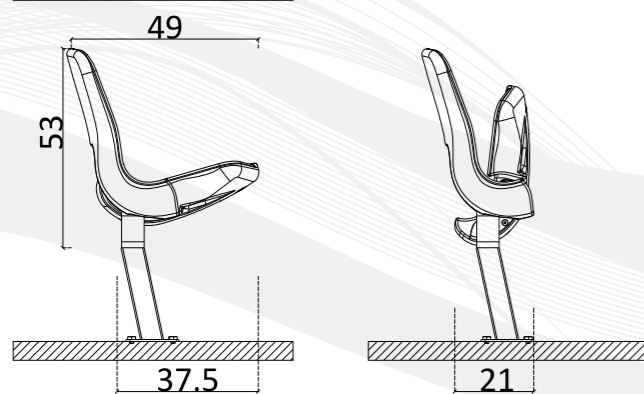


FLOOR MOUNTED-211

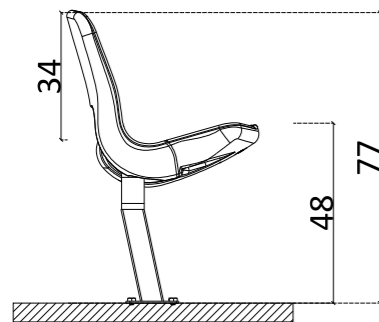
FRONT VIEW



OPEN-CLOSE VIEW



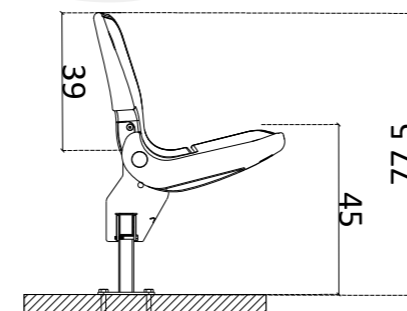
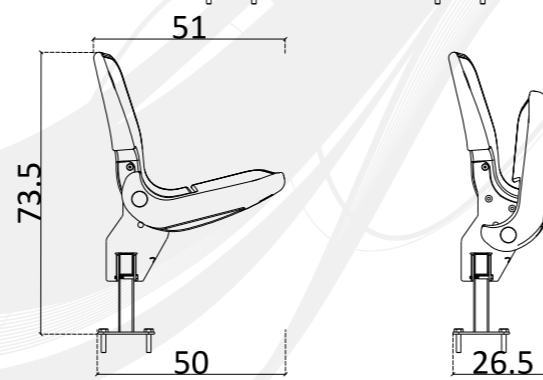
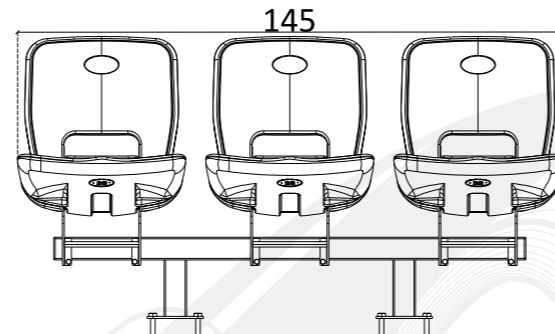
SIDE VIEW



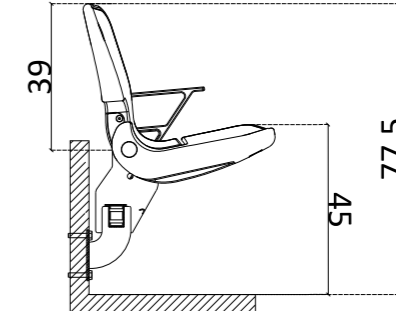
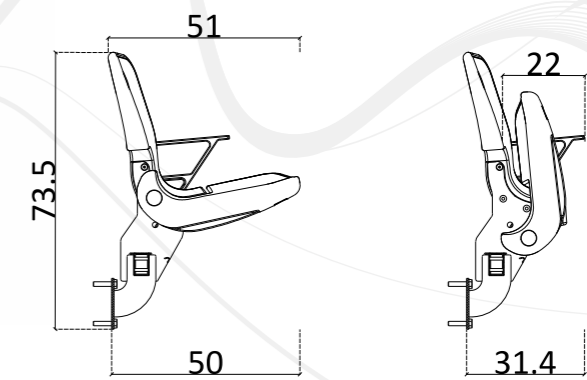
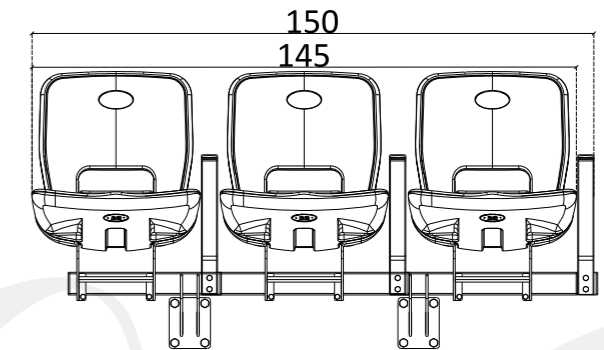
\*All dimensions are centimeters.



MONORAIL TRIPLE FLOOR MOUNTED -421



MONORAIL TRIPLE WITH ARM-322



## LINEA TECHNICAL DATASHEET

- ⚡ Seat and backrest is produced from high density PE using blow molding system.
- ⚡ FR additive is used to delay inflaming as required. Classified as ISO 11925-2.
- ⚡ UV and Antioxidant additives provide 5 years resistance against color fading.
- ⚡ Ergonomical design to provide comfort for audience .
- ⚡ Seat number in eye level.
- ⚡ Automatic folding system, nota spring, silently with the gravity. Quality material in folding system prevents deformation.
- ⚡ Folding mechanism is hidden inside plastic seat for safety.
- ⚡ Metal frame is smooth surface with laser cut in 5 mm thickness.
- ⚡ Surface of metal frame is sandblasted and undercoated before color is applied.
- ⚡ Metal frame has been tested with 500 hours Neutral Salt Spray Fog test and comes with 5 year warranty against corrosion.
- ⚡ 3 or 4 anchoring points depending on the application method with M8 bolts.
- ⚡ Can be installed as required : to the floor, to the step, mounting on monorail.
- ⚡ Optional armrest and cupholder.
- ⚡ Vandal-proof construction
- ⚡ Linea Tip Up seats have texturized surface and logo space on their backrests.
- ⚡ **Our products have TS EN 12727 & TSE EN 13200-4 certificates and our company has ISO 9001:2015 Quality Management System.**

