

Valve Controller



Contents

ZigBee Valve Controller • • • • • • • 1–7

WiFi Valve Controller • • • • • • • 8–14

ZigBee Valve Controller

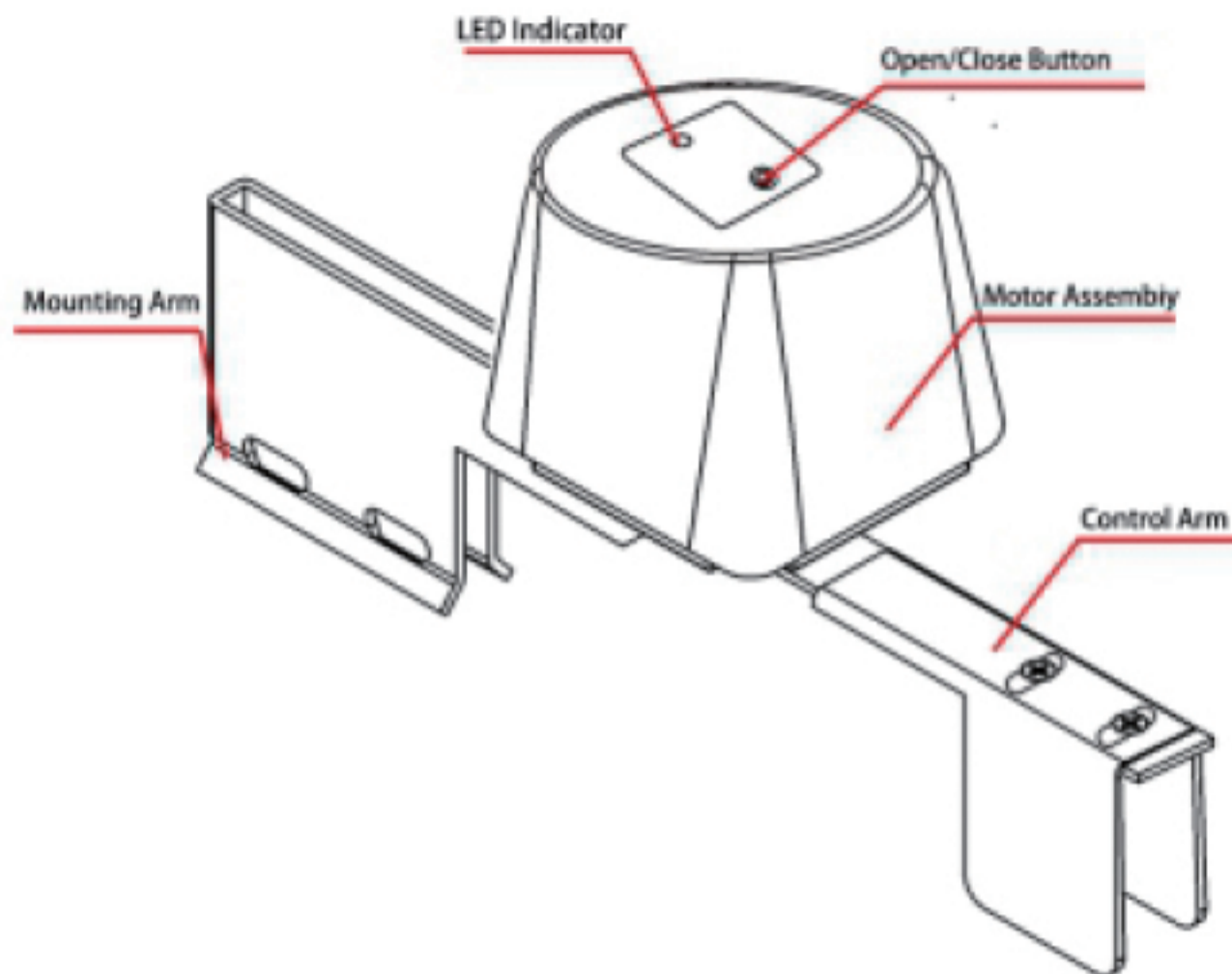
User Manual



Code to download the client

Introduction

This wireless valve controller easily installs onto existing ball valves to give you remote control over your water or gas lines. You can monitor and control your valves from your phone . You can even set schedules to limit consumption and close or open valves based on sensors, preventing a small leak from becoming a big problem.



Technical specification

Rated voltage span:12V/1A

Communication technology:Zigbee

Communication frequency :12V/1A

Wireless range (sight of line): 60-80 M

Valve Pressure:1.6 Mpa

Close time:5~10 seconds

Open time: 5~10 seconds

Valve size: 1/2",3/4", 1", 1.25"

Torque: 7~8N.cm

Accessories: 12V/1A power adaptor, hardware accessories

CE:14-112638

FCC:2ACC6GR-105

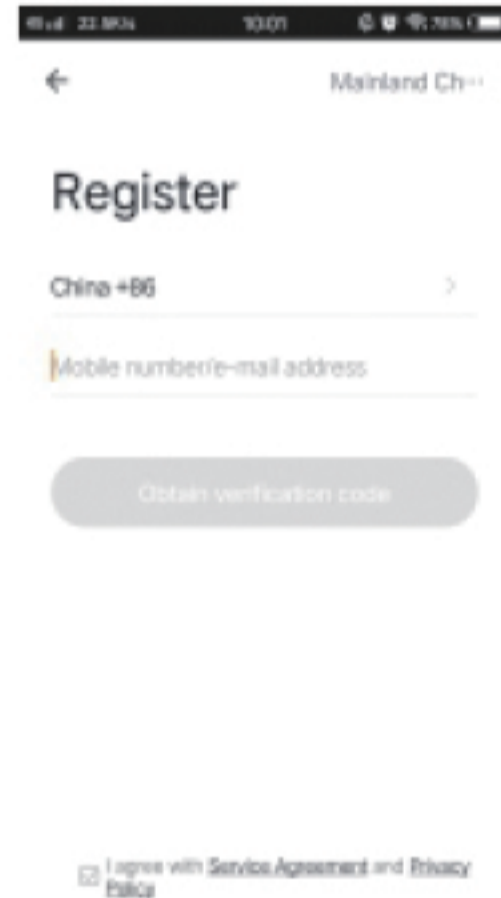
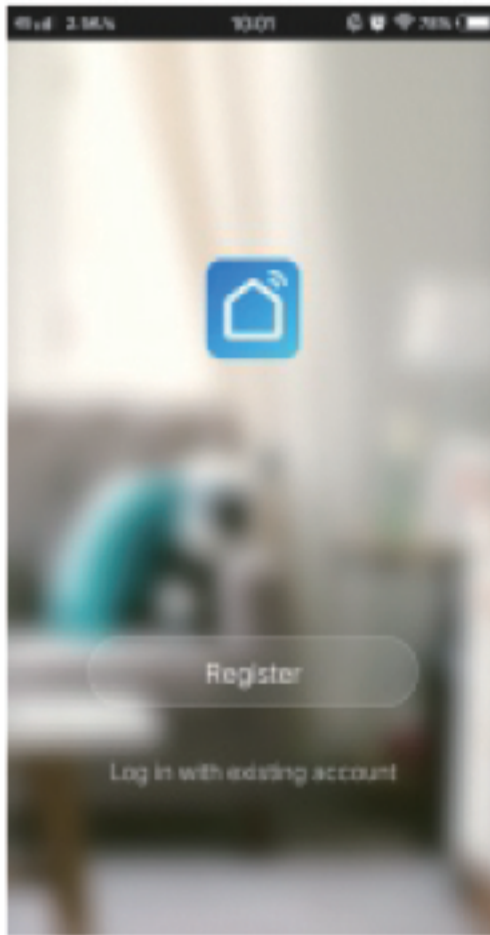
Including/Connecting into the ZigBee Network:

Download App (Scan the QR Code)

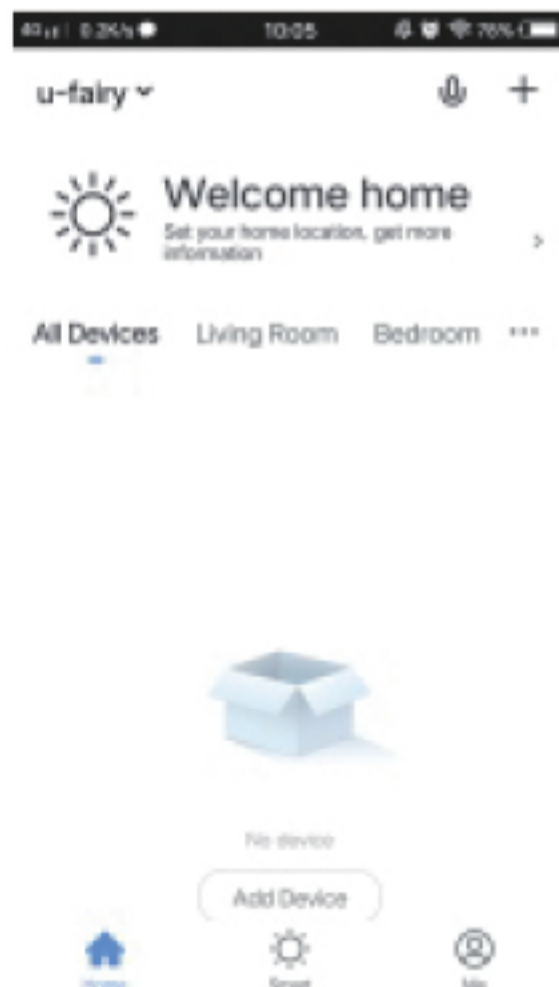
1. Android phone:Download "Smart life" from Google play store.
2. IOS device:Download "Smart life" from APP store.

Register and login

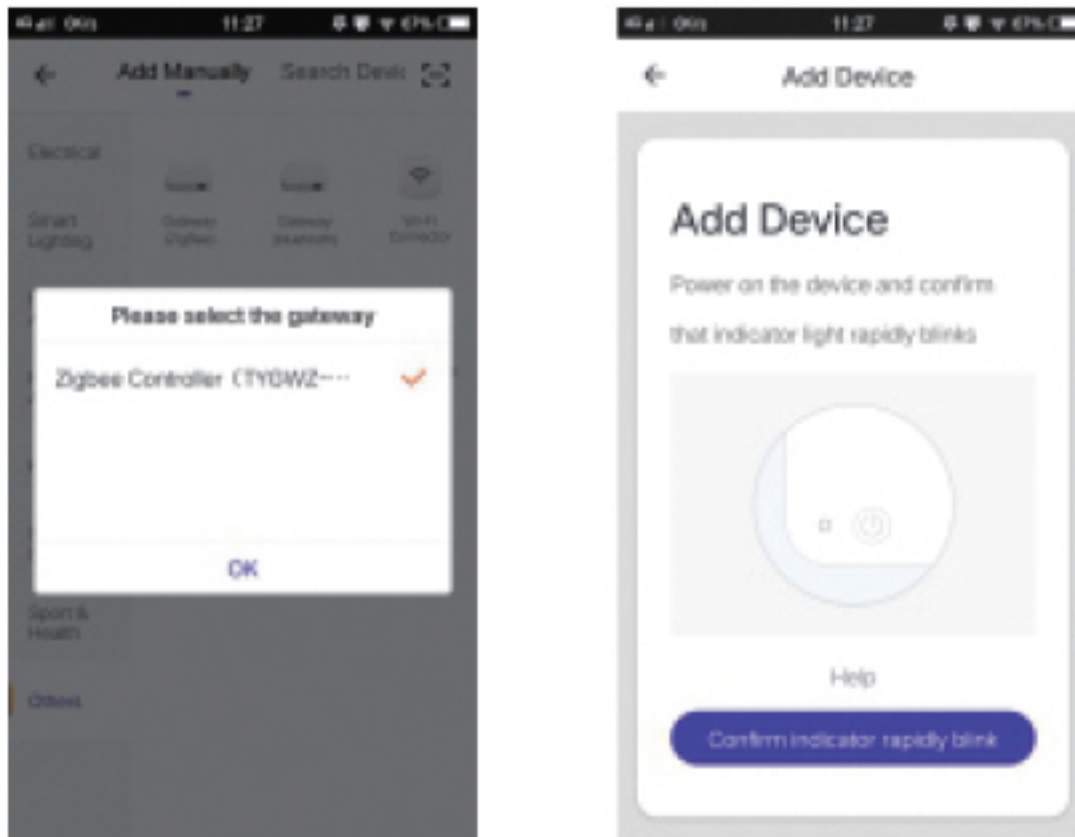
1. Run "Smart life" from your smartphone.
2. Register and login



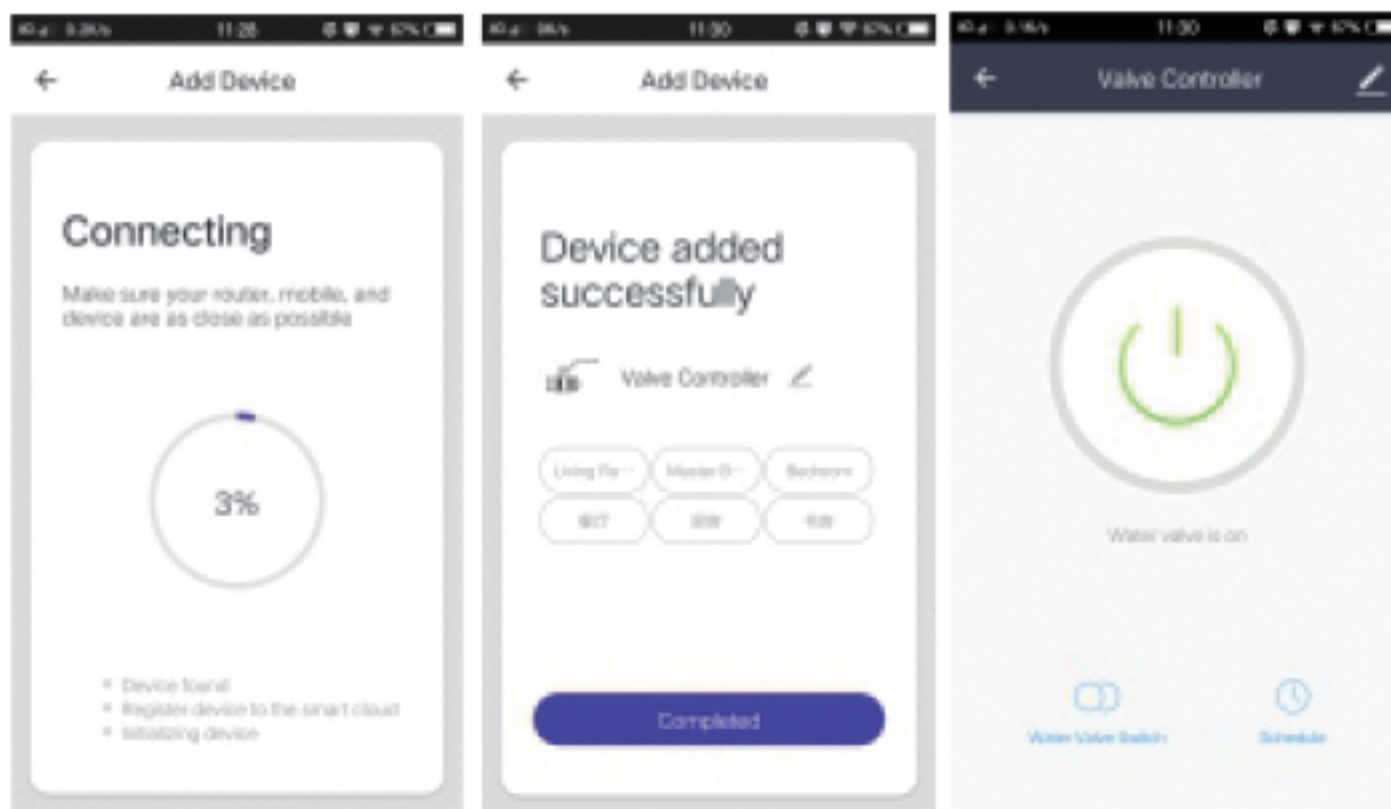
Click "+" in the upper right corner or choose "add device" , then choose "others"



Power on the valve controller and choose the gateway that need be added into ,then press and hold the Open/Close Button for 5 seconds and then release . Make sure the blue LED flash .

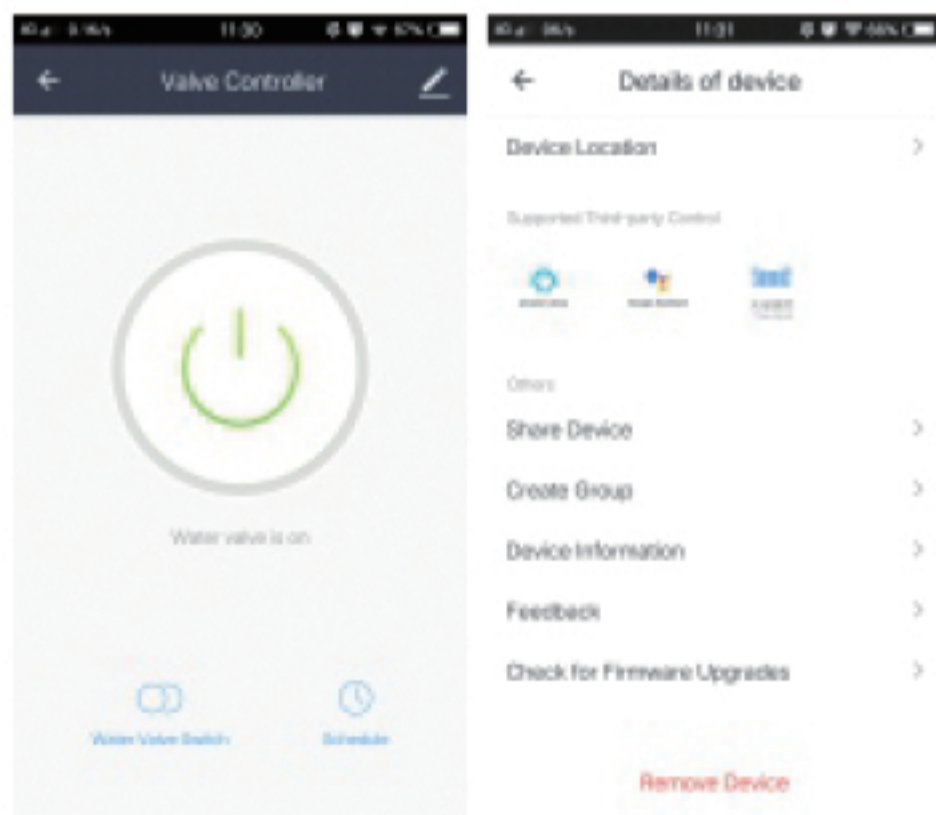


Please make sure that the valve is close to the gateway when adding device, the icon will and u can change the name , u can open /close the valve by clicking on the icon.



Disconnect from the ZigBee Network.

Click the icon in the upper right corner , the choose “Remove Device” .



Restoring the Water Main Shut-Off to the Factory Default Settings:

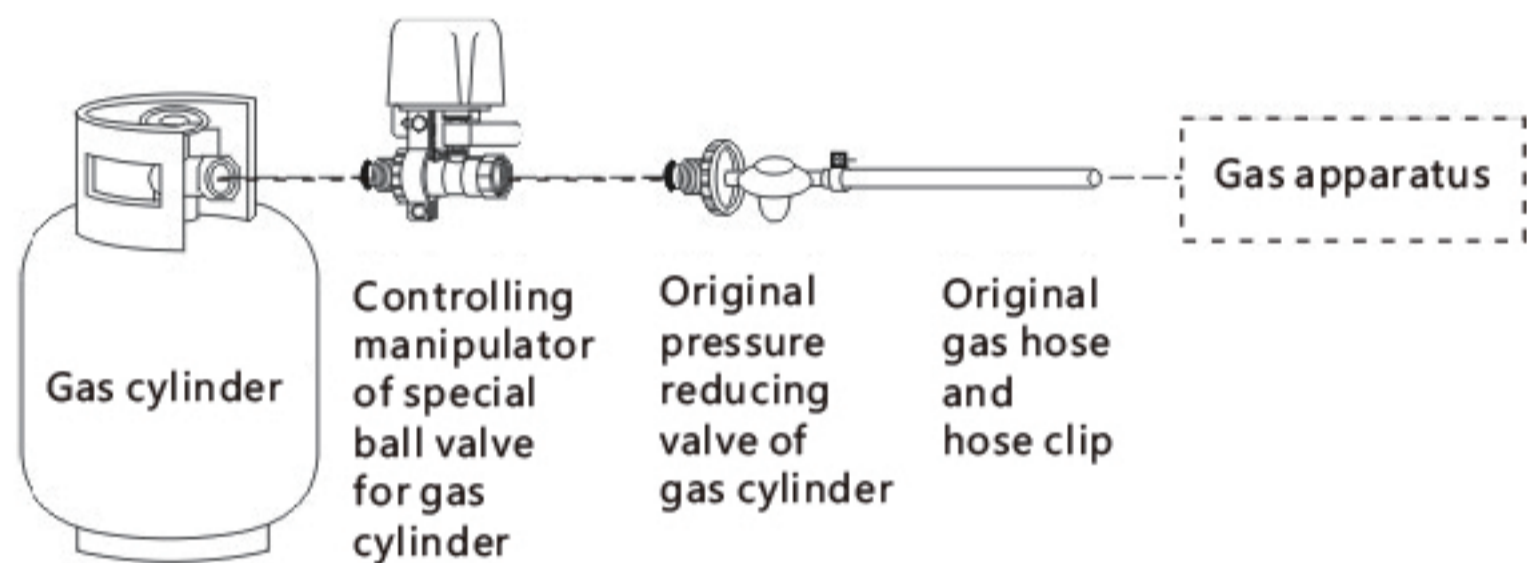
Press and hold the Open/Close Button for 10 seconds and then release. A flashing light indicates a successful factory reset. Beware that resetting your device will disconnect it from your system. Only do this if the Controller is missing or otherwise unreachable.

Hardware Installation

The main ball valve should be designed and installed to the place as much as convenient for manual opening & closing operation. The manipulator should keep 20mm away from the wall. Inserted mounting hole into pipe clamp and fixed by screw. Put pipe adjuster on the clamp then install with water pipe. Fixed the adjuster while same position of auto valve middle line and ball valve middle point after rocker arm clips the valve handle.

For bottled gas user

To connect bottled gas, the user uninstalls the original pressure reducing valve and installs the manipulator with the special ball valve for pipe between the original angle valve and pressure reducing valve, and then tightens it. (See the following figure.)



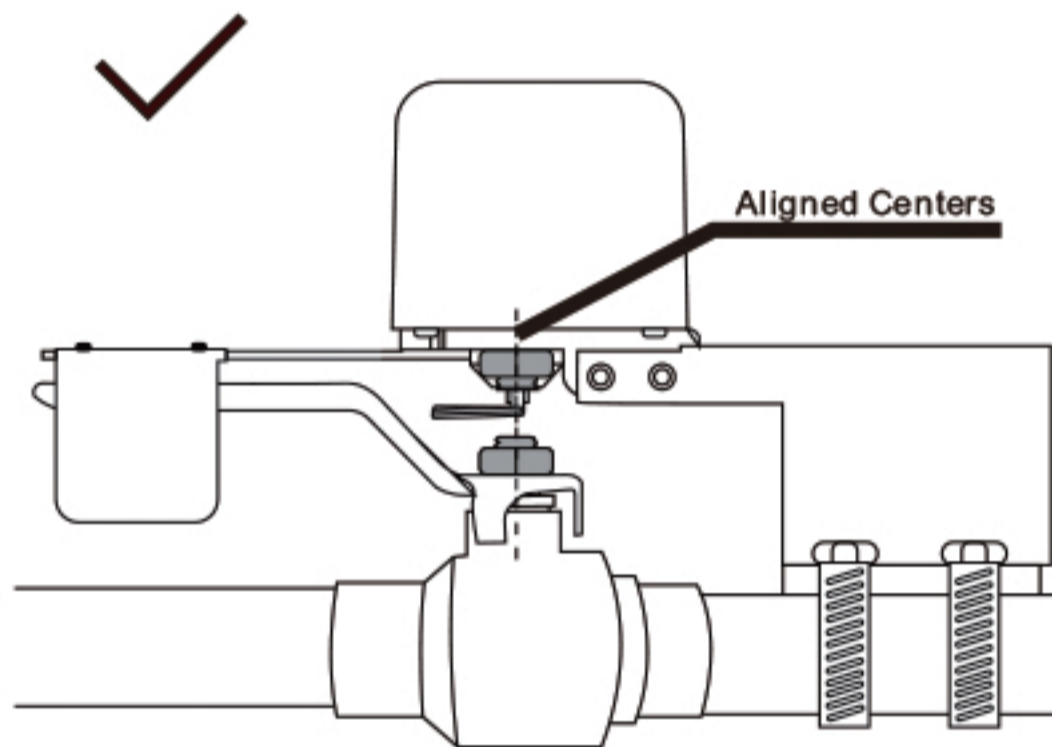
In case of alarm failure, overhaul or power cut, can manually close the valve.

- a) pull out the tab of clutch and keep,
- b) manually turn the handle to 90 degree, open and close the handle to the dead point until move smoothly,
- c) Release the tab, then gently move the handle to make the clutch back to its original position.

This product is also applicable to automatic control of other gas or fluid valves such as water valve

Attention

It is absolutely critical that the axes for both the valve and the Water Main Shut-Off are aligned ,as shown in the following picture :



Override Operation

The Water Main Shut-Off can be operated manually in the event of a power outage, loss of communication with your Z-Wave Hub, or some other emergency. Follow these instructions to manually operate the Shut-Off:

1. Unplug the power from your device
2. Locate the Motor Clutch on the underside of your device and pull it outward by the keychain ring. The Control Arm will disengage from the motor and move free

WIFI Valve Controller

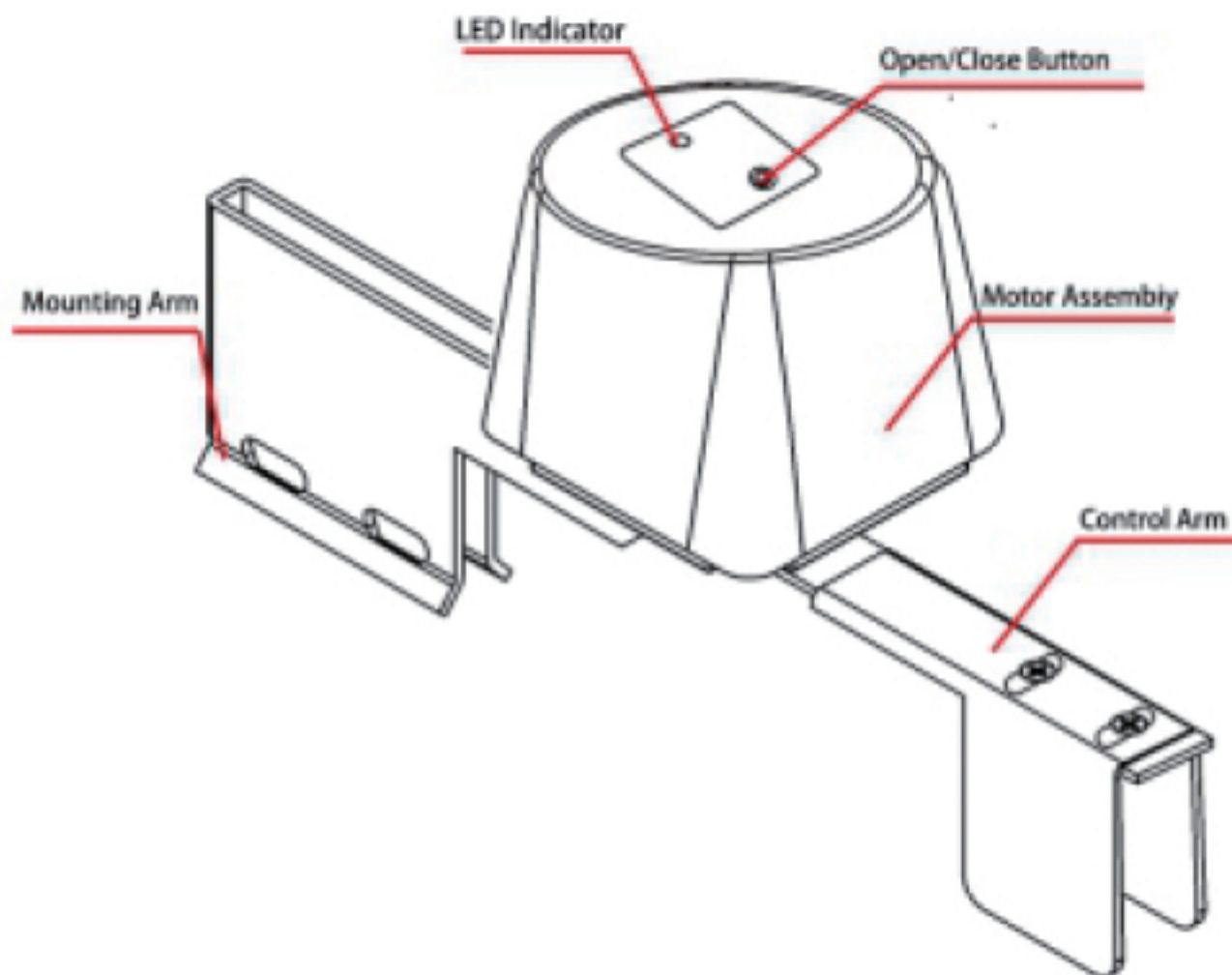
User Manual



Code to download the client

Introduction

This wireless valve controller easily installs onto existing ball valves to give you remote control over your water or gas lines. You can monitor and control your valves from your phone . You can even set schedules to limit consumption and close or open valves based on sensors, preventing a small leak from becoming a big problem.



Technical specification

Rated voltage span:12V/1A

Communication technology:wifi

Communication frequency :12V/1A

Wireless range (sight of line): 60-80 M

Valve Pressure:1.6 Mpa

Close time:5~10 seconds

Open time: 5~10 seconds

Valve size: 1/2",3/4", 1", 1.25"

Torque: 7~8N.cm

Accessories: 12V/1A power adaptor, hardware accessories

CE:14-112638

FCC:2ACC6GR-105

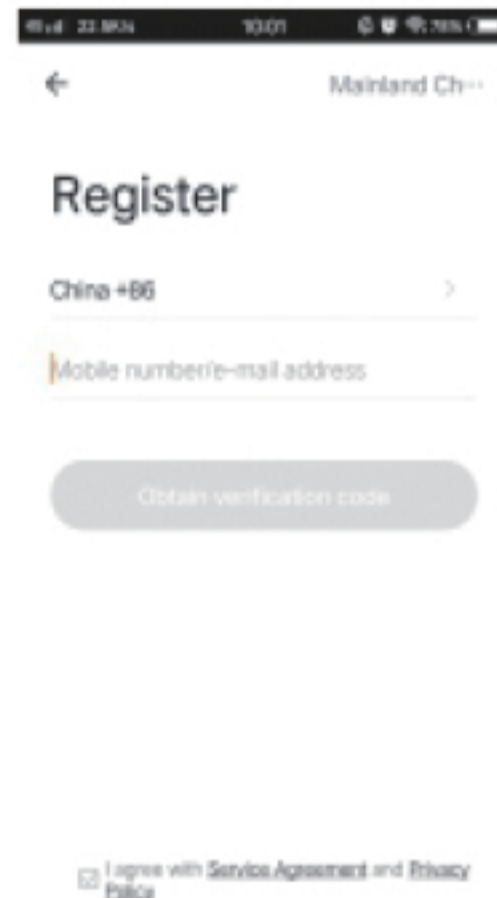
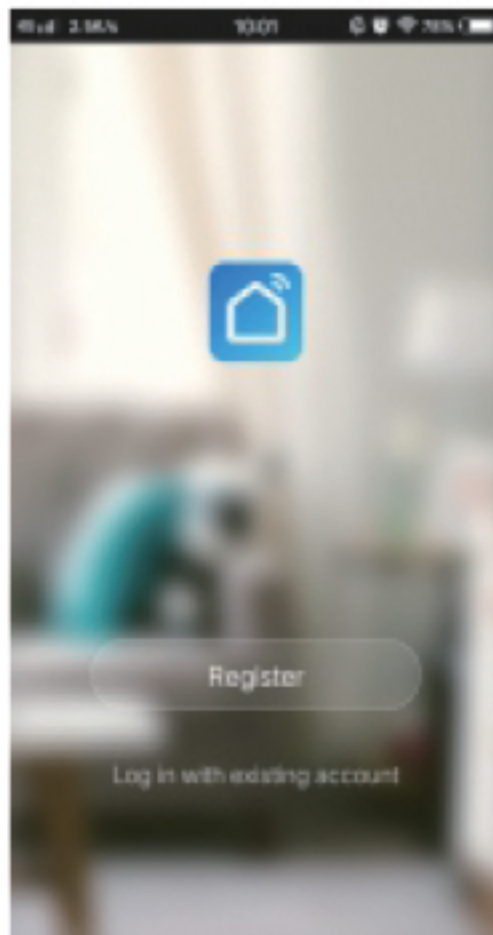
Including/Connecting into the WIFI Network:

Download App (Scan the QR Code)

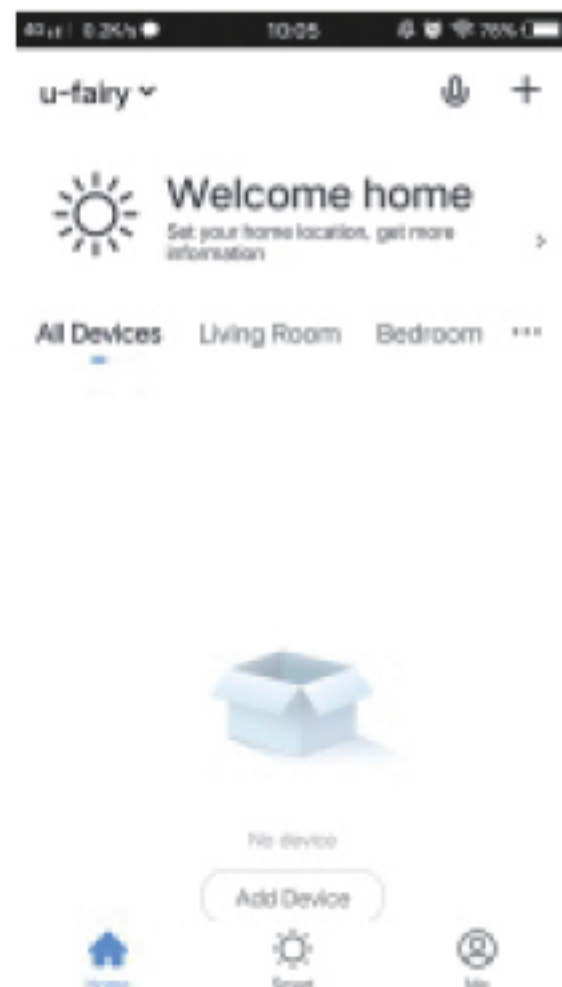
1. Android phone:Download "Smart life" from Google play store.
2. IOS device:Download "Smart life" from APP store.

Register and login

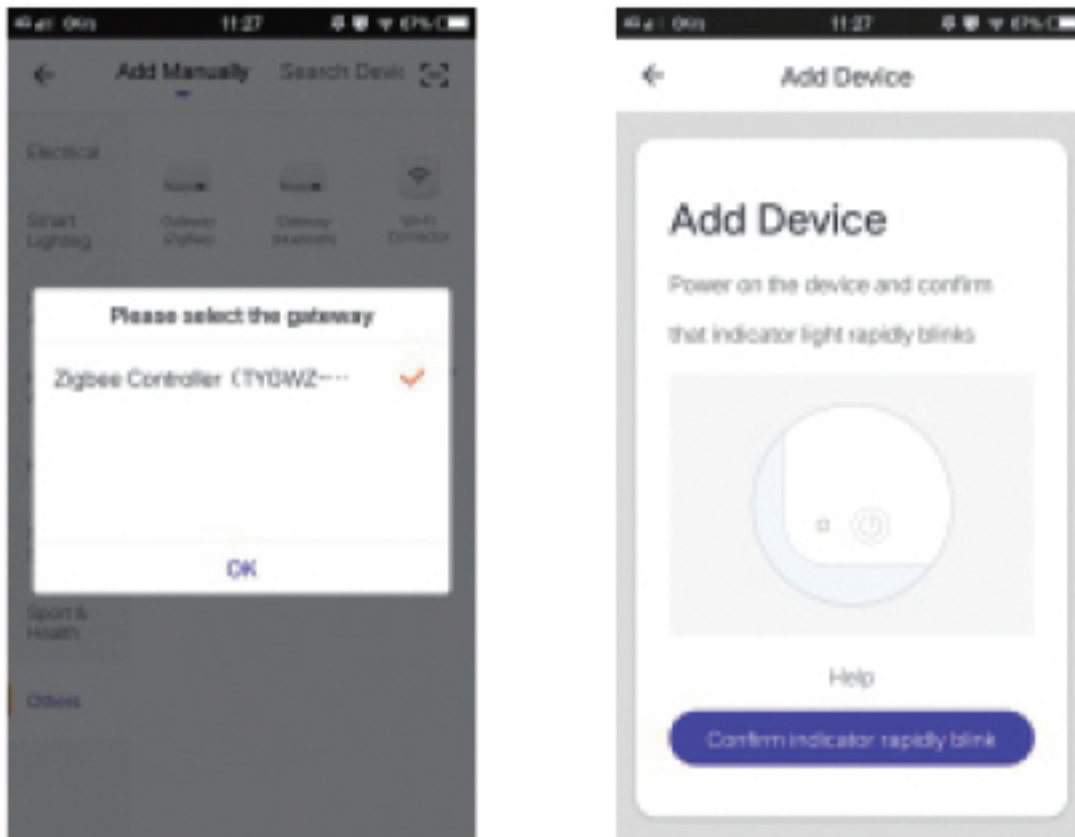
1. Run "Smart life" from your smartphone.
2. Register and login



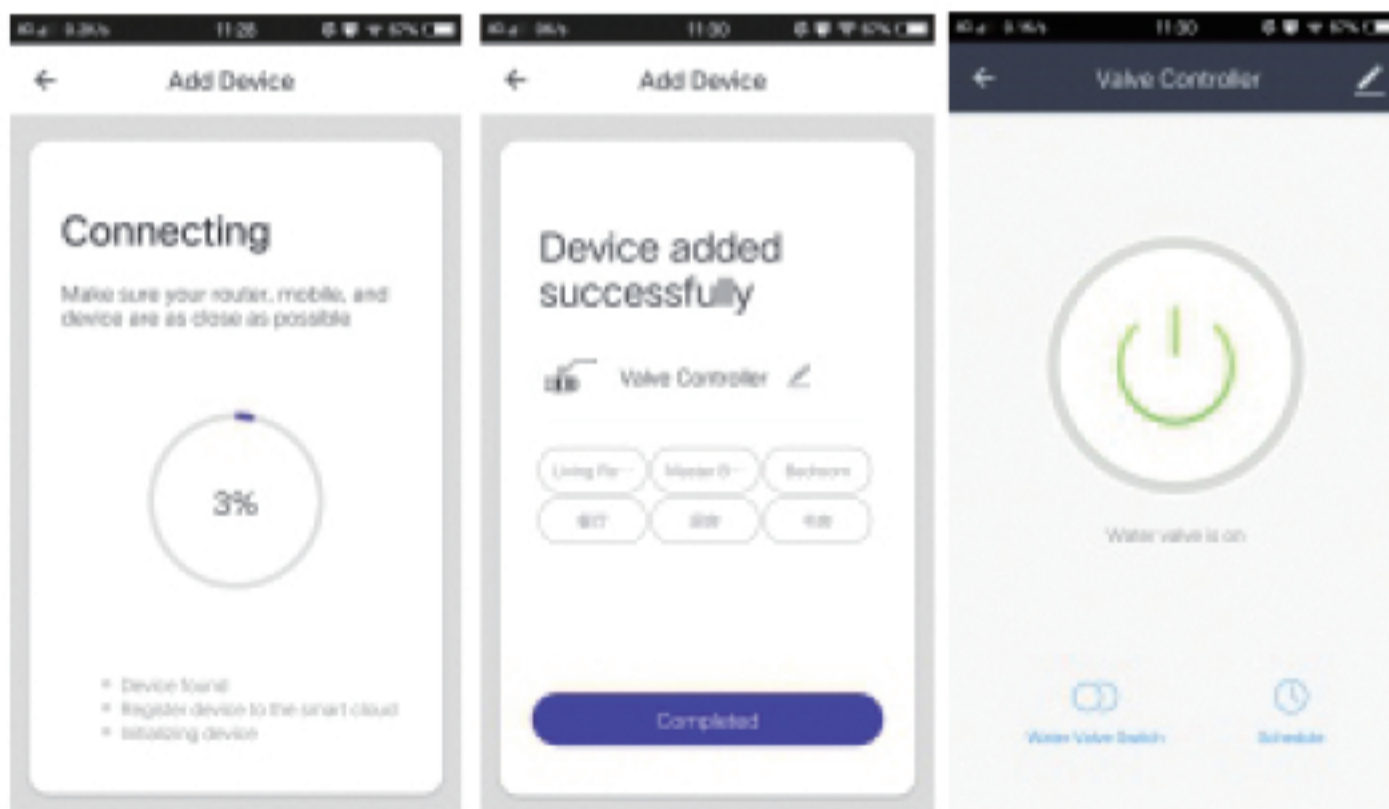
Click "+" in the upper right corner or choose "add device" , then choose "others



Power on the valve controller and choose the gateway that need be added into ,then press and hold the Open/Close Button for 5 seconds and then release . Make sure the blue LED flash .

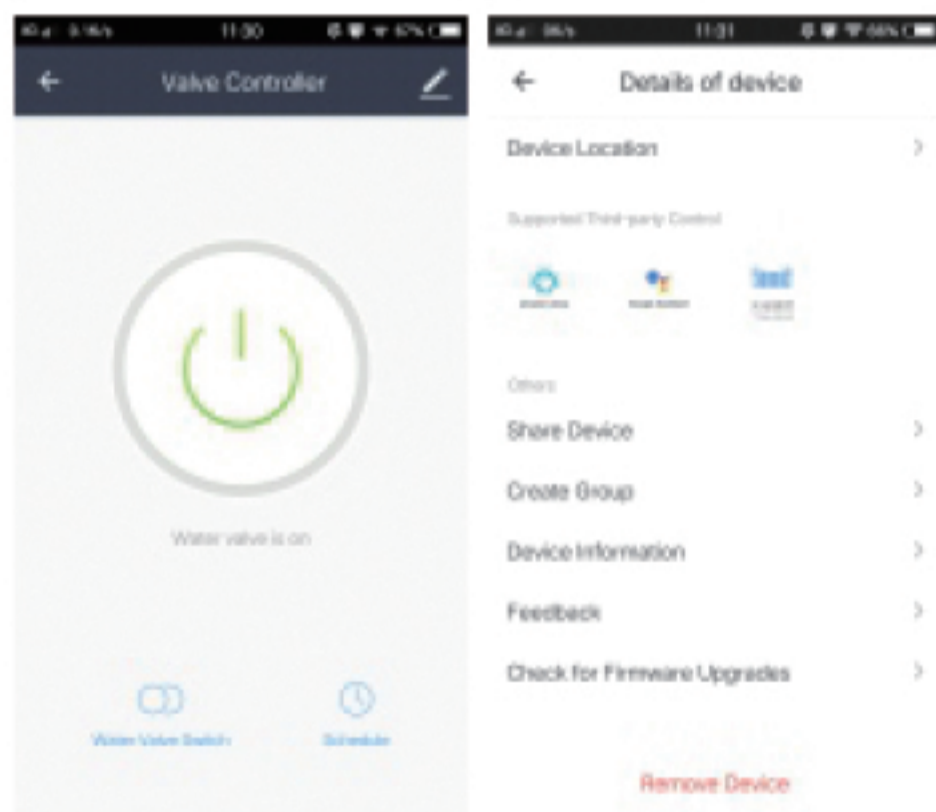


Please make sure that the valve is close to the gateway when adding device, the icon will and u can change the name , u can open /close the valve by clicking on the icon.



Disconnect from the WIFI Network.

Click the icon in the upper right corner , the choose "Remove Device" .



Restoring the Water Main Shut-Off to the Factory Default Settings:

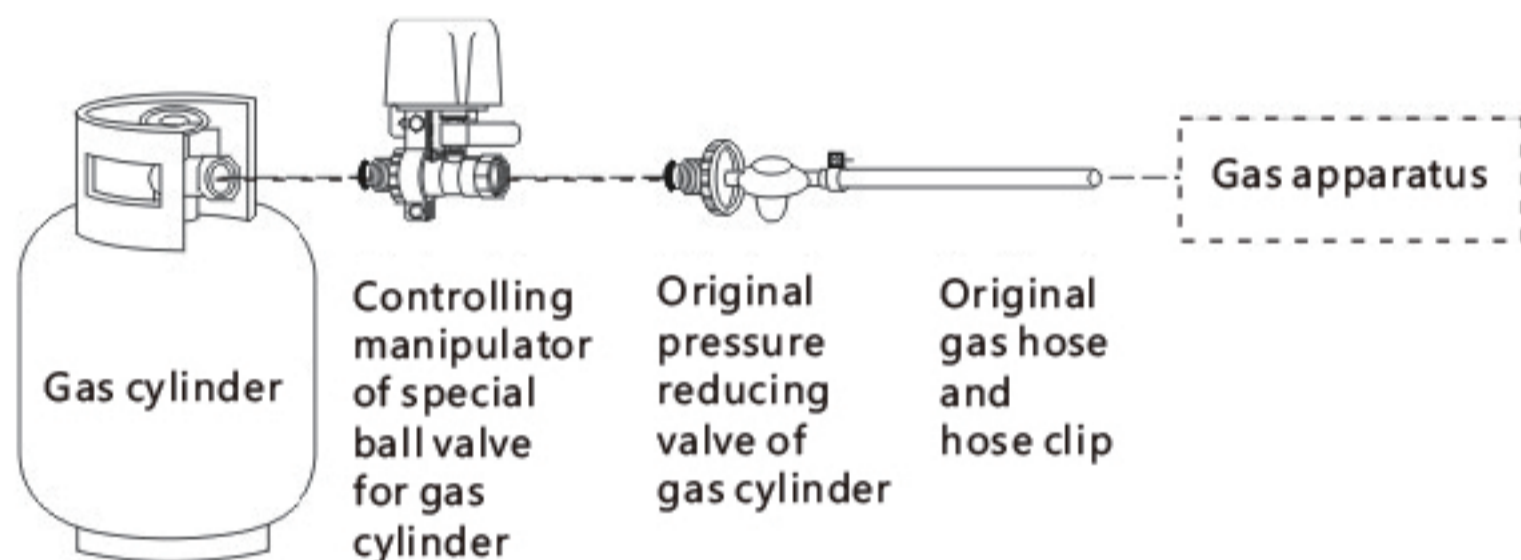
Press and hold the Open/Close Button for 10 seconds and then release. A flashing light indicates a successful factory reset. Beware that resetting your device will disconnect it from your system. Only do this if the Controller is missing or otherwise unreachable.

Hardware Installation

The main ball valve should be designed and installed to the place as much as convenient for manual opening & closing operation. The manipulator should keep 20mm away from the wall. Inserted mounting hole into pipe clamp and fixed by screw. Put pipe adjuster on the clamp then install with water pipe. Fixed the adjuster while same position of auto valve middle line and ball valve middle point after rocker arm clips the valve handle.

For bottled gas user

To connect bottled gas, the user uninstalls the original pressure reducing valve and installs the manipulator with the special ball valve for pipe between the original angle valve and pressure reducing valve, and then tightens it. (See the following figure.)



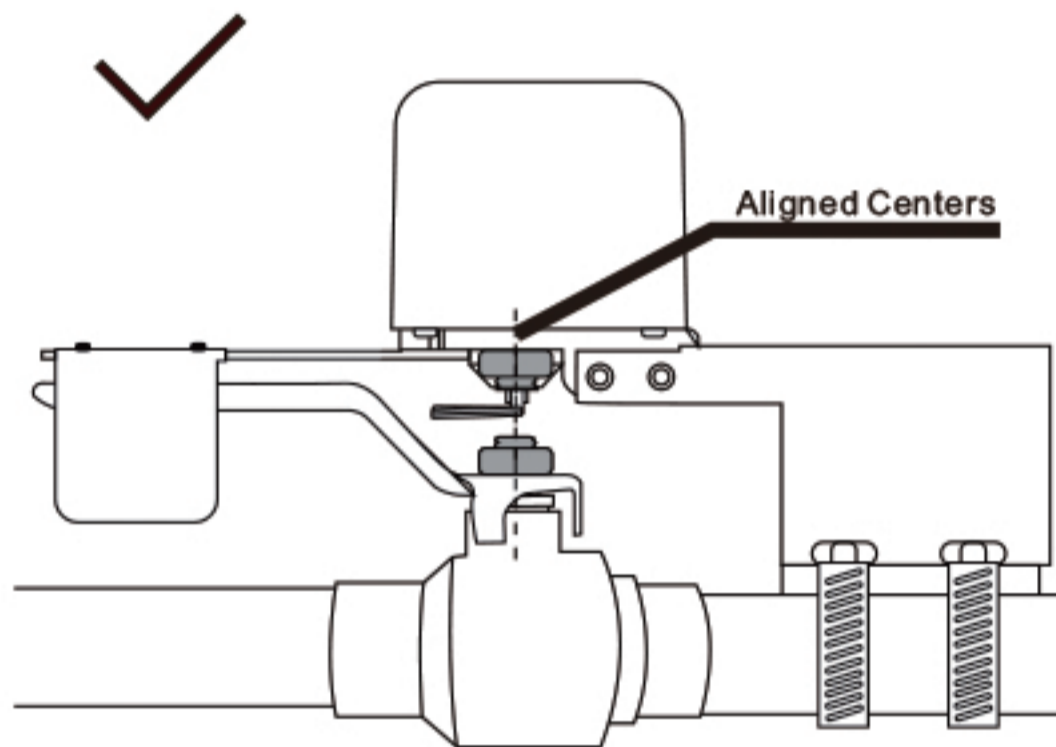
In case of alarm failure, overhaul or power cut, can manually close the valve.

- a) pull out the tab of clutch and keep,
- b) manually turn the handle to 90 degree, open and close the handle to the dead point until move smoothly,
- c) Release the tab, then gently move the handle to make the clutch back to its original position.

This product is also applicable to automatic control of other gas or fluid valves such as water valve

Attention

It is absolutely critical that the axes for both the valve and the Water Main Shut-Off are aligned ,as shown in the following picture :



Override Operation

The Water Main Shut-Off can be operated manually in the event of a power outage, loss of communication with your Z-Wave Hub, or some other emergency. Follow these instructions to manually operate the Shut-Off:

- 1.Unplug the power from your device
- 2.Locate the Motor Clutch on the underside of your device and pull it outward by the keychain ring. The Control Arm will disengage from the motor and move free