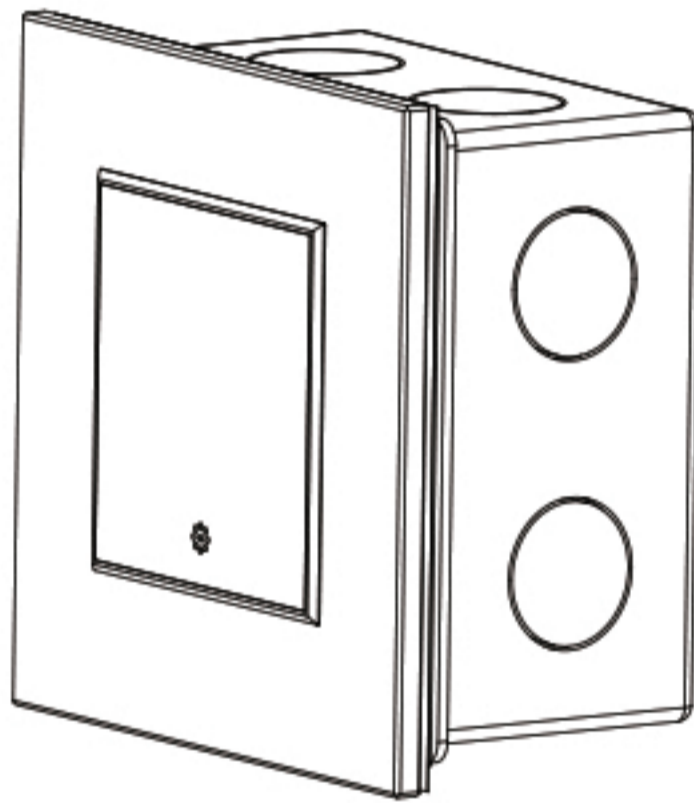


WiFi Thermostat User Guide

(WiFi Series)



For Water Heating/Boiler/Electric Heating

Thank you for purchasing our products, please read the following terms before installation and use:

- *Please confirm that this product is suitable for your heating equipment before installation;
- *Before installation or maintenance, please make sure to keep the power off;
- *Please strictly follow the wiring diagram for wiring installation;
- *Installation to the wall, please confirm that the fasteners are suitable for this product;
- *If a hard plastic wire is used in the installation process, it must be bent to an appropriate angle in advance;
- *Please arrange for professionals to install;
- *Please contact the after-sales service for equipment failure, please do not try to repair it yourself;
- *After installation, please refer to this manual to check again to ensure normal and safe use, and keep this manual properly.

MODEL DEFINITION

The thermostat is suitable for electric heating, water heating, wall-hung boilers and boiler temperature control systems, and can be used in smart homes, shopping malls, and industrial operations. Before use, please confirm the specific model of this product and the corresponding heating equipment.

HTWI - suitable for water heating equipment
HTEI - suitable for electric heating equipment
HTBI - suitable for wall-hung boilers, boiler equipment
Please refer to the wiring diagram to identify the model or contact the dealer.

FEATURES

On Appearance

1. Convenient operation creates convenient life.
2. Touch screen display with backlight is easy to read, even in the dark.
3. Glass frame, showing fashion;
4. Fashion design blends in with any decor.
5. Modular design, more convenient installation;

On Functionality

1. 0.5°C Accuracy keeps temperature within the level you set.
2. Data memory when power is off.
3. 5+2 six periods programmable maximize comfort and economy.
4. Create thermostat group to centralized control
5. Integrated with Amazon Echo, Google Home, Tmall Genie .

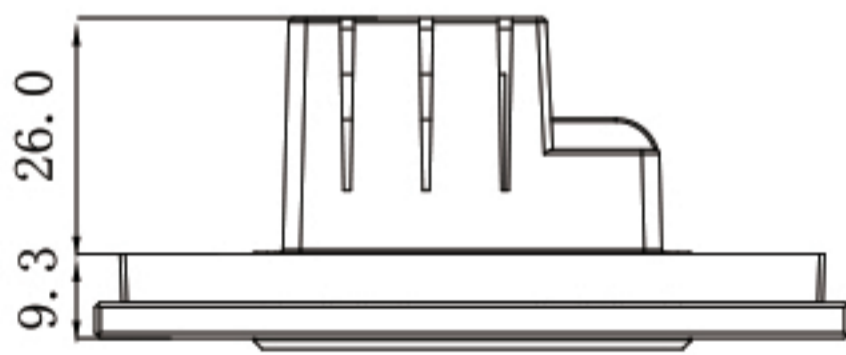
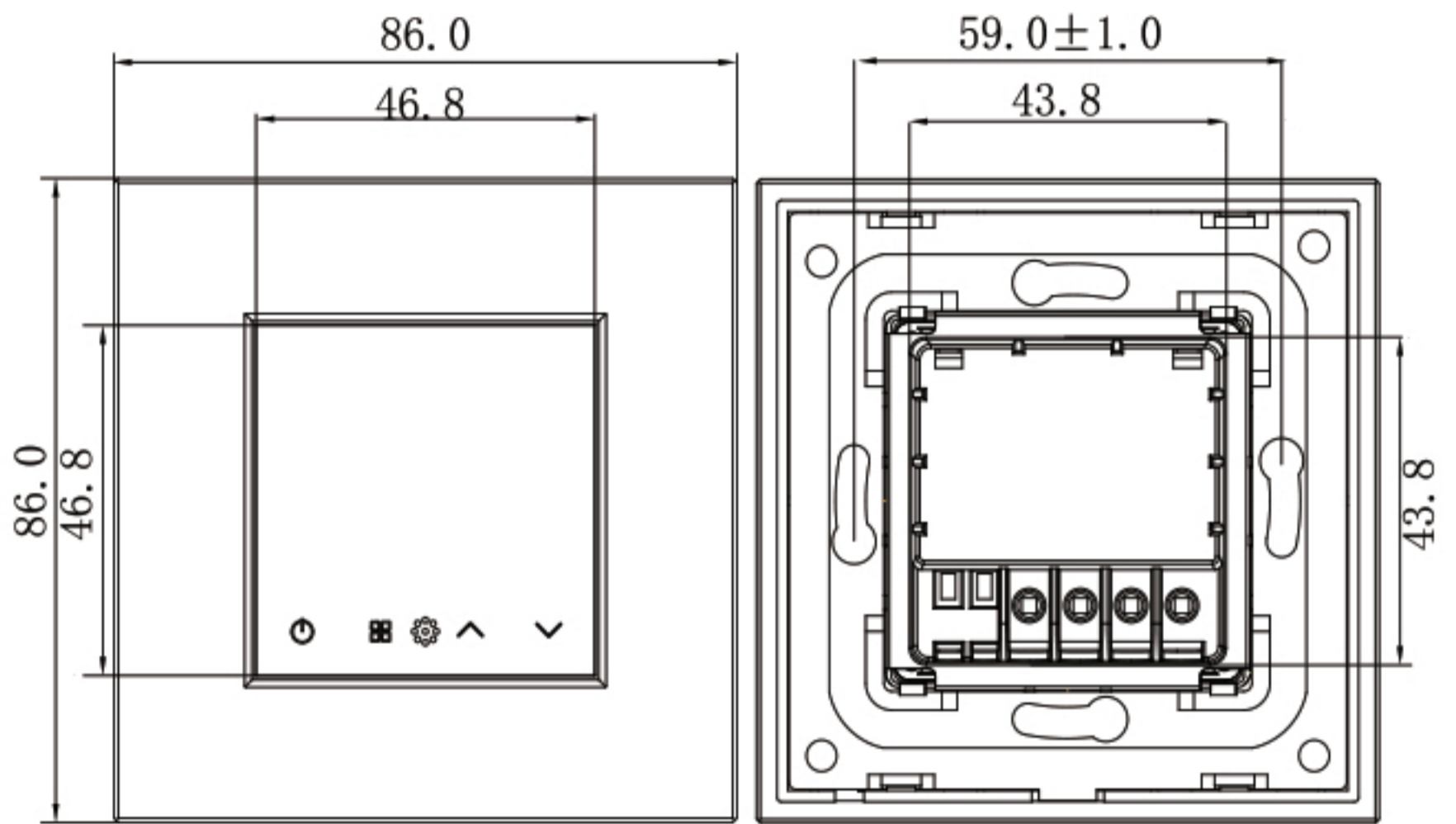
In the box you will find

Thermostat 1pc Screws 2pcs User Guide 1pc
QC Passed 1pc Floor Sensor (2.5m) 1pc(Floor sensor is Optional)

TECHNICAL DATA

Power Supply: 95~240VAC, 50~60HZ
Current Load: 5A (water heating/water boiler/gas boiler)
 16A (electric heating)
Sensor: NTC
Accuracy: $\pm 0.5^{\circ}\text{C}$
Timing Error: <1%
Set Temp. Range: 5~35 $^{\circ}\text{C}$
Power Consumption: <1.5W
Buttons: Capacitive Touch Buttons
Screen: negative LCD screen
Installation Box: European 503 Box
Protection Class: IP20
Shell Material: PC+ABS (flame retardant)
Ambient Temp./Humidity:
0~45 $^{\circ}\text{C}$, 5~95%RH (non condensing)

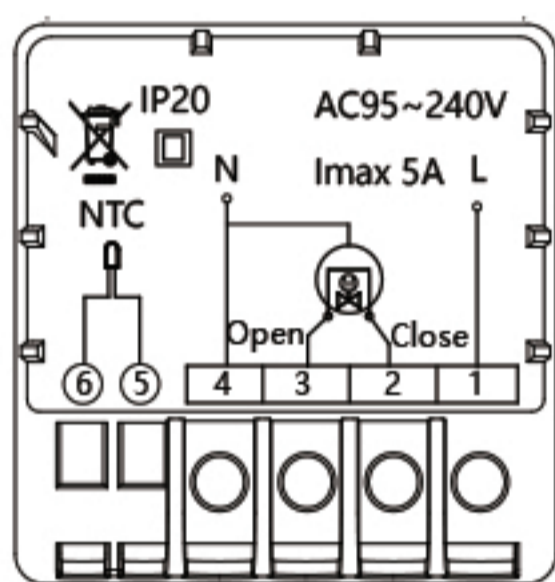
DIMENSION(mm)



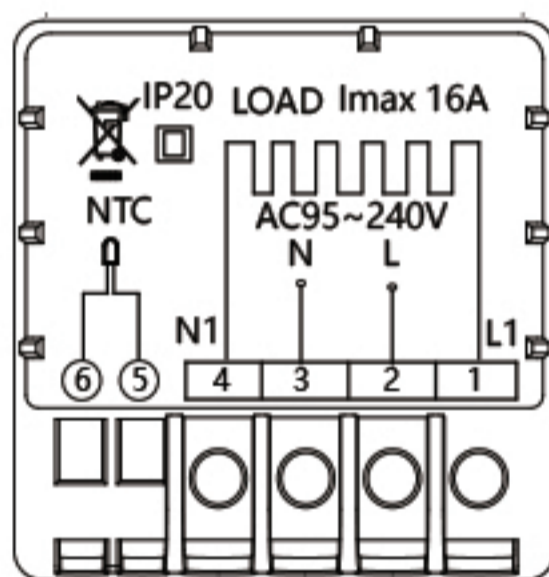
CAUTION !

Electrical Shock or Equipment Damage Hazard.
Can shock individuals or cause short-circuit.
Disconnect power supply before installation.

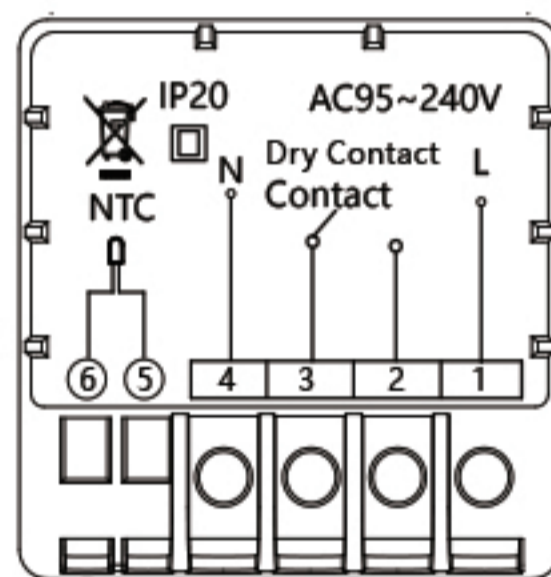
WIRING



HTWI



HTEI

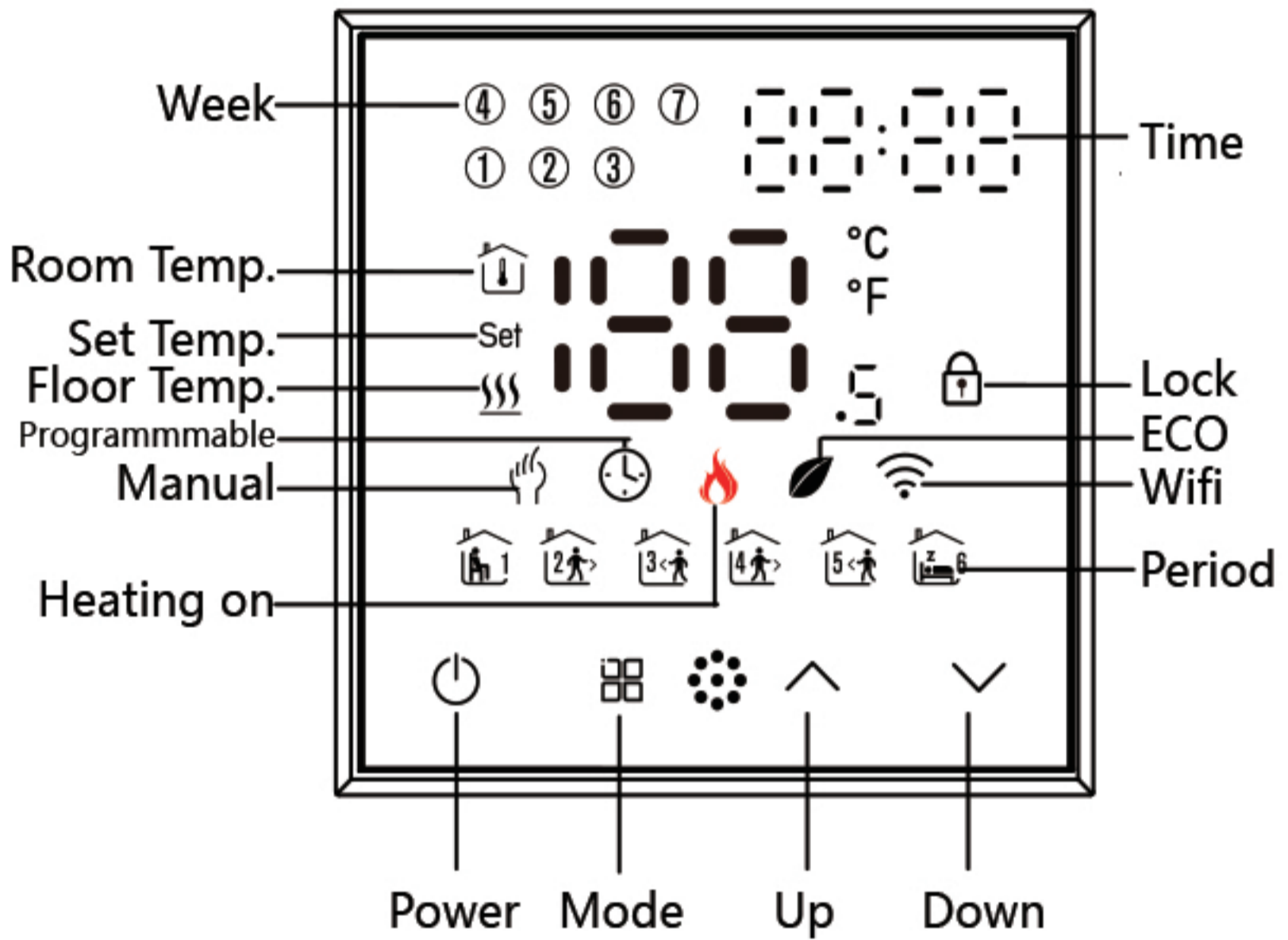


HTBI

Note:

HTWI is for water heating;
HTEI is for electric heating;
HTBI is for water/gas boiler;

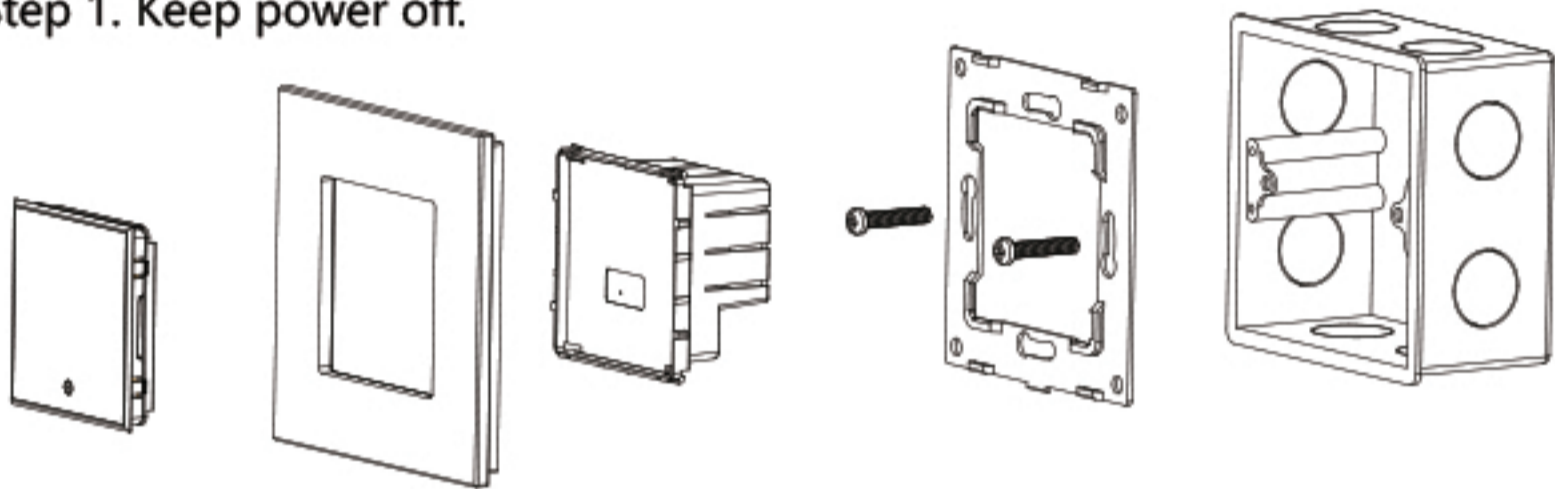
SHOW DESCRIPTION



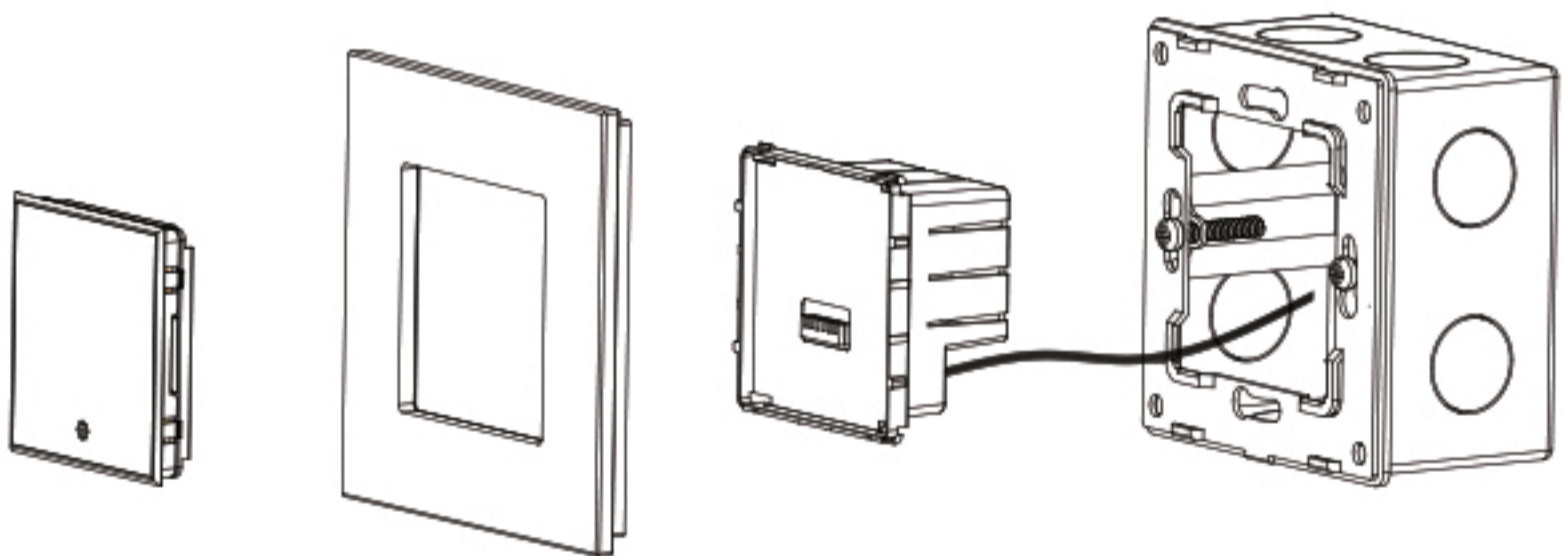
INSTALLATION

Your thermostat is suitable for installation within a standard 503 pattress box.

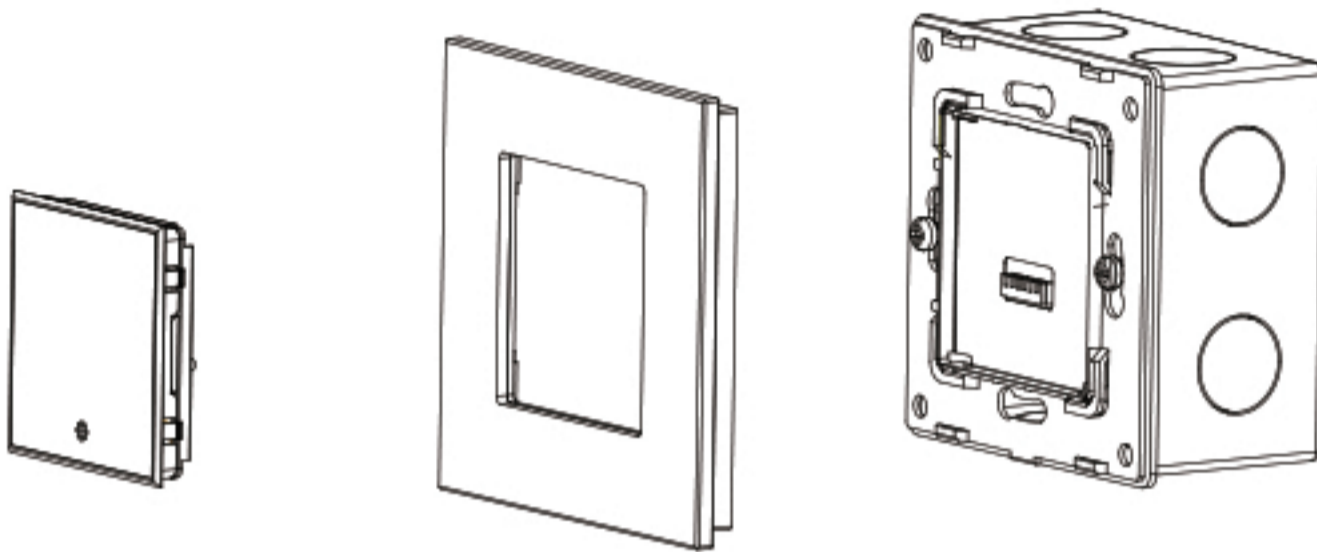
Step 1. Keep power off.



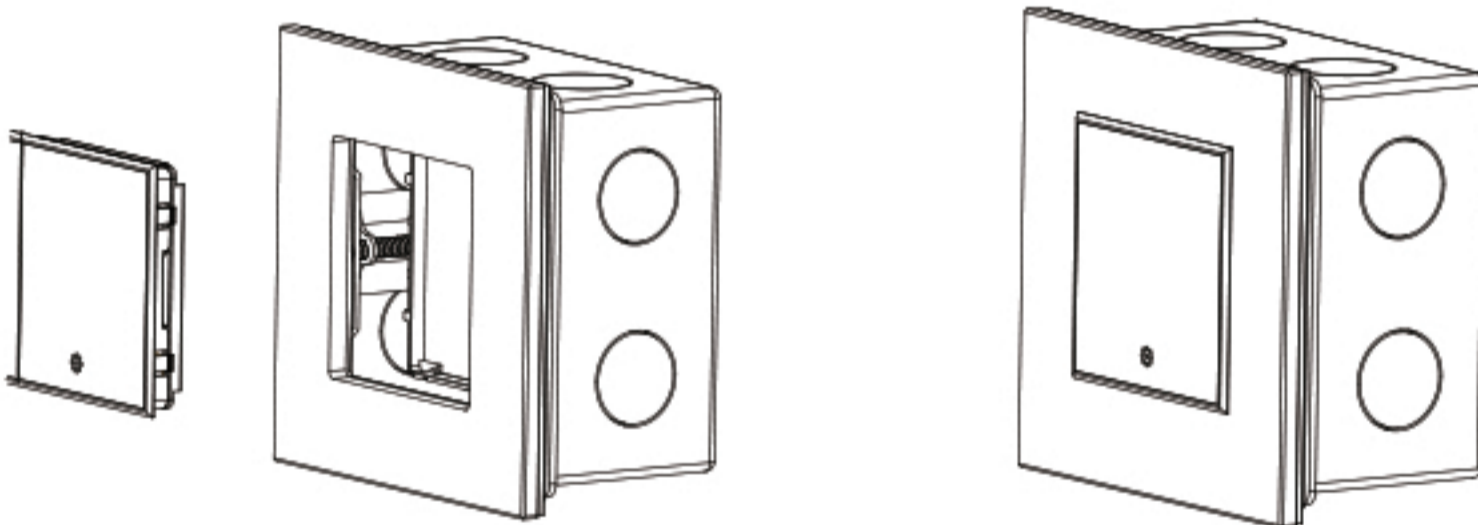
Step 2. Fasten the mounting plate with screws



Step 3. Connect power supply, load into the appropriate terminals.




Step 4. The power module is snapped into the mounting steel plate.






Step 5. Snap the glass panel onto the mounting plate

Step 6. Embed the display module on the glass panel. The installation is complete.

INSTRUCTIONS

1. Power On/off: Press  to turn the thermostat on/off.





2. Manual & Programmable

Touch  to change between manual mode and programmable mode. In the manual mode,  will display in the bottom of the screen. In programmable mode, the period icon  will show in the left side.


3. Setting Temperature

In programmable mode, the temperature can be temporarily set, and the temperature will be restored to the corresponding temperature in the programming mode in the next time period. In manual mode, the set temperature is permanently saved.






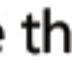








4. Adjusting/Setting the Clock

Touch and hold the icon  set minute, hour and weekday (1 = Monday, 2 = Tuesday etc.) by using the   arrows. Press  power off and on, the settings are saved.

5. Locking your Thermostat

Press and hold the  for 5 seconds to lock/unlock your thermostat. In APP of high senior options, you can select full lock or half lock.

6. Adjusting/setting the Program Schedules


Touch and hold the icon  set minute, hour and weekday (1 = Monday, 2 = Tuesday etc.) by using the   arrows. Press  once more the weekday schedule settings appear (1 2 3 4 5 will show along the bottom of the screen). Use the  and  arrows to adjust the time. Press the icon  and use the  and  arrows to set the Temp (1st period). Press  again and use  and  arrows to set the time and temp. (2nd period). Repeat this process for periods 3 and 4. Press the icon  once more to enter the Saturday schedule settings (6 will show along the bottom of the screen). Repeat the above process to set the period and temp. and Sunday schedule. Press  once more to confirm and exit.

Default settings for program schedul



Time display	WEEKDAY (MONDAY—FRIDAY) (1 2 3 4 5 shows on screen)		WEEKEND (SATURDAY) (6 shows on screen)		WEEKEND (SUNDAY) (7 shows on screen)	
	TIME	TEMPERATURE	TIME	TEMPERATURE	TIME	TEMPERATURE
Period 1	06:00	20 °C	06:00	20 °C	06:00	20 °C
Period 2	11:30	20 °C	12:00	20 °C	12:30	20 °C
Period 3	13:30	20 °C	14:30	20 °C	14:30	20 °C
Period 4	17:30	20 °C	17:30	20 °C	18:00	20 °C

Use APP for one week of programming settings, please refer to the Wifi connection instructions QR code.

7. Checking the Temperature of Floor Sensor

Press and hold the  for 5 seconds to display the temp. of floor sensor.

8. Setting the Functions and Options

When power is off, press and hold  for 3 sec. in order to reach system function. Then press  to change the different items
All the settings will confirm automatically when power is on.

Code	Function	Settingandoptions	Default
1	Temperature compensation	-9 to 9 °C	-6
2	Deadzone Temp.	1-5 °C	1
3	Button Locking	00:All buttons are locked except power button. 01:All buttons are locked.	1
4	Sensor typer	In: Internal Sensor (to control the temp.) Ou: External Sensor (to control the temp.) AL: Internal&External Sensor (Internal sensor to control the temp., external sensor to limit the temp.)	AL
5	Min.Set Temp.	5-15 °C	5
6	Max.Set Temp.	15-45 °C	35
7	Temp.display	00:Display set Temp. and Room Temp. 01:Only display set Temp.splay	0
8	Low temp. protection setting.	0-10 °C	0
9	High temp.protection setting.	10-70 °C	45
A	Standby Brightness	3-99	4
B	Temp. protection(only for electric heating)	35-45 °C	40

Wifi connection operation instructions

Before using the Wifi thermostat for the first time, you must first install the "Smartlife" app and connect the thermostat through the "Smartlife" app.

Install the APP (Figure 1-1)



Figure 1-1



Figure 1-2 IOS/AndroidS

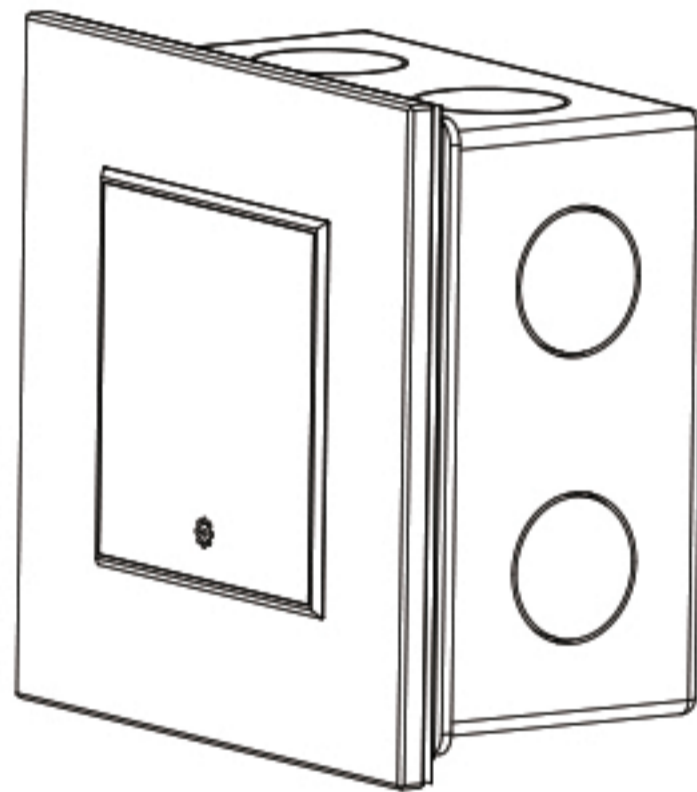
Search for "Smartlife" in the Apple Store or Google Play or scan the QR code above with a browser (1-2), Complete the registration and installation according to the guidance of the APP.

For the specific steps of Wifi connection, please scan the QR code below to get related videos.



Zigbee Thermostat User Guide

(Zigbee Series)



For Water Heating/Boiler/Electric Heating

Thank you for purchasing our products, please read the following terms before installation and use:

- *Please confirm that this product is suitable for your heating equipment before installation;
- *Before installation or maintenance, please make sure to keep the power off;
- *Please strictly follow the wiring diagram for wiring installation;
- *Installation to the wall, please confirm that the fasteners are suitable for this product;
- *If a hard plastic wire is used in the installation process, it must be bent to an appropriate angle in advance;
- *Please arrange for professionals to install;
- *Please contact the after-sales service for equipment failure, please do not try to repair it yourself;
- *After installation, please refer to this manual to check again to ensure normal and safe use, and keep this manual properly.

MODEL DEFINITION

The thermostat is suitable for electric heating, water heating, wall-hung boilers and boiler temperature control systems, and can be used in smart homes, shopping malls, and industrial operations. Before use, please confirm the specific model of this product and the corresponding heating equipment.

HTWZ - suitable for water heating equipment

HTEZ - suitable for electric heating equipment

HTBZ - suitable for wall-hung boilers, boiler equipment

Please refer to the wiring diagram to identify the model or contact the dealer.

FEATURES

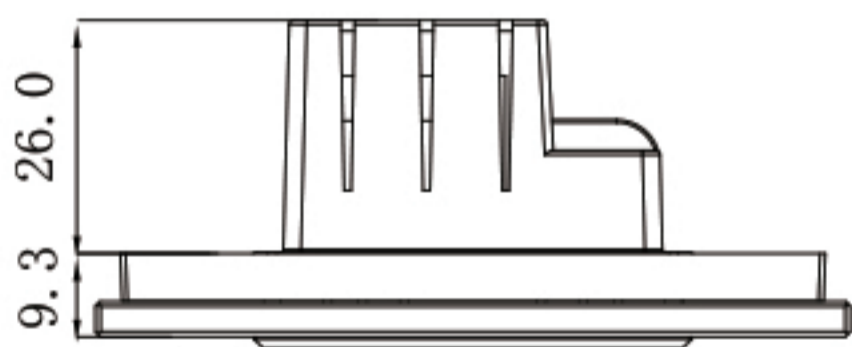
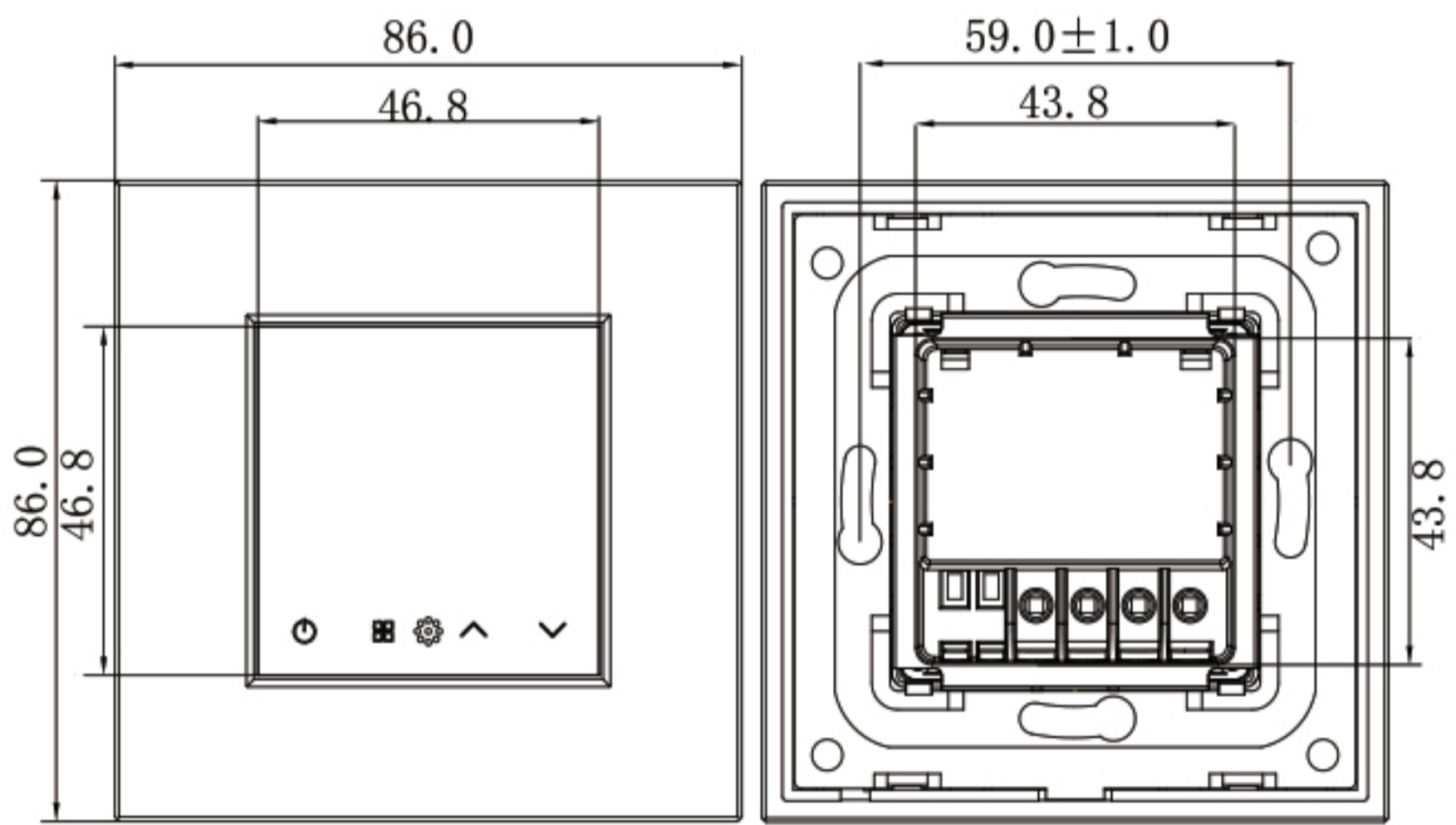
On Appearance

1. Convenient operation creates convenient life.
2. Touch screen display with backlight is easy to read, even in the dark.
3. Glass frame, showing fashion;
4. Fashion design blends in with any decor.
5. Modular design, more convenient installation;

On Functionality

1. 0.5°C Accuracy keeps temperature within the level you set.
2. Data memory when power is off.
3. 5+2 six periods programmable maximize comfort and economy.
4. Create thermostat group to centralized control
5. Integrated with Amazon Echo, Google Home, Tmall Genie .

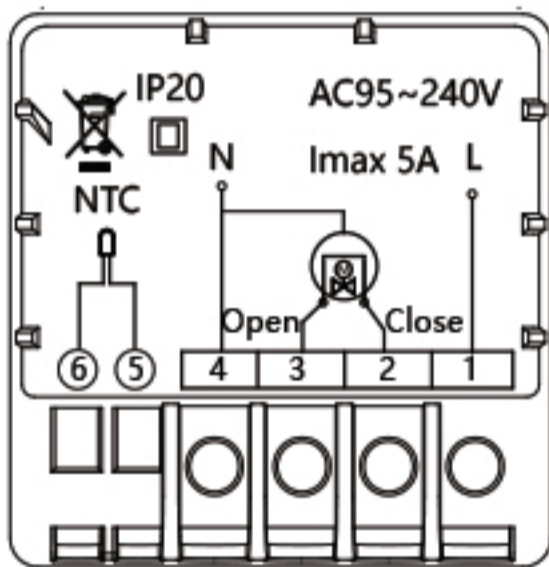
DIMENSION(mm)



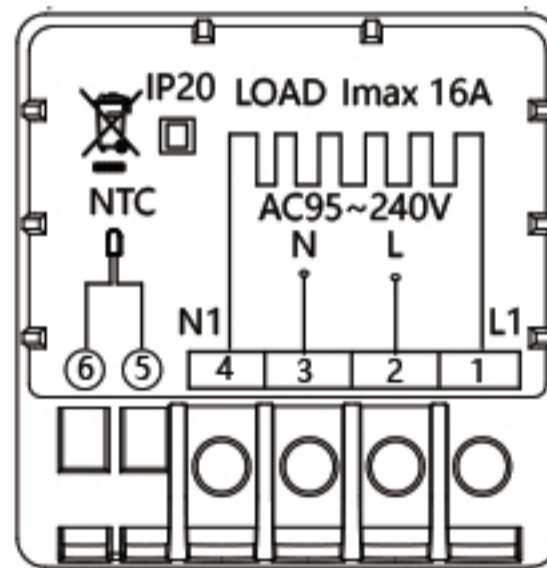
CAUTION !

**Electrical Shock or Equipment Damage Hazard.
Can shock individuals or cause short-circuit.
Disconnect power supply before installation.**

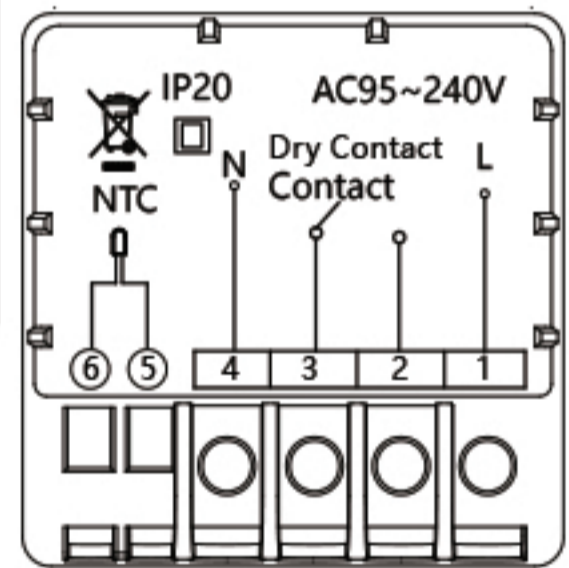
WIRING



HTWZ



HTEZ

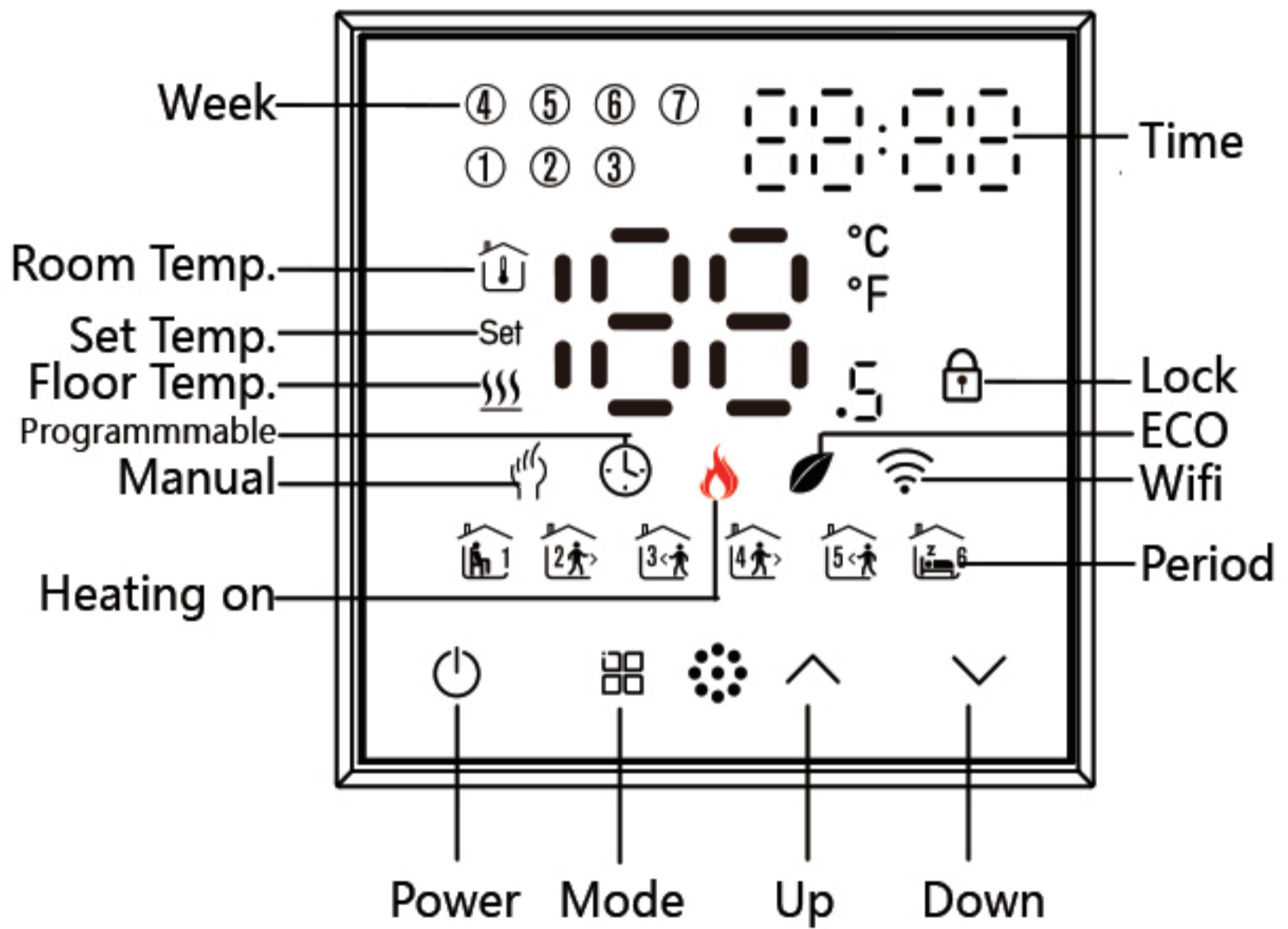


HTBZ

Note:

HTWZ is for water heating;
HTEZ is for electric heating;
HTBZ is for water/gas boiler;

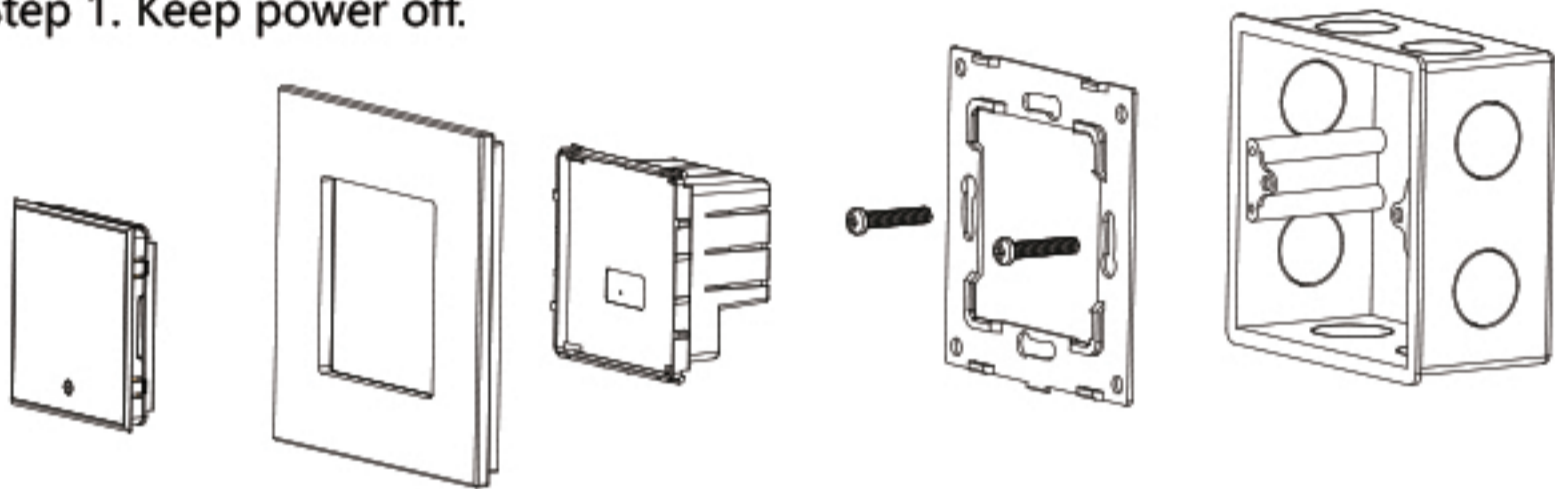
SHOW DESCRIPTION



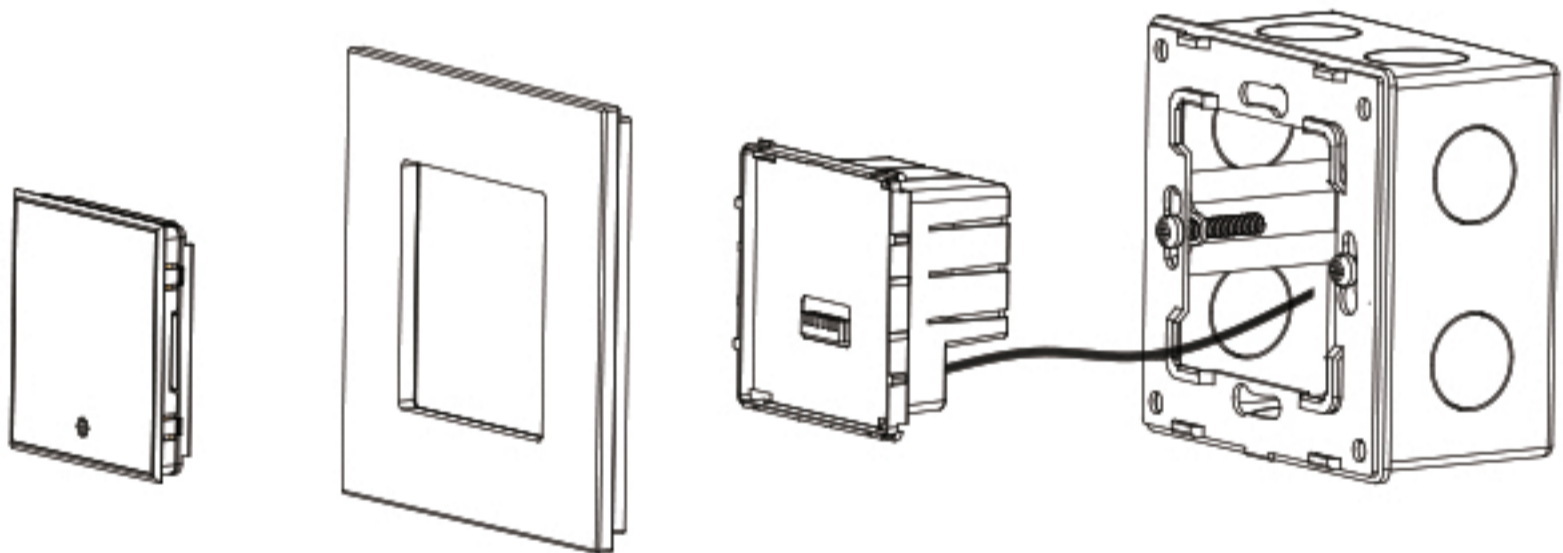
INSTALLATION

Your thermostat is suitable for installation within a standard 503 pattress box.

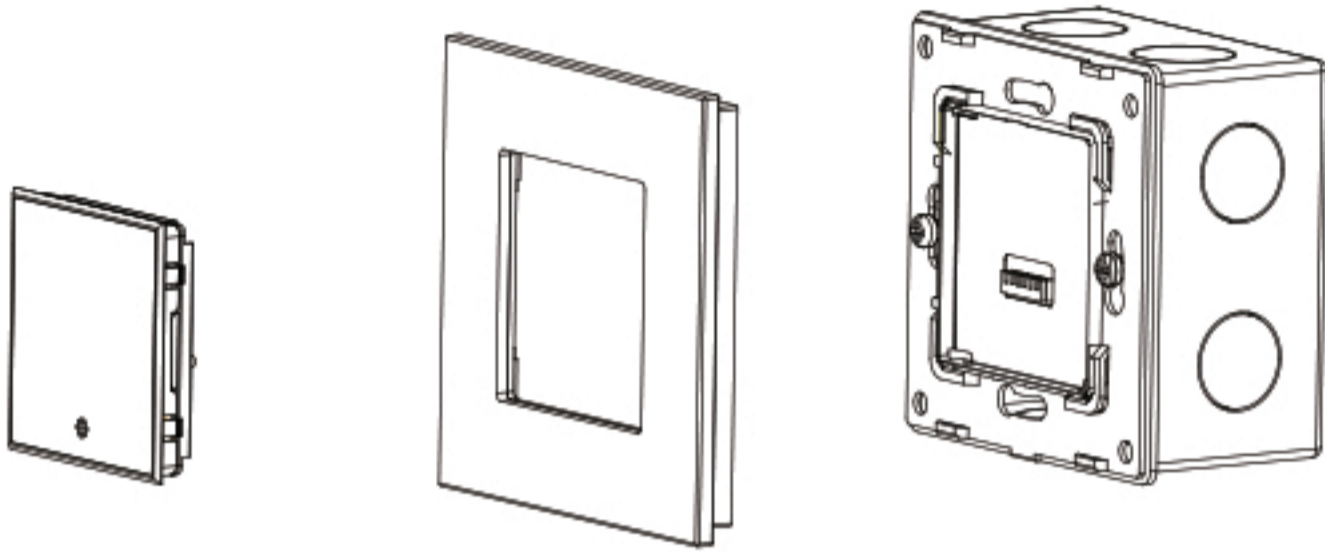
Step 1. Keep power off.



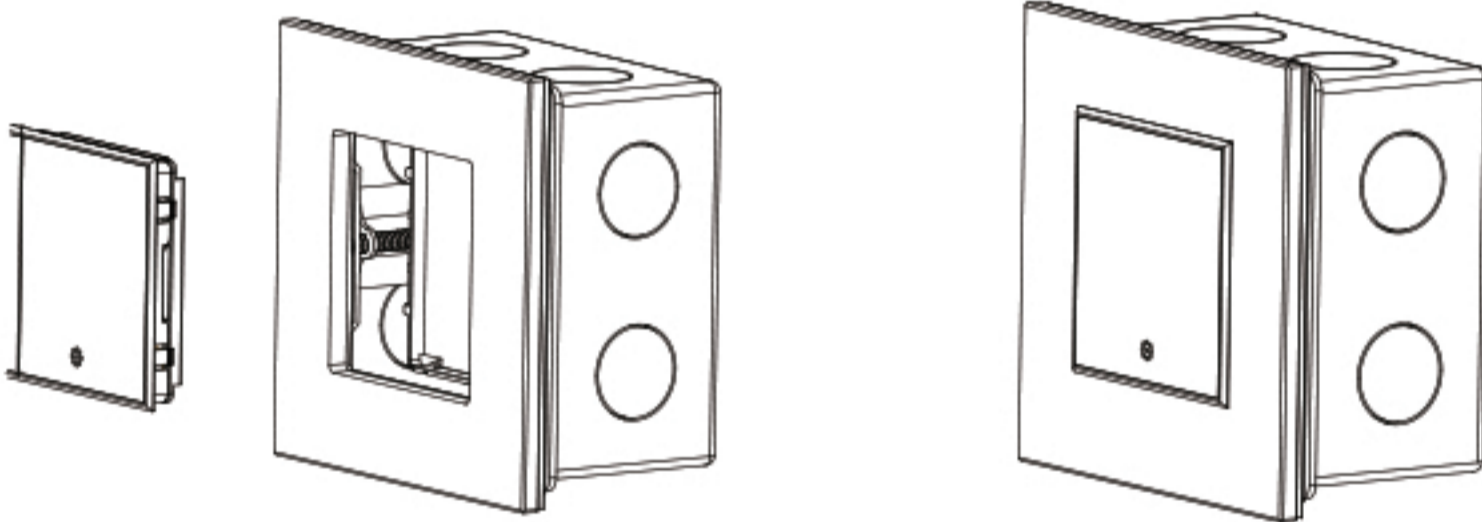
Step 2. Fasten the mounting plate with screws



Step 3. Connect power supply, load into the appropriate terminals.




Step 4. The power module is snapped into the mounting steel plate.






Step 5. Snap the glass panel onto the mounting plate

Step 6. Embed the display module on the glass panel. The installation is complete.

INSTRUCTIONS

1. Power On/off: Press  to turn the thermostat on/off.





2. Manual & Programmable

Touch  to change between manual mode and programmable mode. In the manual mode,  will display in the bottom of the screen. In programmable mode, the period icon  will show in the left side.

3. Setting Temperature

In programmable mode, the temperature can be temporarily set, and the temperature will be restored to the corresponding temperature in the programming mode in the next time period. In manual mode, the set temperature is permanently saved.

4. Adjusting/Setting the Clock


Touch and hold the icon  set minute, hour and weekday (1 = Monday, 2 = Tuesday etc.) by using the   arrows. Press  power off and on, the settings are saved.

Default settings for program schedule



Time display	A WEEK(MONDAY—SUDAY) (1 2 3 4 5 6 7 shows on screen)	
	TIME	TEMPERATURE
Period 1	06:00	20 °C
Period 2	11:30	20 °C
Period 3	13:30	20 °C
Period 4	17:30	20 °C

Use APP for one week of programming settings, please refer to the Zigbee connection instructions QR code.

7. Checking the Temperature of Floor Sensor

Press and hold the  for 5 seconds to display the temp. of floor sensor.

8. Setting the Functions and Options

When power is off, press and hold  for 3 sec. in order to reach system function. Then press  to change the different items
All the settings will confirm automatically when power is on.

Code	Function	Settingandoptions	Default
1	Temperature compensation	-9 to 9 °C	-6
2	Deadzone Temp.	1-5 °C	1
3	Button Locking	00:All buttons are locked except power button. 01:All buttons are locked.	1
4	Sensor typer	In: Internal Sensor (to control the temp.) Ou: External Sensor (to control the temp.) AL: Internal&External Sensor (Internal sensor to control the temp., external sensor to limit the temp.)	AL
5	Min.Set Temp.	5-15 °C	5
6	Max.Set Temp.	15-45 °C	35
7	Temp.display	00:Display set Temp. and Room Temp. 01:Only display set Temp.splay	0
8	Low temp. protection setting.	0-10 °C	0
9	High temp.protection setting.	10-70 °C	45
A	Standby Brightness	3-99	4
B	Temp. protection(only for electric heating)	35-45 °C	40

Zigbee connection operation instructions

Before using the Zigbee thermostat for the first time, you must first install the "Smartlife" app and have connected the Zigbee smart gateway, and connect the thermostat through the zigbee gateway.

Install the APP (Figure 1-1)



Figure 1-1



Figure 1-2 IOS/AndroidS

Search for "Smartlife" in the Apple Store or Google Play or scan the QR code above with a browser (1-2), Complete the registration and installation according to the guidance of the APP.

For the specific steps of Zigbee connection, please scan the QR code below to get related videos.

