

TV02 Zigbee Thermostat Radiator Valve



User Guide

1. Information about this manual

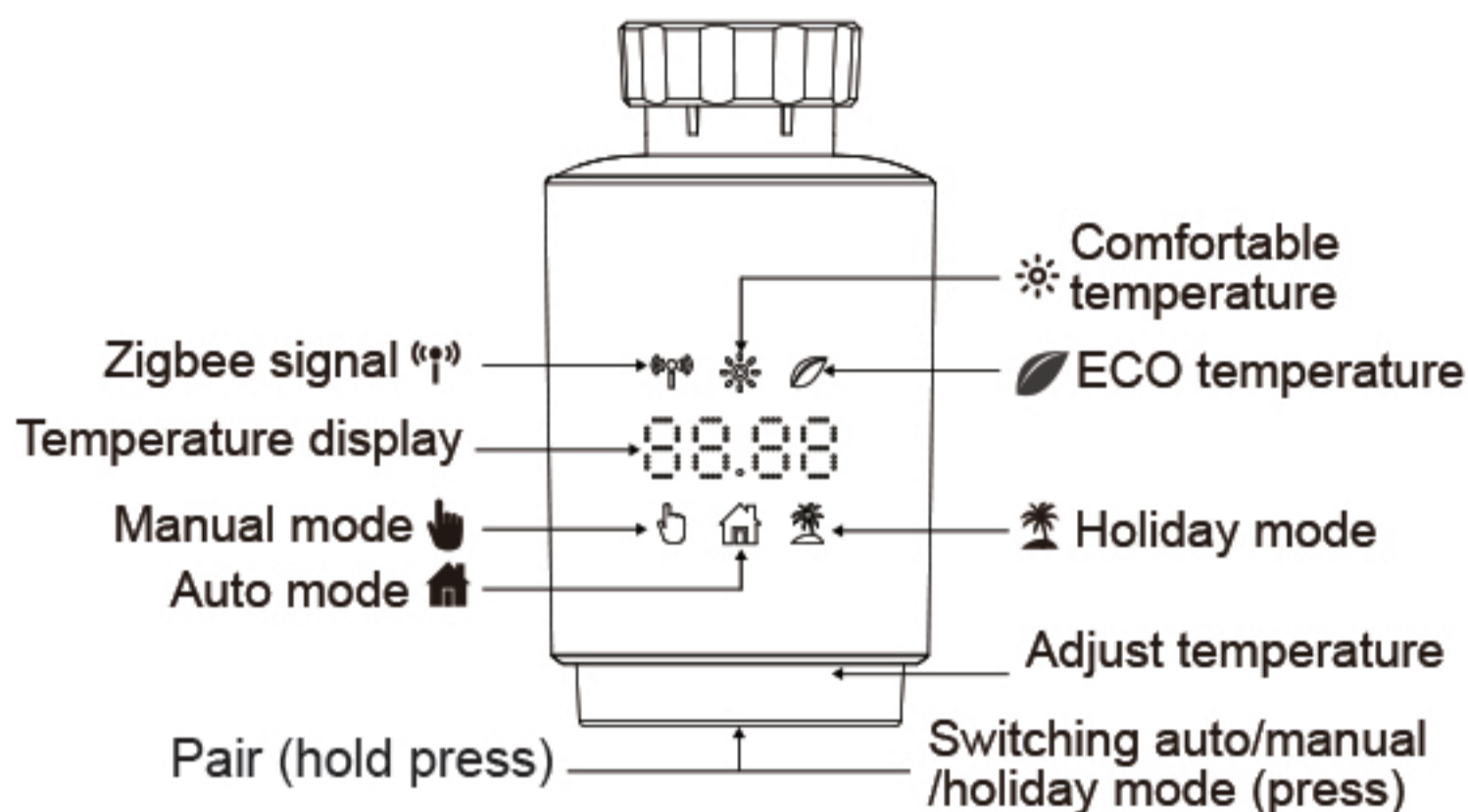
Please read this manual completely and carefully before starting to use the device. The manual contains important information about the intended use of the device. Especially observe the safety notes. Keep the manual for later consultation. If you hand over the device to other persons for use, please hand over the operating manual as well.

2. Product Description

Thermostatic radiator valve (TRV) is a self-regulating valve fitted to hot water heating system radiator, to control the temperature of a room by changing the flow of hot water to the radiator. With the TRV TV02 you can conveniently adjust the room temperature between 5-30°C, and save more than 15% of energy.

The radiator thermostat fits to all common radiator valves and is easy to mount-without having to drain any water or intervene in the heating system. The additional boost function enables the radiator to be heated up quickly for a brief period of time by opening the valve for 5 minutes. There will be a pleasant room temperature right away because of the radiated heat.

3. Device Overview



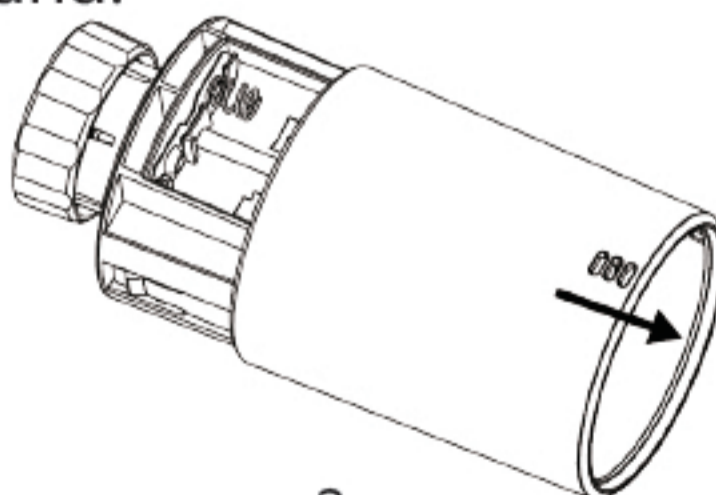
4. Start-up

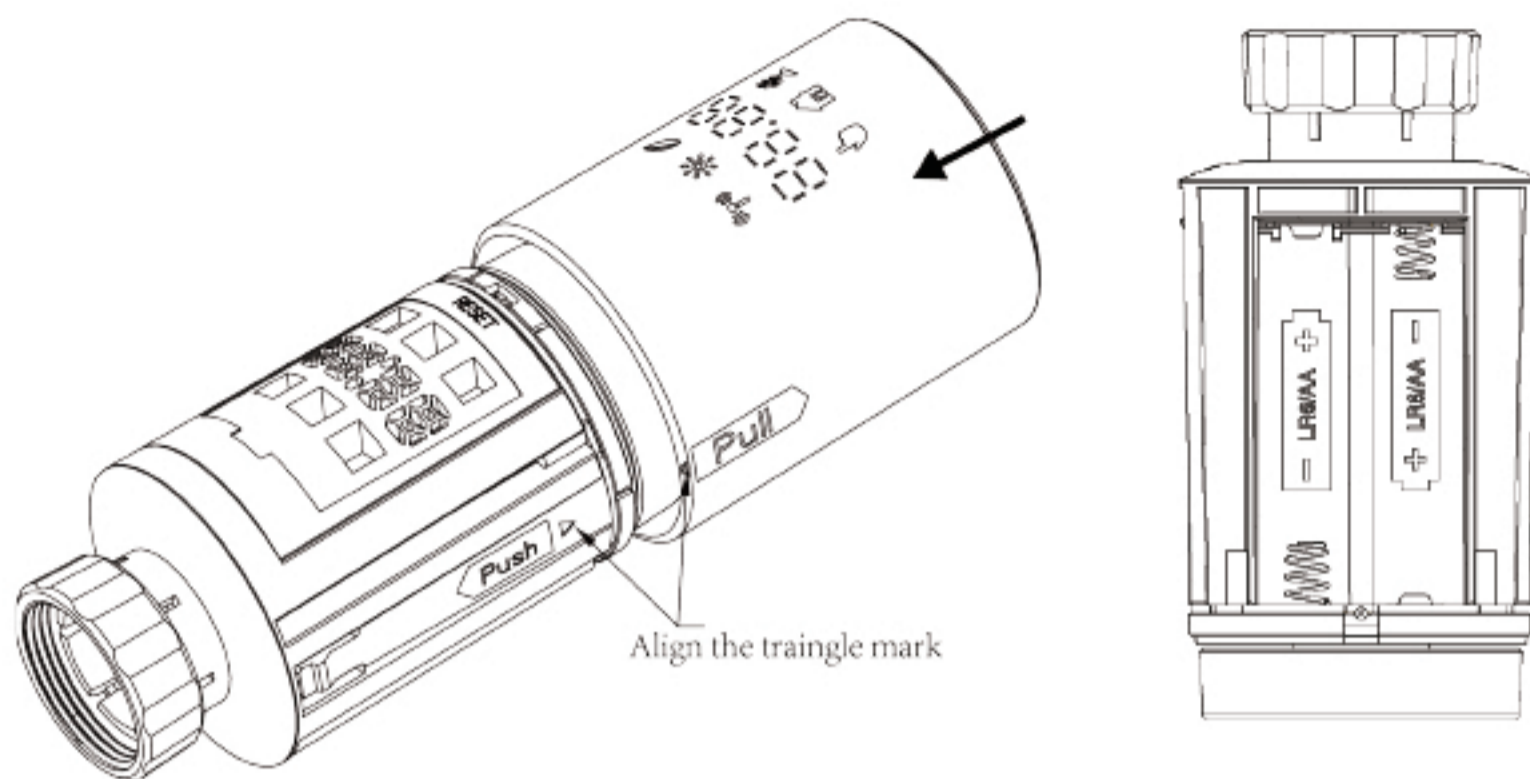
4.1 Before we get started

- 2 x AA batteries are required for TRV to work, please get prepared.
- Temperature is shown in degrees Celsius.

4.2 Inserting(replacing) batteries

- Insert 2 new LR6(mignon/AA) batteries in the battery compartment, making sure they are the right way round.






The service life of new alkaline batteries is approximately 1.5 years. A battery symbol (BAT) on the display indicates that the batteries need to be replaced. After removing the empty batteries, wait approx. 1 minute before inserting the new ones. This device does not support operation with rechargeable batteries.

4.3 Run adaptive

The display of 'InS' with the rotating 'n' shows that the motor is still travelling back.

- When 'AdA' is shown in the display, the radiator thermostat can be installed on the valve. After installation, press the pair button to run adaptive.
- The display of 'AdA' with the rotating 'n' shows that an adapting run to adapt the thermostat to the valve.

 If the adapting runs is initiated before installation, press pair button and the motor travels back to the ' InS ' position. If an error message(F1,F2,F3) is displayed, press the Pair/Boost button and the motor similarly travels back to the ' InS ' position.

5. Installation of the radiator thermostat

The radiator thermostat is easy to install and can be done without draining heating water or intervening in the heating system. No special tools are required, nor does the heating have to be switched off.

The ring nut attached to the radiator thermostat can be used universally and without accessories for all valves with a thread size of M30 x 1.5 from the most popular manufacturers such as:

- Danfoss
- Heimeier
- MNG
- Junkers
- Landis&Gyr (Duodyr)
- Honeywell-Braukmann
- Oventrop
- Schlösser
- Comap
- Valf Sanayii
- Mertik Maxitrol
- Watts
- Wingenroth (Wiroflex)
- R.B.M
- Tiemme
- Jaga
- Siemens
- Idmar54

By means of the adapters in the delivery, the device can be installed on radiator valves of type Danfoss RA, Danfoss RAV and Danfoss RAVL.

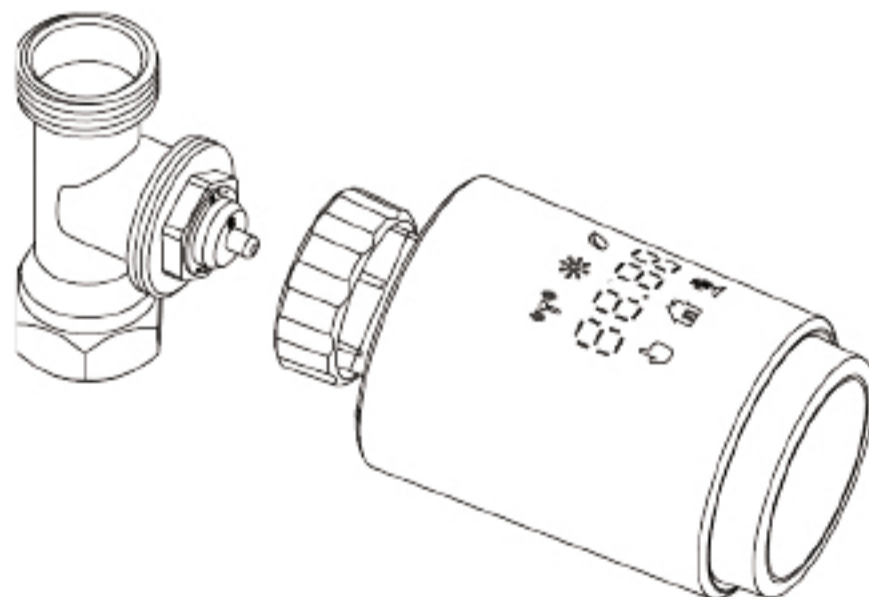
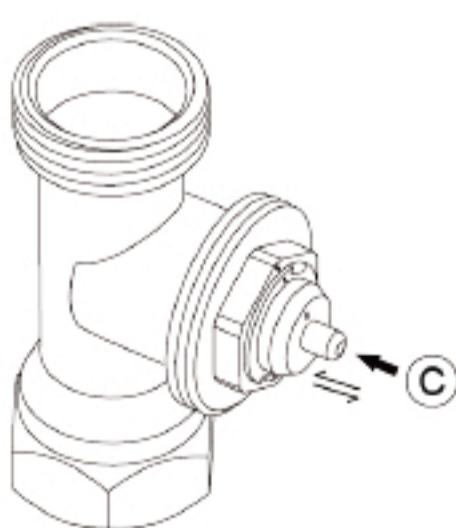
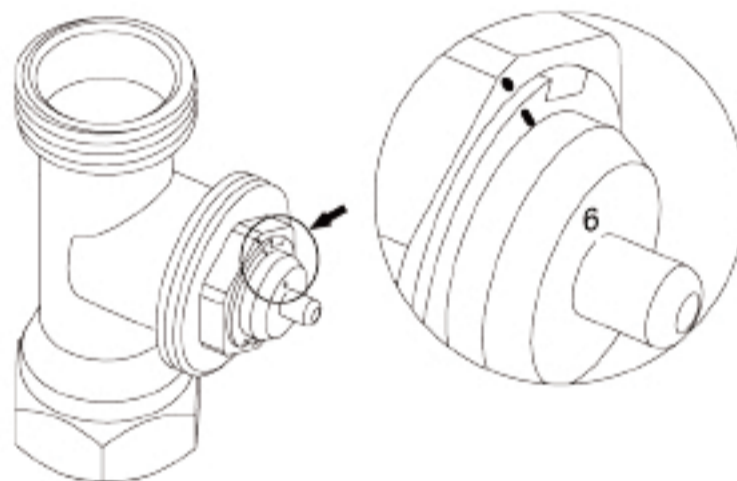
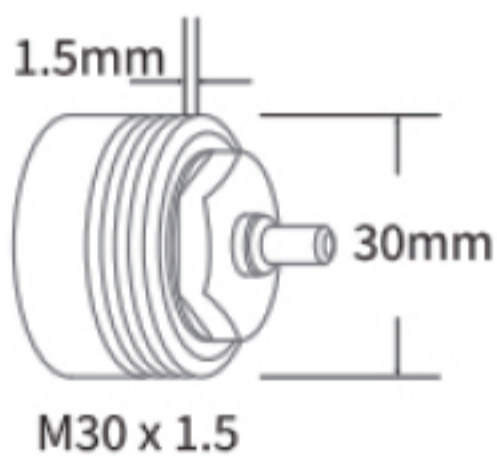
5.1 Unscrew your existing radiator thermostat

No worries, water will not leak during this process.

5.2 M30 x 1.5

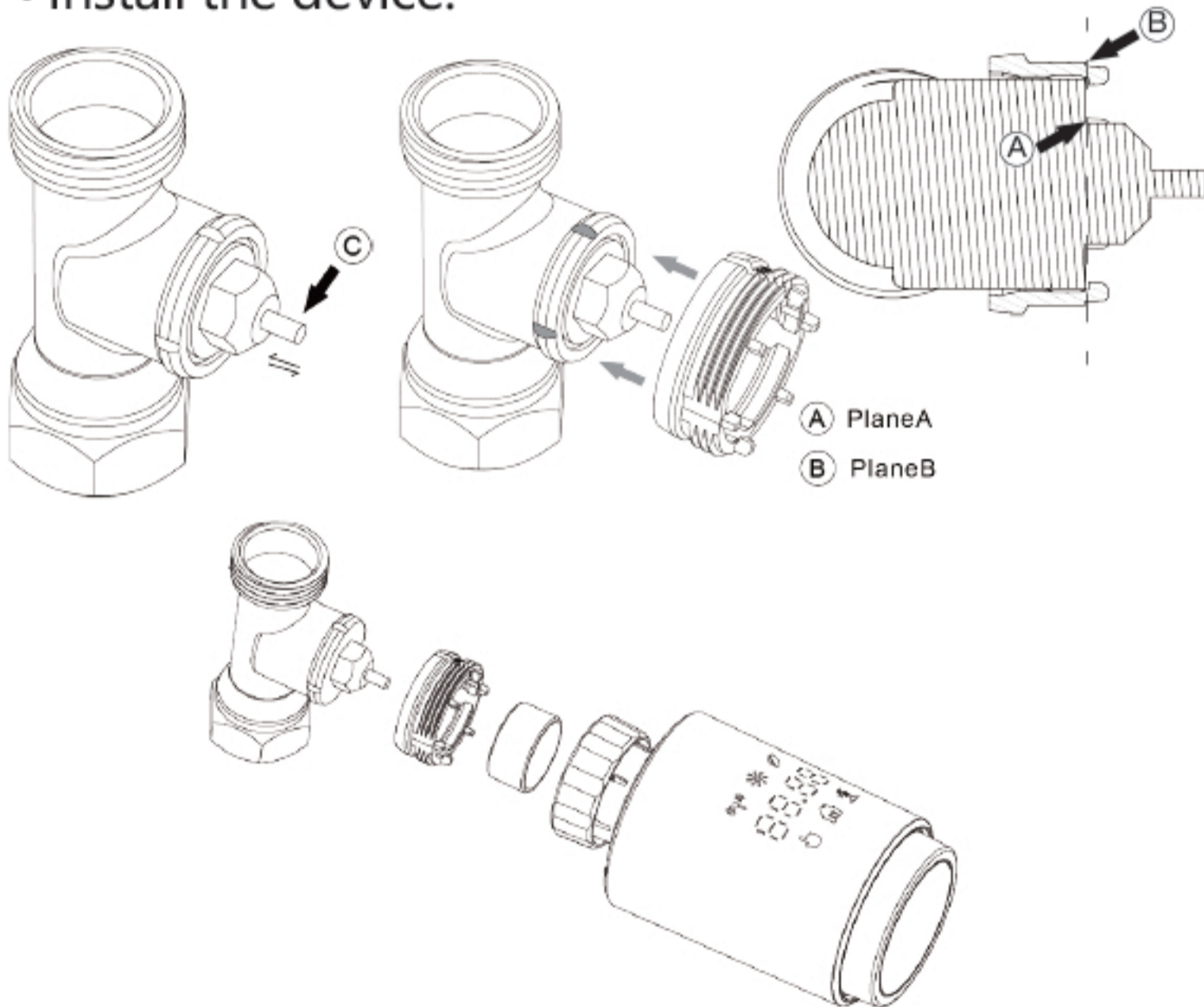
Screw the TV02 smart radiator thermostat directly onto the radiator if the connector type is M30 x 1.5 (picture shown as below). You can adjust the angle to make the led facing the viewer properly.

- Rotate the thermostat dial to the maximum value, the max value may be 6 or 8.
- Check the © is active.
- Install the device.



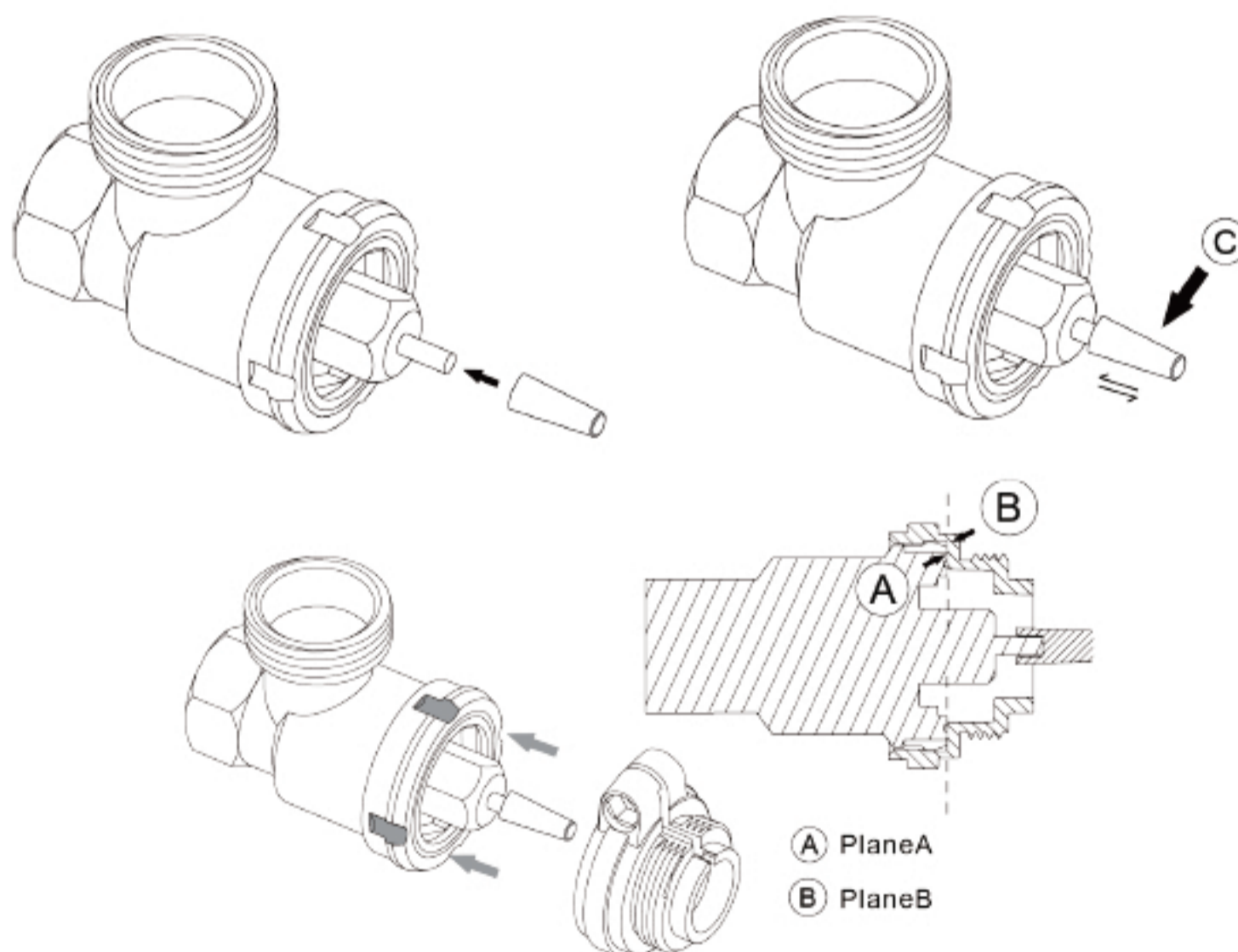
5.3 Danfoss RAVL Valve

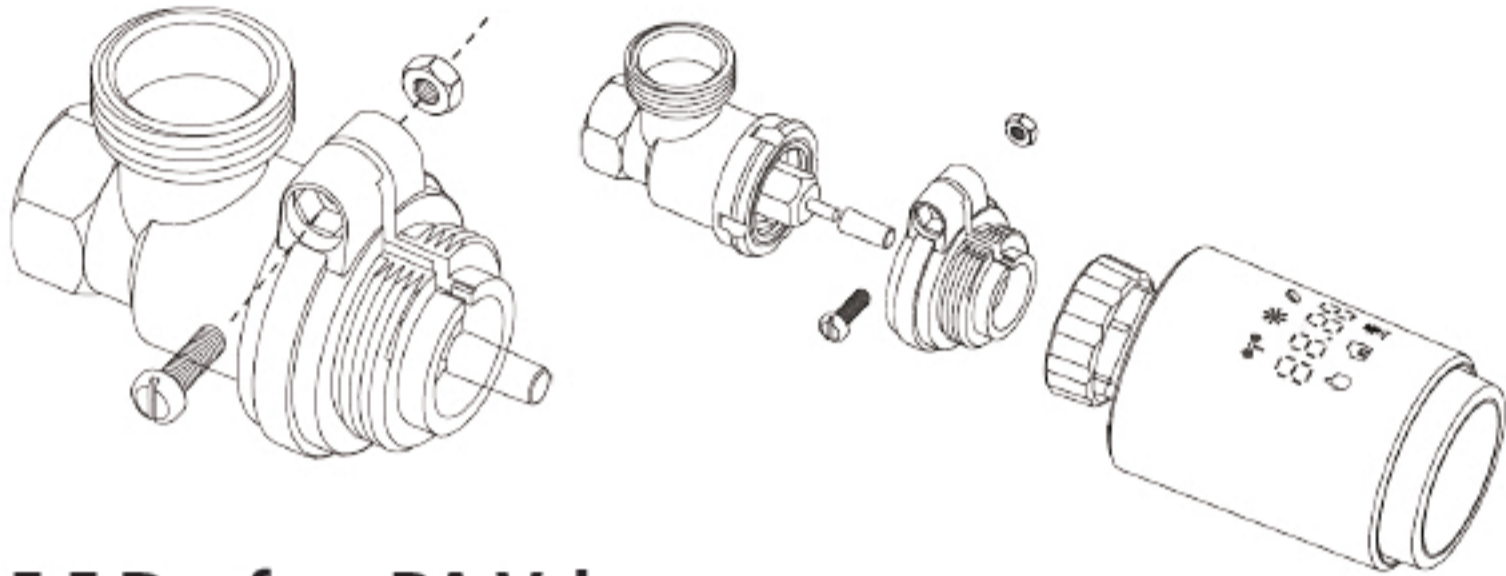
- Check the © is active.
- The valve bodied have elongated notches around their circumference, which ensure that the adapter is properly seated when it snaps on: snap on the adapter completely,so that the pins inside the adapter are lined up with the notches on the valve.
- Install the adapter,Plane A is aligned with Plane B.
- Install the round tube into the device.
- Install the device.



5.4 Danfoss RAV Valve

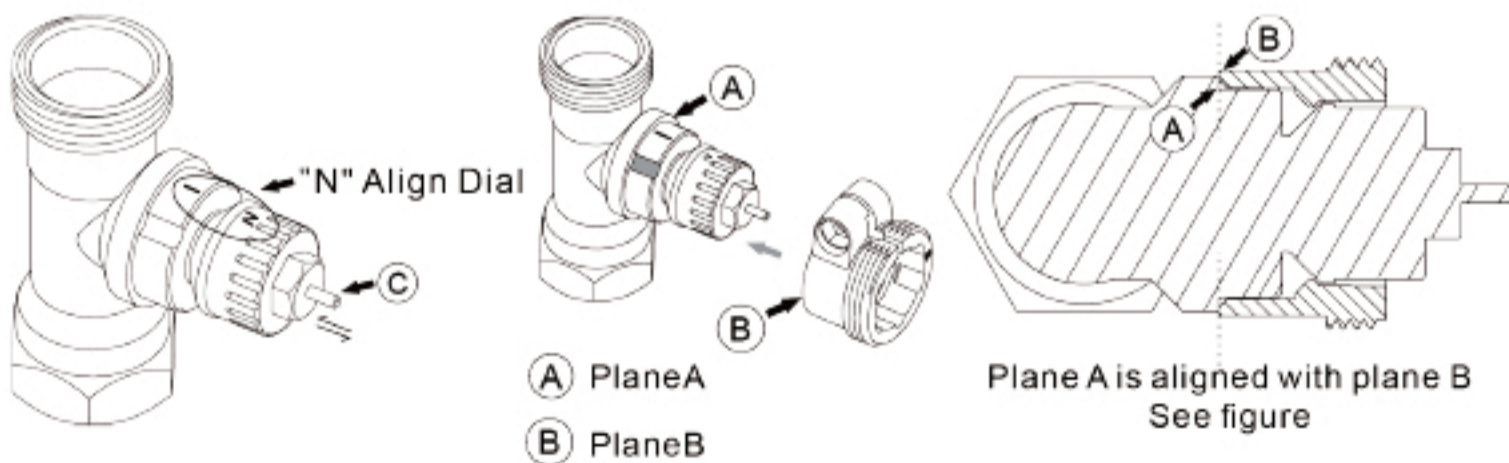
- Check the © is active.
- The valve bodied have elongated notches around their circumference, which ensure that the adapter is properly seated when it snaps on: snap on the adapter completely, so that the pins inside the adapter are lined up with the notches on the valve.
- Install the adapter, Plane A is aligned with Plane B.
- Union nut.
- Install the device.

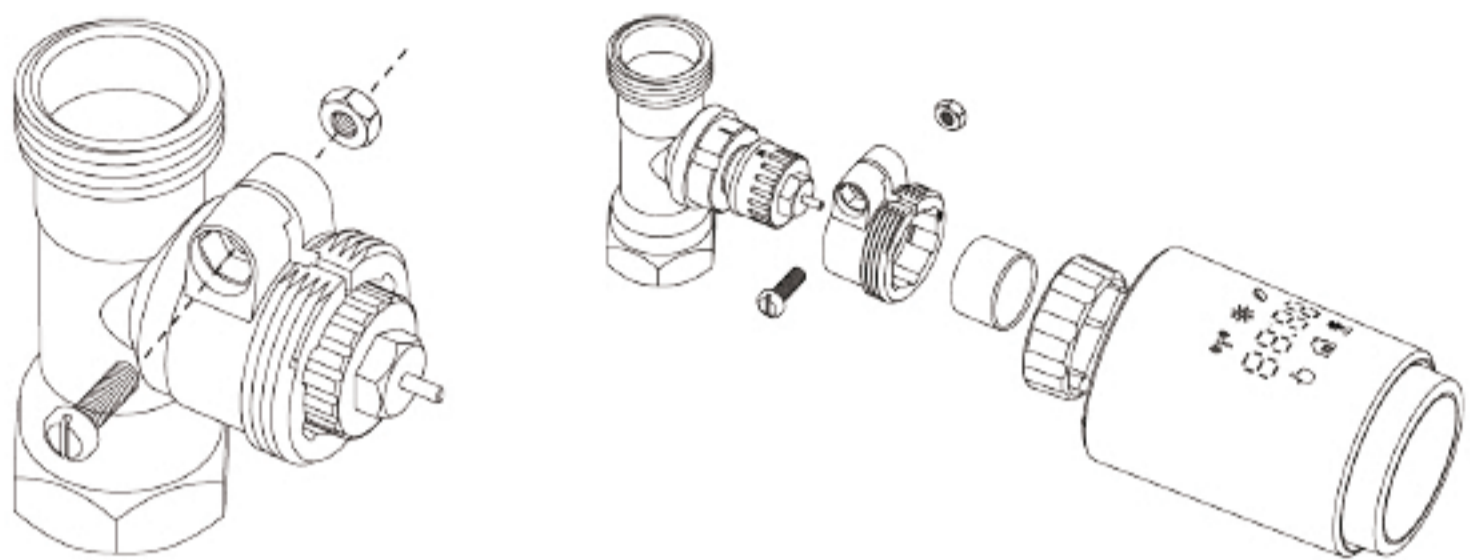




5.5 Danfoss RA Valve

- Rotate the thermostat dial to the maximum value, "N" Align Dial.
- Check the © is active.
- The valve bodied have elongated notches around their circumference, which ensure that the adapter is properly seated when it snaps on: snap on the adapter completely, so that the pins inside the adapter are lined up with the notches on the valve.
- Install the adapter, Plane A is aligned with Plane B.
- Union nut.
- Install the round tube into the device.
- Install the device.





6. Interface display

When you see the LED is showing information as below, the radiator thermostat is ready for configuration. If not, please uninstall and re-install the batteries and redo step 4.



7. Software Installation

7.1 Download App

- Download the Tuya Smart/Smart Life App for your mobile device from App Store or Google Play.



- Search for Tuya Smart/Smart Life.
- Download the Tuya Smart /Smart Life app.


7.2 Add Thermostat Radiator Valve

- Open Tuya Smart or Smart Life App, use your phone number or email address to register and login. Tap + on the top right, choose Gateway Control->Wireless Gateway (Zigbee) and simply follow the inbuilt setup wizard for device installation and configuration.
- After the Zigbee smart gateway hub is added successfully, you can add the sub-device on the gateway hub interface.
- Long press Pair button on the radiator thermostat for 5 seconds until the Zigbee signal icon flashed, which means the device has entered the pairing mode.
- The blue LED indicator of gateway hub flashes during pairing mode.
- When the radiator thermostat is successfully added, the blue LED indicator will extinguish within 1 second, the device Zigbee signal is always on.

8. Product features

8.1 Auto Mode


In automatic mode, the temperature is controlled in accordance with the set heating profile. Manual changes are activated until the next point at which the profile changes. Afterwards, the defined heating profile will be activated again. To activate the automatic mode, please proceed as follows:

- Press the pair button to select  icon.
- Default temperature: 17°C and 21°C.
- Temperature range: 5-30 °C, step: 0.5 °C.

App operation: Click the auto mode icon in the App control panel.

8.2 Manual Mode


In manual mode, the temperature is controlled in accordance with the current temperature set via knob button. The temperature remains activated until the next manual change. To activate the manual mode, please proceed as follows:

- Press the pair button to select  icon.
- Default temperature: 20°C.
- Temperature range: 5-30°C, step: 0.5 °C.

App operation: Click the manual mode icon in the App control panel.

8.3 Holiday Mode

When you go out or go to a party, you will use the holiday mode. The holiday mode will automatically start at the set time starting point and run the holiday temperature.

When the holiday mode is not activated, and you want to view the holiday mode settings, please press the pair button to view, the holiday mode icon () will flash for 5 seconds and then it will automatically return to the auto mode. If you want to end your holiday mode earlier, press the pair button to cancel.

App operation: Click the Mode icon in the App control panel, and switch to any other mode to cancel holiday mode.

8.4 Open Window Detection

The device automatically stop heating when it detects a sudden temperature drop (5°C in 5 minutes as default). This is usually caused by an opened window or door and the open window icon will display (OPEN) on the device. The device will operate according to the preset window. Press the pair button to cancel.

App operation: Click the open window icon in APP to cancel the window opening function.

The open window detection only operates in automatic mode and manual mode.

8.5 Offset Temperature

As the temperature is measured on the radiator thermostat, the temperature distribution can vary throughout a room. To adjust this, a temperature offset of ± 5 °C can be set. If a nominal temperature of e.g. 20 °C is set but the room presents with only 18 °C, an offset of -2°C needs to be set. In app settings, the offset temperature is 0 degrees by default. To adjust the offset temperature, please proceed as follows:

App operation: Click the offset icon (\pm) in settings.

8.6 Eco and Comfortable Temperature

The comfort and Eco temperature icon makes switching between comfort and Eco temperature simple and user friendly. These have been set at the factory at 21°C (comfort temperature) and 17°C (Eco temperature).

App operation: Click the Comfortable() / Eco() temperature icon in the App control panel to select the corresponding temperature mode.

Even in auto mode, the temperature can be changed at any time using the button. It will then remain the same until the next point at which the program changes.

8.7 Child Lock

Operation of the device can be locked to avoid settings being changed unintended(e.g. through involuntary touch). To activate/deactivate the child lock, please proceed as follows:

App operation: Click the child lock icon in the App settings screen. The device display "LOC" .

8.8 Anti-Freezing Mode

You can use this function when you go out in winter or when you are not at home for a long time. When this function is activated, the temperature in the house is kept at 8 °C ,the device display "AF".press the pair button to cancel.

App operation: Click the anti-freezing icon(❄) to turn on/off the function in the App settings screen.

Note: Once this function is activated, other functions are not available unless the function is deactivated.

8.9 Heating Stop (Power Saving) Mode

Battery life can be prolonged by switching the heating off. To achieve this, the valve is closed fully. To activate the heating stop, the device display "HS" ,press the pair button to cancel. please proceed as follows:

App operation: Click the Heating stop icon(🛑)to turn on/off the function in the App settings screen.

Note: Once the function is activated, other functions are not available unless the function is deactivated.

8.10 Anti-Calcification (Descaling) Protection


The equipment will automatically run for a period of time every week to prevent calcification of the valve.

8.11 Boost

Sometimes people go home earlier than usual, and the rapid heating function will make you feel the warmth of the room faster. When activated, the valve will be fully opened for 5 minutes. The heating of a room takes longer than 5 minutes, but the heat given off by the radiator can be felt immediately.

The boost function is activated . The remaining time for the function will be counted down in seconds ('299' to '000').

After these 5 minutes have elapsed, the actuator changes to the mode which was previously active (auto/manual) with the previously set temperature. End this function ahead of time, press the pair button to cancel.

App operation: Select the mode of APP interface to activate the boost .Click the Boost icon () in the App control panel to cancel the boost function.

9. Setting

Click the settings icon() in the App control panel.

9.1 Date

When the device is successfully paired with the phone, the device time is synchronized with the phone time.

9.2 Week Programming Stage

In this menu item, you can create a heating profile with heating and cooling phases according to your personal needs. You can set up to ten stages of temperature every day. The factory default is five stages.

Click the week programming stage icon () in the App control panel.

Select single days of the week, all weekdays, the weekend or the entire week for your heating profile.

Click time to select the end time of each period, and click temperature to select the required temperature.

Time range: 00:00-24:00, step: 10 minutes.

Temperature range: 5-30 °C, step: 0.5 °C.


9.3 Open Window

Click the open window icon () in the App settings screen.

Select the desired temperature.

Temperature range: 5-30°C, step: 0.5°C.


9.4 Comfortable Temperature

Click the comfortable temperature icon () in the App settings screen.

Select the desired temperature.

Temperature range: 5-30 °C, step: 0.5 °C.

9.5 ECO Temperature

Click the ECO temperature icon () in the App settings screen.

Select the desired temperature.

Temperature range: 5-30 °C, step: 0.5 °C.


9.6 Offset

Click the Offset temperature icon (\pm) in the App settings screen.

Select the desired temperature.

Temperature range: -5-5 °C, step: 0.1 °C.

9.7 Holiday Setting

Click the holiday mode icon () in the App settings screen.

Select the end date and the start date.

Select the desired temperature.

Temperature range: 5-30 °C, step: 0.5 °C.

10. Voice Control

10.1 Amazon Alexa

Amazon Alexa is an intelligent personal assistant developed by Amazon, and is capable of voice interaction. Smart radiator thermostat works with Alexa to allow you to regulate the temperature of each room in your system by using a wake-word and an instruction. The wake-word is "Alexa" followed by an instruction such as "increase temperature." Currently, Amazon has made interaction and communication with Alexa only available in English.

Alexa requires explicit instructions. You must inform Alexa of the room to which you wish to address followed by an instruction, such as "increase temperature." If no specific room is mentioned, Alexa will ask you which room you want to address, and then will increase the setpoint temperature by 1°C only based on the room reply from you. If you want the setpoint temperature to increase by 4°C in the living room, you must explicitly state to Alexa to "increase the temperature in the living room by 4°C."

Note: If Alexa is asked to increase the temperature by 2°C, then Alexa will add 2°C to your set-point. If the ambient temperature is already >2°C above the current set-point then the actual temperature will not change and smart radiator thermostat will not turn the heating ON.

Example: If the current set-point is 16°C, the current room temperature is 19°C and you ask Alexa to increase the temperature by 2°C - the current set-point will change to 18°C but the heating will not start because the room temperature is already higher than 18°C.

Common commands for Alexa

Listed below are common commands used with Alexa:

- Discover Devices: "Alexa, discover devices."
- Reduce Temperature: "Alexa, decrease the DEVICE NAME by 4 degrees" / "Alexa, make it cooler in here."
- Increase Temperature: "Alexa, increase the DEVICE NAME by 3 degrees" / "Alexa, make it warmer in here."
- Set Temperature: "Alexa, set the DEVICE NAME to 20 degrees."
- Get Temperature: "Alexa, what is the DEVICE NAME temperature?"
- Get Set Point: "Alexa, what is the upstairs set to?"

Note: Alexa considers the smart thermostat and room names as the devices.

10.2 Google Home

Google Home is a brand of smart speakers that work similarly to Amazon Echo.

Google's intelligent PA, Google Assistant, is equivalent to Amazon's Alexa.

Google Home is also available on all Android devices and does not require the use of the 'Smart Speakers' .

The user can speak a profusion of commands to request information, or ask the Google Assistant to perform an action such as play music, video playback, report news, access home automation. All of this can all be controlled from a Google Home device.

Common commands for Google Home

Listed below are common commands used with Google Home:

- Discover Devices: "Hey Google, discover devices."
- Reduce Temperature: "Hey Google, decrease the DEVICE NAME by 4 degrees" / "Hey Google, make it cooler in here."
- Increase Temperature: "Hey Google, increase the DEVICE NAME by 3 degrees" / "Hey Google, make it warmer in here."
- Set Temperature: "Hey Google, set the DEVICE NAME to 20 degrees."
- Get Temperature: "Hey Google, what is the DEVICE NAME temperature?"
- Get Set Point: "Hey Google, what is the upstairs set to?"

Note: Google home considers the smart thermostat and room names as the devices.

11. Set an automation scenarios linkage

If you have a door sensor installed in your home, then you can realize an automation scenarios linkage between TRV and door sensor.

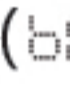

Under "Automation" in the "Smart" page, click "+" on the upper right corner, you will see a page called

- Create Smart that will guide you through the setting.
- Here, we take When device status changes setting.
- After you click When device status changes, you will see all the devices you added to the Tuya Smart app.
- Select Smart Door Sensor->Select Function-> Smart Door Sensor->ON/OFF->Set up Task-> Run the device->TRV-> Open Window Detection->ON/OFF->Save->Next->Save.
- A prompt box "Automation created.Start using it?" will pop up, select " Yes" , you can see all the automation scenarios you' ve created.

When the door/window sensor is opened, the Tuya Smart app interface will pop up a message that the door/window sensor is turned on, and an()icon will appear on the TRV device interface.

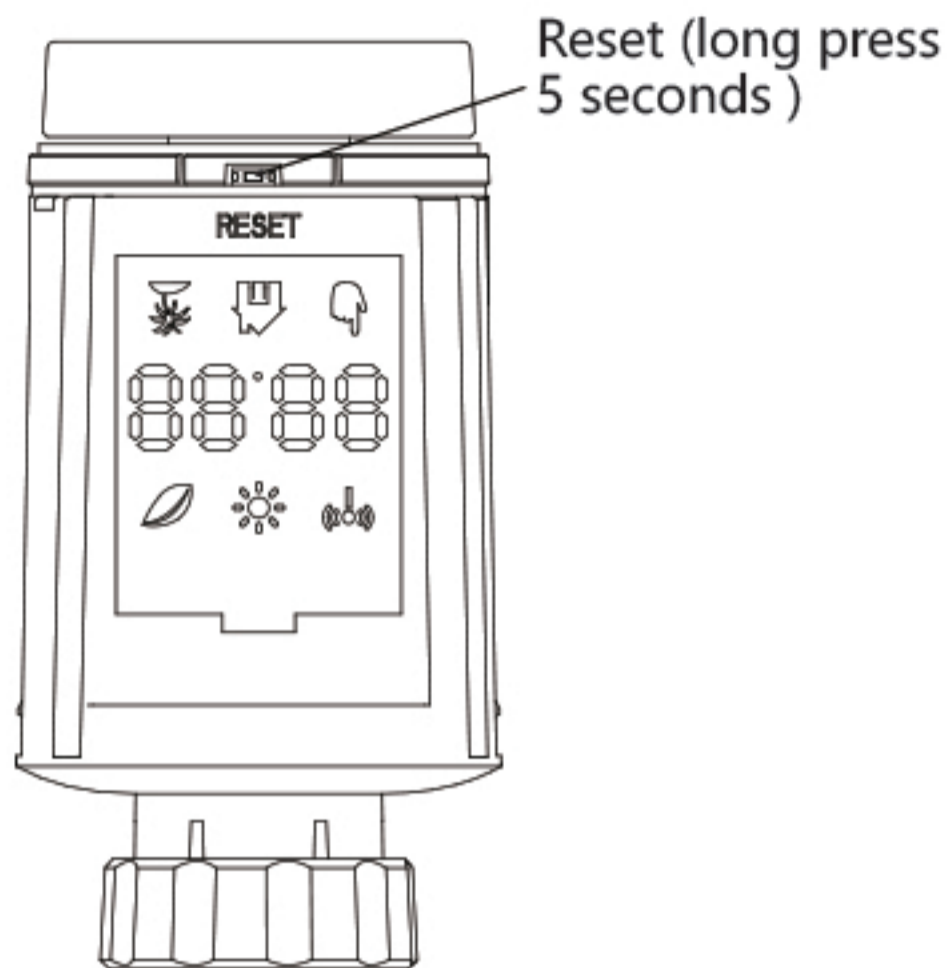
When the door/window sensor is closed, the Tuya Smart app interface will pop up a message that the door/window sensor is turned off, and an () icon will disappear on the TRV device interface.

12. Low Battery

When the battery power is less than 12%, the low power prompt icon () will be displayed. Please replace the battery as soon as possible, When the the device only displays () the device is not available.

13. Reset

Press the reset buttons for 5 seconds, the device will display "FAC" . The device run reset. After the device runs reset, the data will not be saved, the device needs to be repaired.



14. Troubleshooting and Maintenance

Error code on display	Problem	Solution
Low <code>bat</code> Battery	Battery output too low	Replace batteries
F1	Valve drive sluggish	Check installation, check the heating valve
F2	Actuating range too wide	Please check the fastening of the radiator thermostat
F3	Adjustment range too small	Please check whether the valve pin is stuck

15. Technical Data

Batteries: 2x 1.5 V LR6/mignon/AA

temperature range: 5-30°C

Display: LED

Maximum radiated power: 10dBm

Dimensions(W x H x D): 56.5*56.5*100 mm

Weight: 140g(nincl.batteries)

Working temperature: -10°C- 40°C

Working environment: Indoor

Safety :CE/ROHS

Frequency: 2.4GHz

Degree of protection: Ip20

Battery life: 1.5 years

16. Package Contents

1 Zigbee Radiator Thermostat


1 Adapters for Danfoss(RA,RAV and RAVL)


1 Screw for adapter

1 User Manual

17. Instructions for Disposal

Do not dispose of the device with regular domestic waste! Electronic equipment must be disposed of at local collection points for waste electronic equipment in compliance with the Waste Electrical and Electronic Equipment Directive.

 The device is not a toy, do not allow children to play with it. Do not leave packaging material lying around. Plastic films/bags, pieces of polystyrene, etc. can be dangerous in the hands of a child.

 Used batteries should not be disposed of with regular domestic waste! Instead, take them to your local battery disposal point.

This device complies with the EN62368/EN300328/EN301489 of the CE Rules.

This device complies with the ROHS 2.0 Rules.